

WATERWAY AREA = 10.5 sf

NOTES:

- 1. DIMENSIONS ARE SHOWN TO THE INSIDE OF THE CORRUGATION CRESTS.
- 2. DIMENSIONS ARE SUBJECT TO MANUFACTURING TOLERANCES.
- 3. PLATE LAYOUT WILL BE DETERMINED BY MANUFACTURER.
- 4. ALL REINFORCING PER MANUFACTURERS REQUIREMENTS.

LANE ENTERPRISES, INC.

STEEL STRUCTURAL PLATE

ARCH CULVERT DETAIL

5'-0" x 2'-7 1/2"

AC-S-5.00-1

1 OF 1

5/5/08

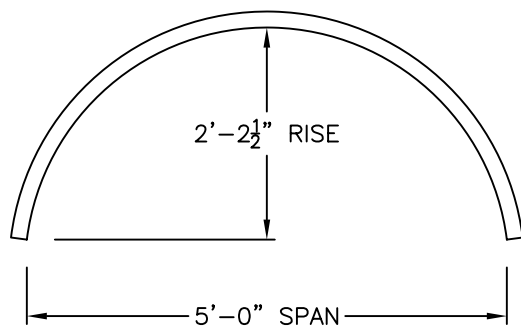
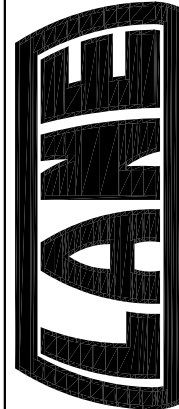
JCH

Drawing Number:

Page Number:

Date Drawn:

Drawn By:



WATERWAY AREA = 8.5 sf

NOTES:

- 1. DIMENSIONS ARE SHOWN TO THE INSIDE OF THE CORRUGATION CRESTS.
- 2. DIMENSIONS ARE SUBJECT TO MANUFACTURING TOLERANCES.
- 3. PLATE LAYOUT WILL BE DETERMINED BY MANUFACTURER.
- 4. ALL REINFORCING PER MANUFACTURERS REQUIREMENTS.

LANE ENTERPRISES, INC.

STEEL STRUCTURAL PLATE

ARCH CULVERT DETAIL

5'-0" x 2'-2 1/2"

AC-S-5.00-2

1 OF 1

5/5/08

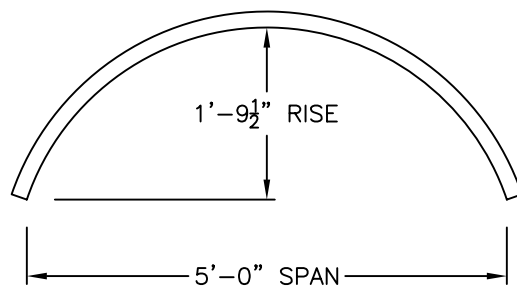
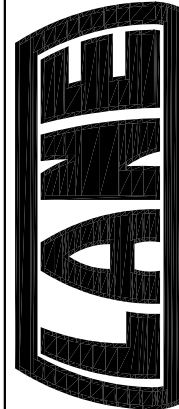
JCH

Drawing Number:

Page Number:

Date Drawn:

Drawn By:



WATERWAY AREA = 6.5 sf

NOTES:

- 1. DIMENSIONS ARE SHOWN TO THE INSIDE OF THE CORRUGATION CRESTS.
- 2. DIMENSIONS ARE SUBJECT TO MANUFACTURING TOLERANCES.
- 3. PLATE LAYOUT WILL BE DETERMINED BY MANUFACTURER.
- 4. ALL REINFORCING PER MANUFACTURERS REQUIREMENTS.

LANE ENTERPRISES, INC.

STEEL STRUCTURAL PLATE

ARCH CULVERT DETAIL

5'-0" x 1'-9 1/2"

AC-S-5.00-3

1 OF 1

5/5/08

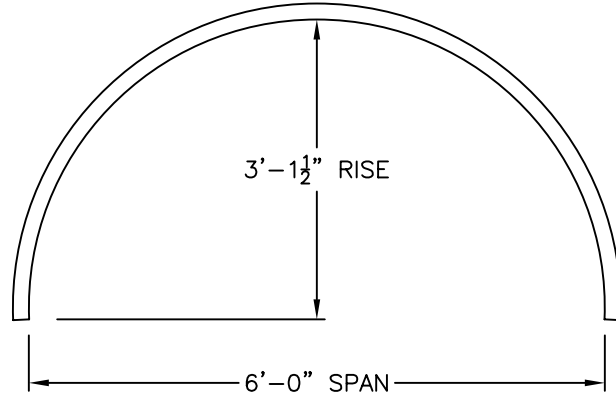
JCH

Drawing Number:

Page Number:

Date Drawn:

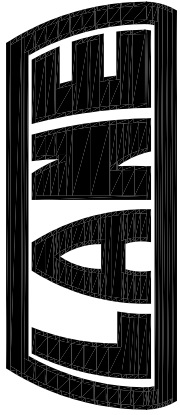
Drawn By:



WATERWAY AREA = 15.0 sf

NOTES:

1. DIMENSIONS ARE SHOWN TO THE INSIDE OF THE CORRUGATION CRESTS.
2. DIMENSIONS ARE SUBJECT TO MANUFACTURING TOLERANCES.
3. PLATE LAYOUT WILL BE DETERMINED BY MANUFACTURER.
4. ALL REINFORCING PER MANUFACTURERS REQUIREMENTS.



LANE ENTERPRISES, INC.

STEEL STRUCTURAL PLATE

ARCH CULVERT DETAIL

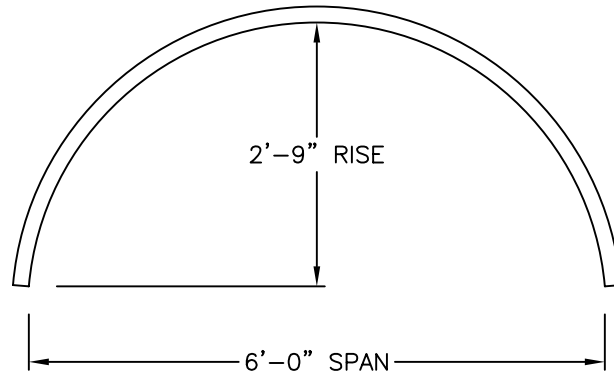
6'-0" x 3'-1 1/2"

Drawing Number: AC-S-6.00-1

Page Number: 1 OF 1

Date Drawn: 5/5/08

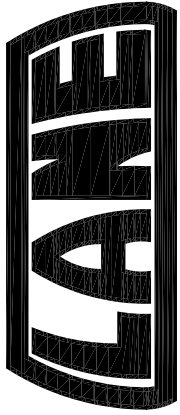
Drawn By: JCH



WATERWAY AREA = 12.5 sf

NOTES:

1. DIMENSIONS ARE SHOWN TO THE INSIDE OF THE CORRUGATION CRESTS.
2. DIMENSIONS ARE SUBJECT TO MANUFACTURING TOLERANCES.
3. PLATE LAYOUT WILL BE DETERMINED BY MANUFACTURER.
4. ALL REINFORCING PER MANUFACTURERS REQUIREMENTS.



LANE ENTERPRISES, INC.

STEEL STRUCTURAL PLATE

ARCH CULVERT DETAIL

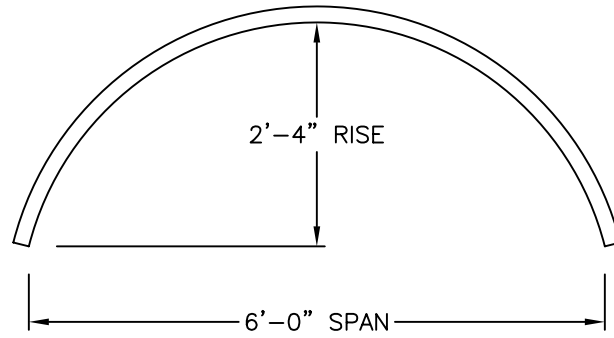
6'-0" x 2'-9"

Drawing Number: AC-S-6.00-2

Page Number: 1 OF 1

Date Drawn: 5/5/08

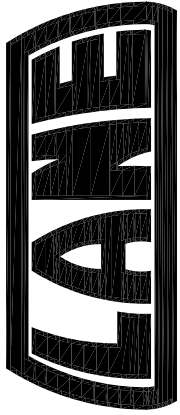
Drawn By: JCH



WATERWAY AREA = 10.0 sf

NOTES:

1. DIMENSIONS ARE SHOWN TO THE INSIDE OF THE CORRUGATION CRESTS.
2. DIMENSIONS ARE SUBJECT TO MANUFACTURING TOLERANCES.
3. PLATE LAYOUT WILL BE DETERMINED BY MANUFACTURER.
4. ALL REINFORCING PER MANUFACTURERS REQUIREMENTS.



LANE ENTERPRISES, INC.

STEEL STRUCTURAL PLATE

ARCH CULVERT DETAIL

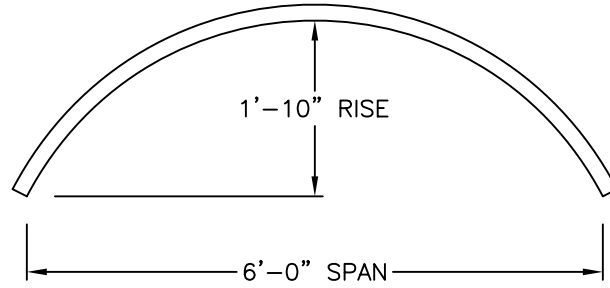
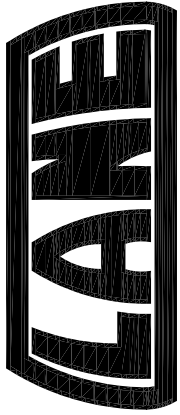
6'-0" x 2'-4"

Drawing Number: AC-S-6.00-3

Page Number: 1 OF 1

Date Drawn: 5/5/08

Drawn By: JCH



WATERWAY AREA = 7.5 sf

NOTES:

1. DIMENSIONS ARE SHOWN TO THE INSIDE OF THE CORRUGATION CRESTS.
2. DIMENSIONS ARE SUBJECT TO MANUFACTURING TOLERANCES.
3. PLATE LAYOUT WILL BE DETERMINED BY MANUFACTURER.
4. ALL REINFORCING PER MANUFACTURERS REQUIREMENTS.

LANE ENTERPRISES, INC.

STEEL STRUCTURAL PLATE

ARCH CULVERT DETAIL

6'-0" x 1'-10"

AC-S-6.00-4

1 OF 1

5/5/08

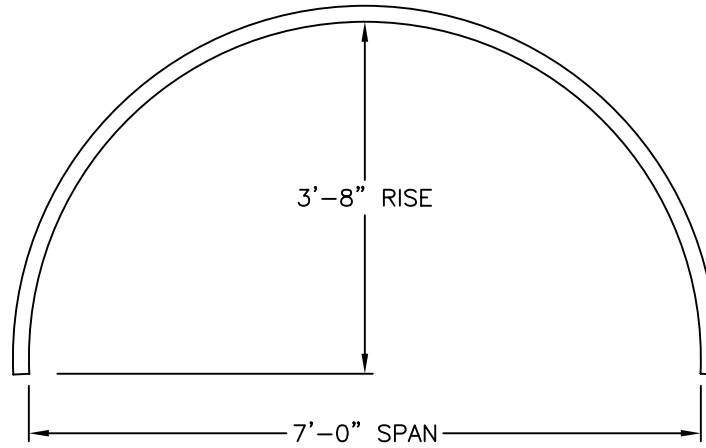
JCH

Drawing Number:

Page Number:

Date Drawn:

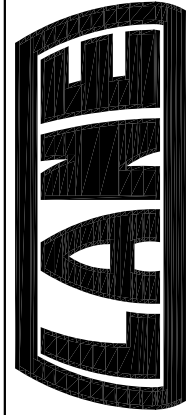
Drawn By:



WATERWAY AREA = 20.0 sf

NOTES:

1. DIMENSIONS ARE SHOWN TO THE INSIDE OF THE CORRUGATION CRESTS.
2. DIMENSIONS ARE SUBJECT TO MANUFACTURING TOLERANCES.
3. PLATE LAYOUT WILL BE DETERMINED BY MANUFACTURER.
4. ALL REINFORCING PER MANUFACTURERS REQUIREMENTS.



LANE ENTERPRISES, INC.

STEEL STRUCTURAL PLATE

ARCH CULVERT DETAIL

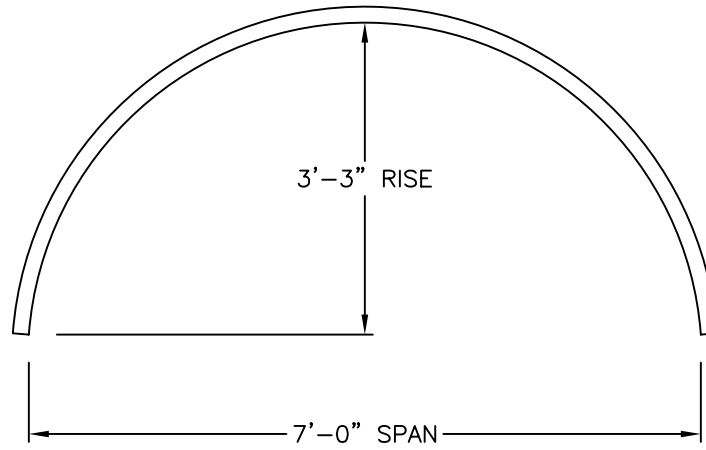
7'-0" x 3'-8"

Drawing Number: AC-S-7.00-1

Page Number: 1 OF 1

Date Drawn: 5/5/08

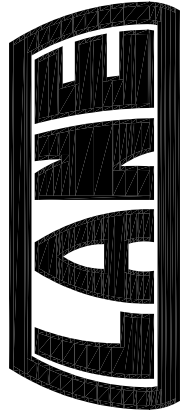
Drawn By: JCH



WATERWAY AREA = 17.5 sf

NOTES:

1. DIMENSIONS ARE SHOWN TO THE INSIDE OF THE CORRUGATION CRESTS.
2. DIMENSIONS ARE SUBJECT TO MANUFACTURING TOLERANCES.
3. PLATE LAYOUT WILL BE DETERMINED BY MANUFACTURER.
4. ALL REINFORCING PER MANUFACTURERS REQUIREMENTS.



LANE ENTERPRISES, INC.

STEEL STRUCTURAL PLATE

ARCH CULVERT DETAIL

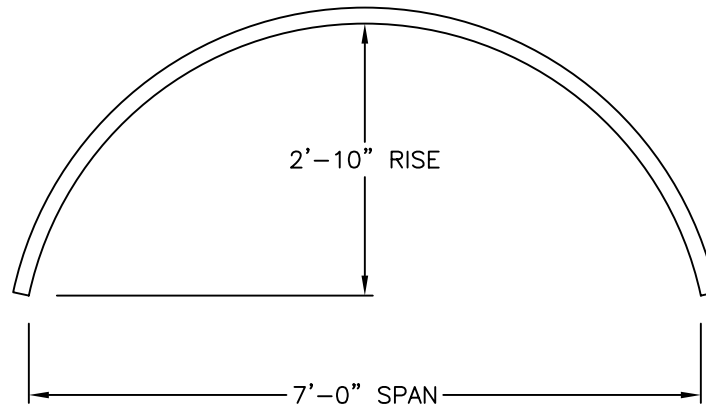
7'-0" x 3'-3"

Drawing Number: AC-S-7.00-2

Page Number: 1 OF 1

Date Drawn: 5/5/08

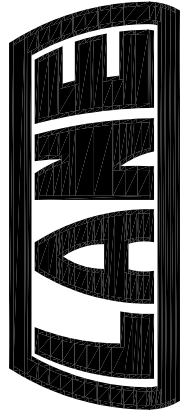
Drawn By: JCH



WATERWAY AREA = 15.0 sf

NOTES:

1. DIMENSIONS ARE SHOWN TO THE INSIDE OF THE CORRUGATION CRESTS.
2. DIMENSIONS ARE SUBJECT TO MANUFACTURING TOLERANCES.
3. PLATE LAYOUT WILL BE DETERMINED BY MANUFACTURER.
4. ALL REINFORCING PER MANUFACTURERS REQUIREMENTS.



LANE ENTERPRISES, INC.

STEEL STRUCTURAL PLATE

ARCH CULVERT DETAIL

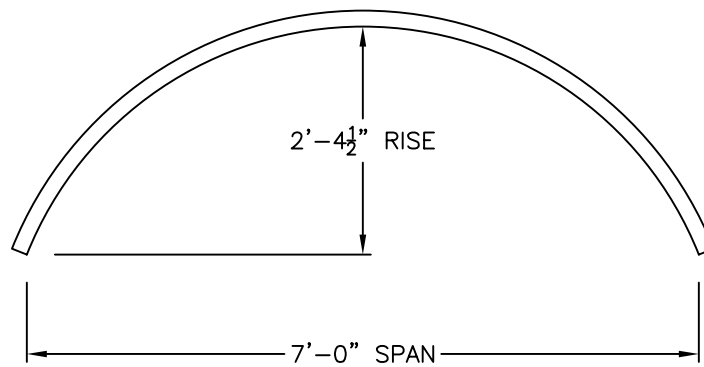
7'-0" x 2'-10"

Drawing Number: AC-S-7.00-3

Page Number: 1 OF 1

Date Drawn: 5/5/08

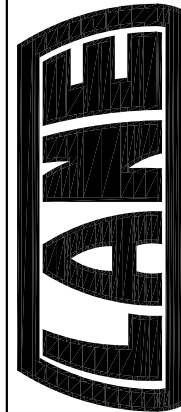
Drawn By: JCH



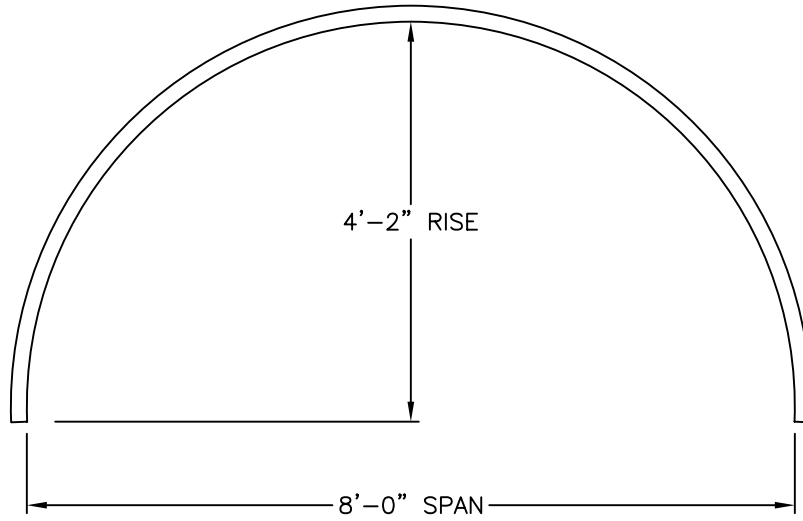
WATERWAY AREA = 12.0 sf

NOTES:

1. DIMENSIONS ARE SHOWN TO THE INSIDE OF THE CORRUGATION CRESTS.
2. DIMENSIONS ARE SUBJECT TO MANUFACTURING TOLERANCES.
3. PLATE LAYOUT WILL BE DETERMINED BY MANUFACTURER.
4. ALL REINFORCING PER MANUFACTURERS REQUIREMENTS.



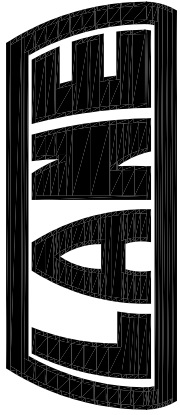
Drawing Number:	AC-S-7.00-4	LANE ENTERPRISES, INC.
Page Number:	1 OF 1	STEEL STRUCTURAL PLATE
Date Drawn:	5/5/08	ARCH CULVERT DETAIL
Drawn By:	JCH	7'-0" x 2'-4 1/2"



WATERWAY AREA = 26.5 sf

NOTES:

1. DIMENSIONS ARE SHOWN TO THE INSIDE OF THE CORRUGATION CRESTS.
2. DIMENSIONS ARE SUBJECT TO MANUFACTURING TOLERANCES.
3. PLATE LAYOUT WILL BE DETERMINED BY MANUFACTURER.
4. ALL REINFORCING PER MANUFACTURERS REQUIREMENTS.



LANE ENTERPRISES, INC.

STEEL STRUCTURAL PLATE

ARCH CULVERT DETAIL

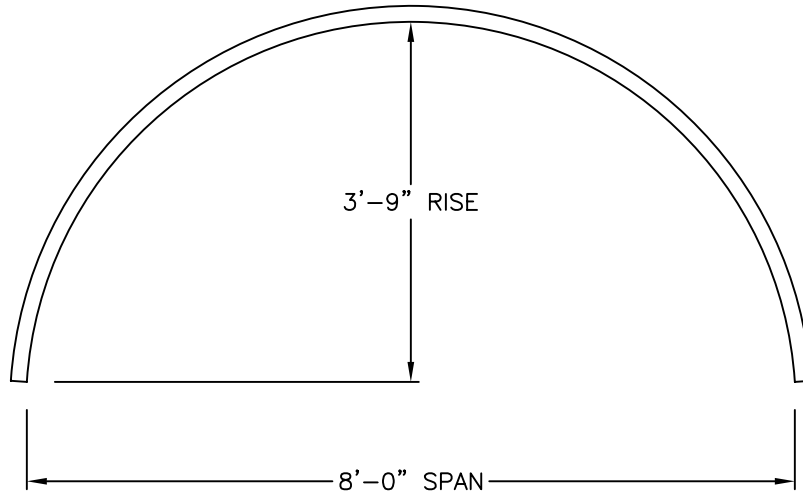
8'-0" x 4'-2"

Drawing Number: AC-S-8.00-1

Page Number: 1 OF 1

Date Drawn: 5/5/08

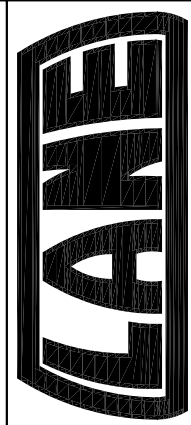
Drawn By: JCH



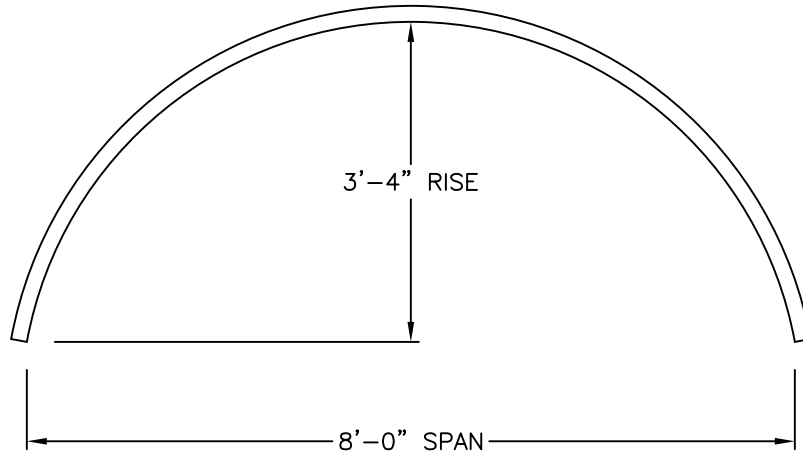
WATERWAY AREA = 23.5 sf

NOTES:

1. DIMENSIONS ARE SHOWN TO THE INSIDE OF THE CORRUGATION CRESTS.
2. DIMENSIONS ARE SUBJECT TO MANUFACTURING TOLERANCES.
3. PLATE LAYOUT WILL BE DETERMINED BY MANUFACTURER.
4. ALL REINFORCING PER MANUFACTURERS REQUIREMENTS.

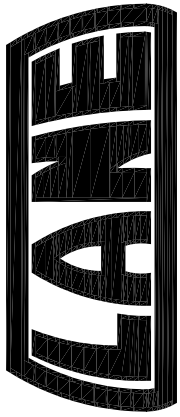


Drawing Number:	AC-S-8.00-2	LANE ENTERPRISES, INC.
Page Number:	1 OF 1	STEEL STRUCTURAL PLATE
Date Drawn:	5/5/08	ARCH CULVERT DETAIL
Drawn By:	JCH	8'-0" x 3'-9"



WATERWAY AREA = 20.0 sf

- NOTES:**
1. DIMENSIONS ARE SHOWN TO THE INSIDE OF THE CORRUGATION CRESTS.
 2. DIMENSIONS ARE SUBJECT TO MANUFACTURING TOLERANCES.
 3. PLATE LAYOUT WILL BE DETERMINED BY MANUFACTURER.
 4. ALL REINFORCING PER MANUFACTURERS REQUIREMENTS.



LANE ENTERPRISES, INC.

STEEL STRUCTURAL PLATE

ARCH CULVERT DETAIL

8'-0" x 3'-4"

AC-S-8.00-3

1 OF 1

5/5/08

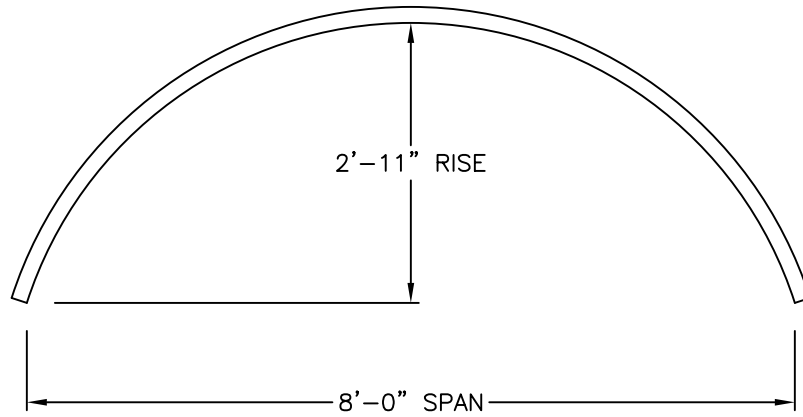
JCH

Drawing Number:

Page Number:

Date Drawn:

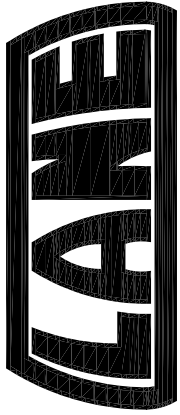
Drawn By:



WATERWAY AREA = 17.0 sf

NOTES:

1. DIMENSIONS ARE SHOWN TO THE INSIDE OF THE CORRUGATION CRESTS.
2. DIMENSIONS ARE SUBJECT TO MANUFACTURING TOLERANCES.
3. PLATE LAYOUT WILL BE DETERMINED BY MANUFACTURER.
4. ALL REINFORCING PER MANUFACTURERS REQUIREMENTS.



LANE ENTERPRISES, INC.

STEEL STRUCTURAL PLATE

ARCH CULVERT DETAIL

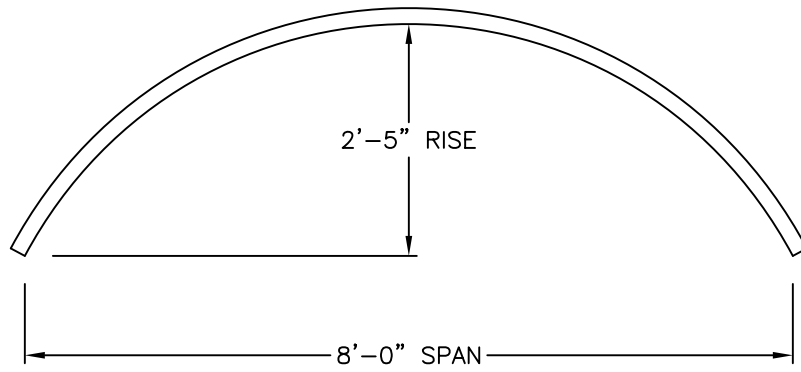
8'-0" x 2'-11"

Drawing Number: AC-S-8.00-4

Page Number: 1 OF 1

Date Drawn: 5/5/08

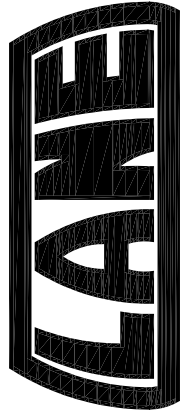
Drawn By: JCH



WATERWAY AREA = 13.5 sf

NOTES:

1. DIMENSIONS ARE SHOWN TO THE INSIDE OF THE CORRUGATION CRESTS.
2. DIMENSIONS ARE SUBJECT TO MANUFACTURING TOLERANCES.
3. PLATE LAYOUT WILL BE DETERMINED BY MANUFACTURER.
4. ALL REINFORCING PER MANUFACTURERS REQUIREMENTS.



LANE ENTERPRISES, INC.

STEEL STRUCTURAL PLATE

ARCH CULVERT DETAIL

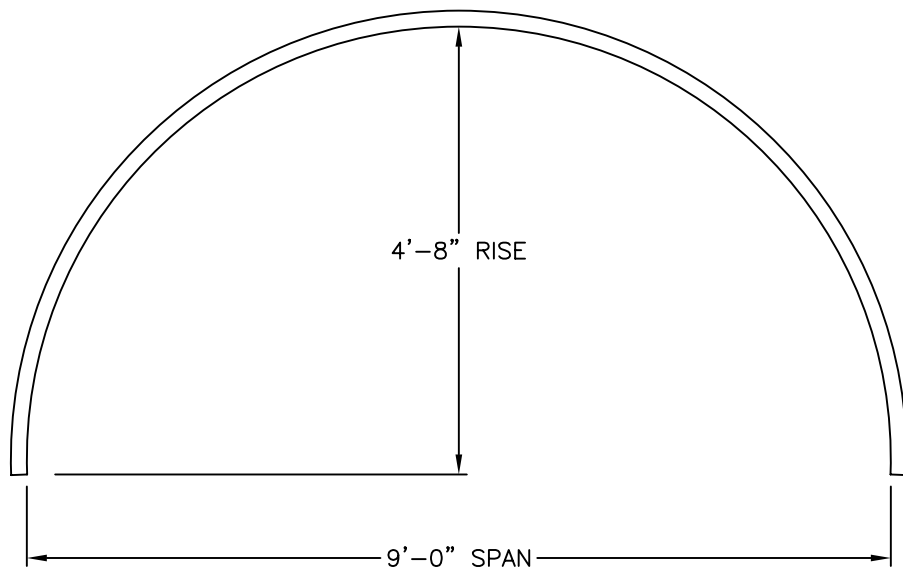
8'-0" x 2'-5"

Drawing Number: AC-S-8.00-5

Page Number: 1 OF 1

Date Drawn: 5/5/08

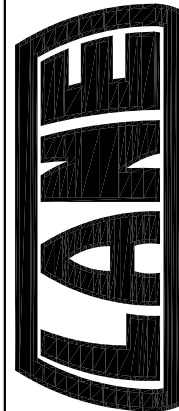
Drawn By: JCH



WATERWAY AREA = 33.5 sf

NOTES:

1. DIMENSIONS ARE SHOWN TO THE INSIDE OF THE CORRUGATION CRESTS.
2. DIMENSIONS ARE SUBJECT TO MANUFACTURING TOLERANCES.
3. PLATE LAYOUT WILL BE DETERMINED BY MANUFACTURER.
4. ALL REINFORCING PER MANUFACTURERS REQUIREMENTS.



LANE ENTERPRISES, INC.

STEEL STRUCTURAL PLATE

ARCH CULVERT DETAIL

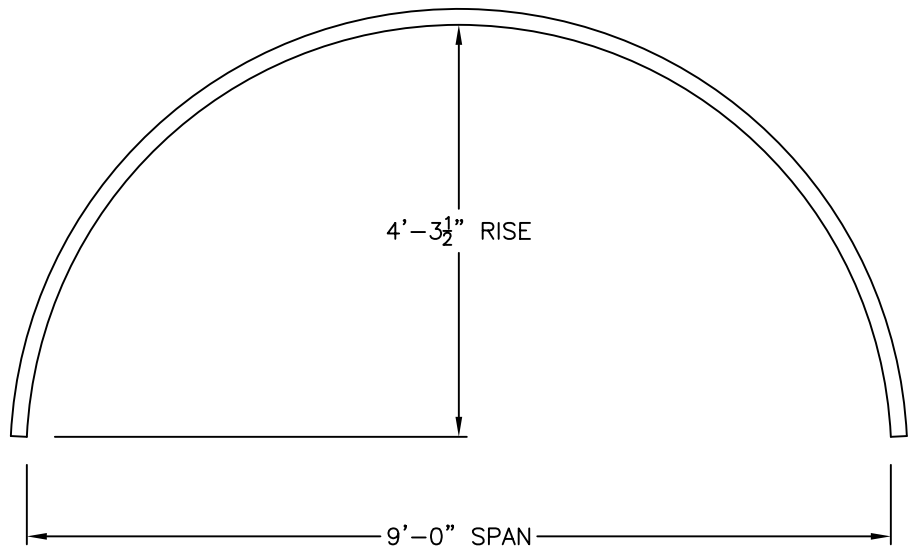
9'-0" x 4'-8"

Drawing Number: AC-S-9.00-1

Page Number: 1 OF 1

Date Drawn: 5/5/08

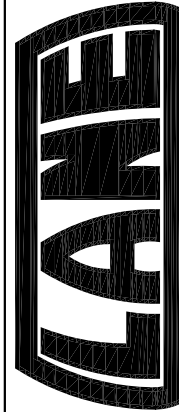
Drawn By: JCH



WATERWAY AREA = 30.0 sf

NOTES:

1. DIMENSIONS ARE SHOWN TO THE INSIDE OF THE CORRUGATION CRESTS.
2. DIMENSIONS ARE SUBJECT TO MANUFACTURING TOLERANCES.
3. PLATE LAYOUT WILL BE DETERMINED BY MANUFACTURER.
4. ALL REINFORCING PER MANUFACTURERS REQUIREMENTS.



LANE ENTERPRISES, INC.

STEEL STRUCTURAL PLATE

ARCH CULVERT DETAIL

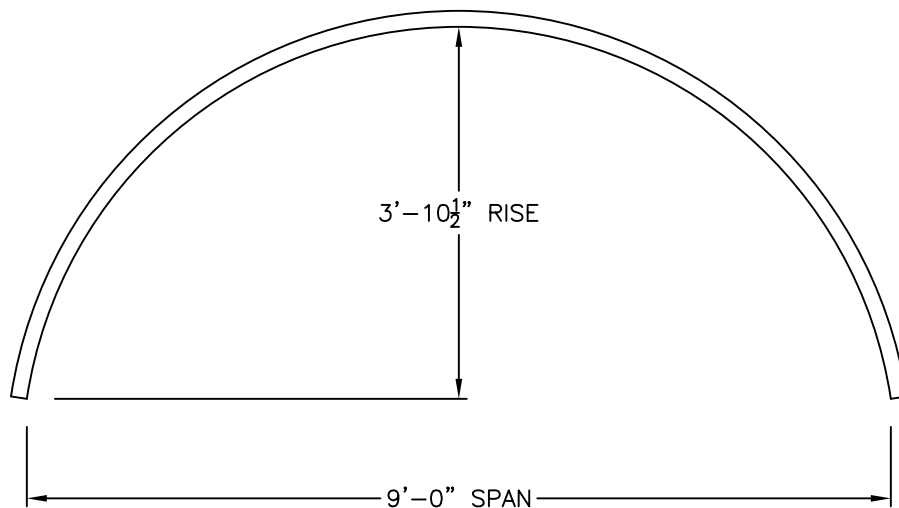
9'-0" x 4'-3 1/2"

Drawing Number: AC-S-9.00-2

Page Number: 1 OF 1

Date Drawn: 5/5/08

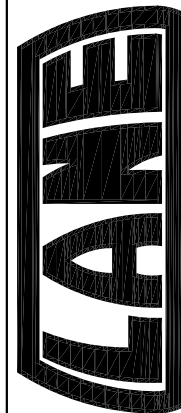
Drawn By: JCH



WATERWAY AREA = 26.5 sf

NOTES:

1. DIMENSIONS ARE SHOWN TO THE INSIDE OF THE CORRUGATION CRESTS.
2. DIMENSIONS ARE SUBJECT TO MANUFACTURING TOLERANCES.
3. PLATE LAYOUT WILL BE DETERMINED BY MANUFACTURER.
4. ALL REINFORCING PER MANUFACTURERS REQUIREMENTS.



LANE ENTERPRISES, INC.

STEEL STRUCTURAL PLATE

ARCH CULVERT DETAIL

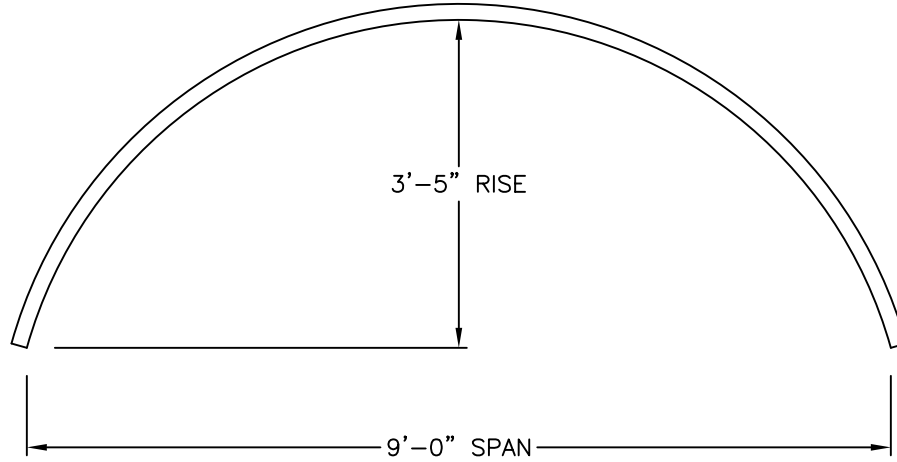
9'-0" x 3'-10 1/2"

Drawing Number: AC-S-9.00-3

Page Number: 1 OF 1

Date Drawn: 5/5/08

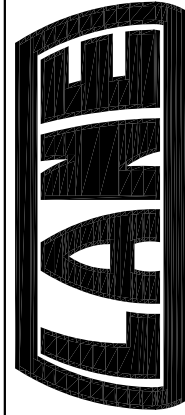
Drawn By: JCH



WATERWAY AREA = 23.0 sf

NOTES:

1. DIMENSIONS ARE SHOWN TO THE INSIDE OF THE CORRUGATION CRESTS.
2. DIMENSIONS ARE SUBJECT TO MANUFACTURING TOLERANCES.
3. PLATE LAYOUT WILL BE DETERMINED BY MANUFACTURER.
4. ALL REINFORCING PER MANUFACTURERS REQUIREMENTS.



LANE ENTERPRISES, INC.

STEEL STRUCTURAL PLATE

ARCH CULVERT DETAIL

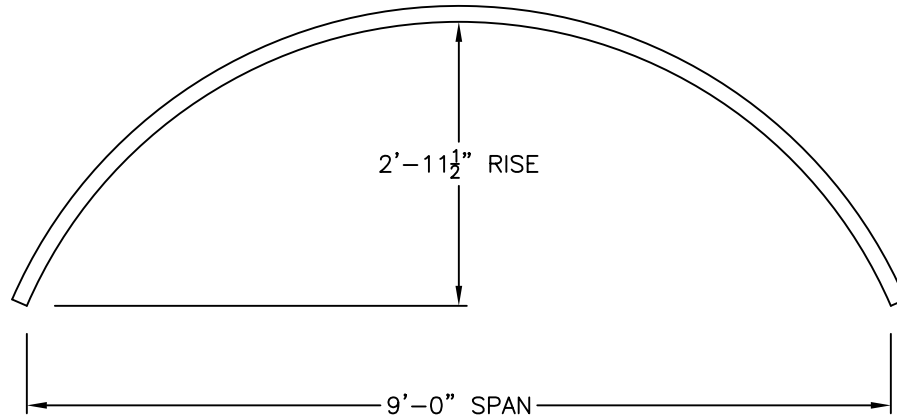
9'-0" x 3'-5"

Drawing Number: AC-S-9.00-4

Page Number: 1 OF 1

Date Drawn: 5/5/08

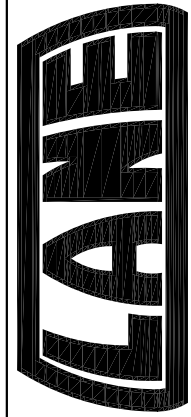
Drawn By: JCH



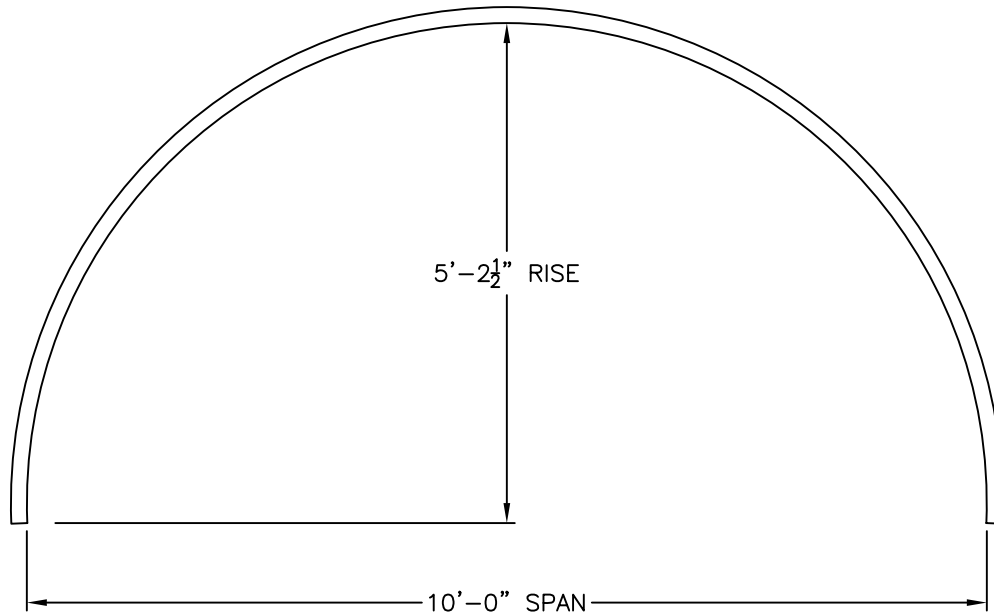
WATERWAY AREA = 19.0 sf

NOTES:

1. DIMENSIONS ARE SHOWN TO THE INSIDE OF THE CORRUGATION CRESTS.
2. DIMENSIONS ARE SUBJECT TO MANUFACTURING TOLERANCES.
3. PLATE LAYOUT WILL BE DETERMINED BY MANUFACTURER.
4. ALL REINFORCING PER MANUFACTURERS REQUIREMENTS.



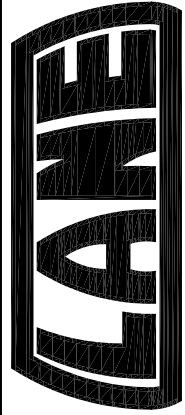
Drawing Number:	AC-S-9.00-5	LANE ENTERPRISES, INC.
Page Number:	1 OF 1	STEEL STRUCTURAL PLATE
Date Drawn:	5/5/08	ARCH CULVERT DETAIL
Drawn By:	JCH	9'-0" x 2'-11 1/2"



WATERWAY AREA = 41.0 sf

NOTES:

1. DIMENSIONS ARE SHOWN TO THE INSIDE OF THE CORRUGATION CRESTS.
2. DIMENSIONS ARE SUBJECT TO MANUFACTURING TOLERANCES.
3. PLATE LAYOUT WILL BE DETERMINED BY MANUFACTURER.
4. ALL REINFORCING PER MANUFACTURERS REQUIREMENTS.



LANE ENTERPRISES, INC.

STEEL STRUCTURAL PLATE

ARCH CULVERT DETAIL

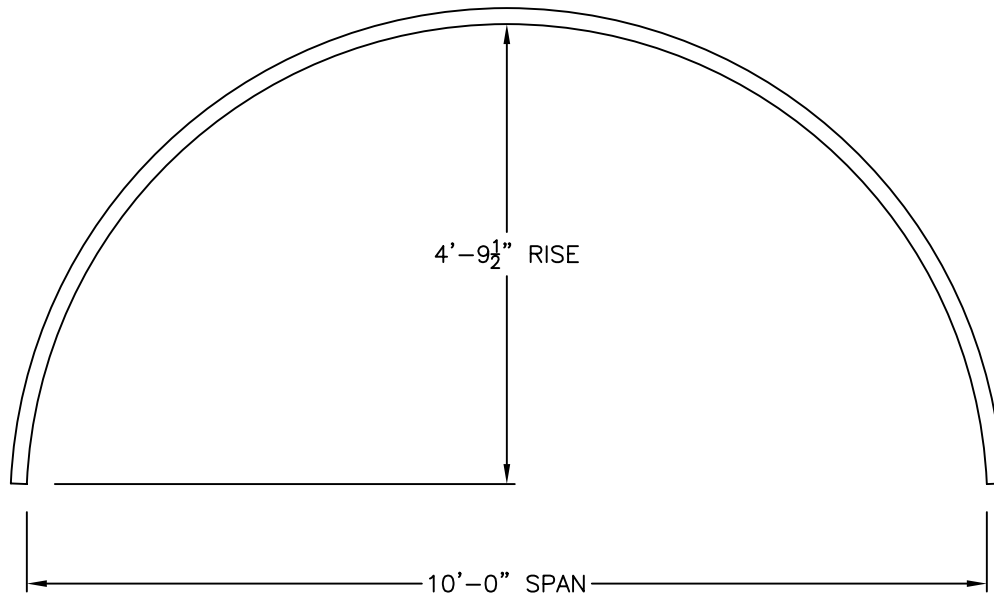
10'-0" x 5'-2 1/2"

Drawing Number: AC-S-10.00-1

Page Number: 1 OF 1

Date Drawn: 5/5/08

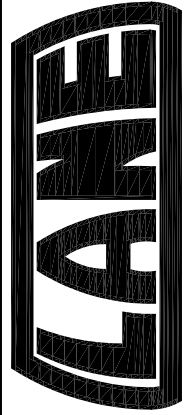
Drawn By: JCH



WATERWAY AREA = 37.0 sf

NOTES:

1. DIMENSIONS ARE SHOWN TO THE INSIDE OF THE CORRUGATION CRESTS.
2. DIMENSIONS ARE SUBJECT TO MANUFACTURING TOLERANCES.
3. PLATE LAYOUT WILL BE DETERMINED BY MANUFACTURER.
4. ALL REINFORCING PER MANUFACTURERS REQUIREMENTS.



LANE ENTERPRISES, INC.

STEEL STRUCTURAL PLATE

ARCH CULVERT DETAIL

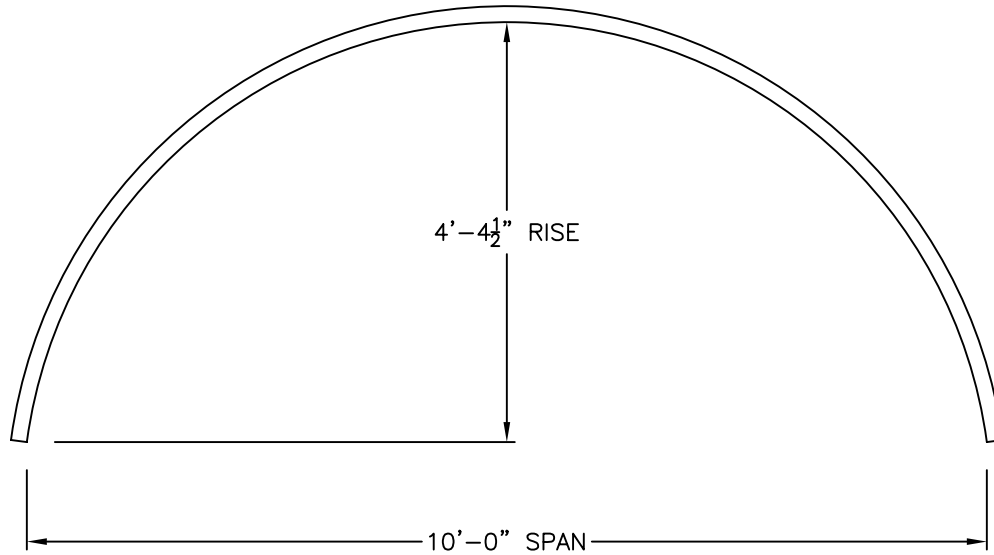
10'-0" x 4'-9 1/2"

Drawing Number: AC-S-10.00-2

Page Number: 1 OF 1

Date Drawn: 5/5/08

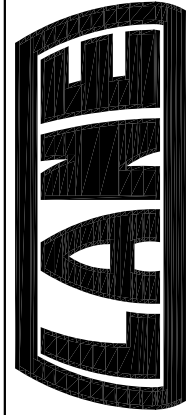
Drawn By: JCH



WATERWAY AREA = 33.5 sf

NOTES:

1. DIMENSIONS ARE SHOWN TO THE INSIDE OF THE CORRUGATION CRESTS.
2. DIMENSIONS ARE SUBJECT TO MANUFACTURING TOLERANCES.
3. PLATE LAYOUT WILL BE DETERMINED BY MANUFACTURER.
4. ALL REINFORCING PER MANUFACTURERS REQUIREMENTS.



LANE ENTERPRISES, INC.

STEEL STRUCTURAL PLATE

ARCH CULVERT DETAIL

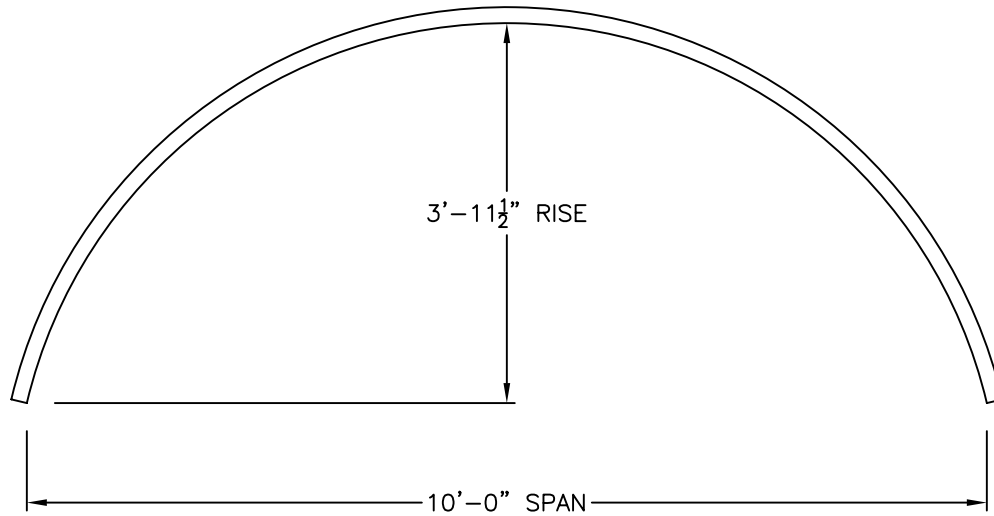
10'-0" x 4'-4 1/2"

Drawing Number: AC-S-10.00-3

Page Number: 1 OF 1

Date Drawn: 5/5/08

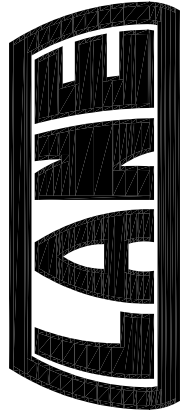
Drawn By: JCH



WATERWAY AREA = 29.5 sf

NOTES:

1. DIMENSIONS ARE SHOWN TO THE INSIDE OF THE CORRUGATION CRESTS.
2. DIMENSIONS ARE SUBJECT TO MANUFACTURING TOLERANCES.
3. PLATE LAYOUT WILL BE DETERMINED BY MANUFACTURER.
4. ALL REINFORCING PER MANUFACTURERS REQUIREMENTS.



LANE ENTERPRISES, INC.

STEEL STRUCTURAL PLATE

ARCH CULVERT DETAIL

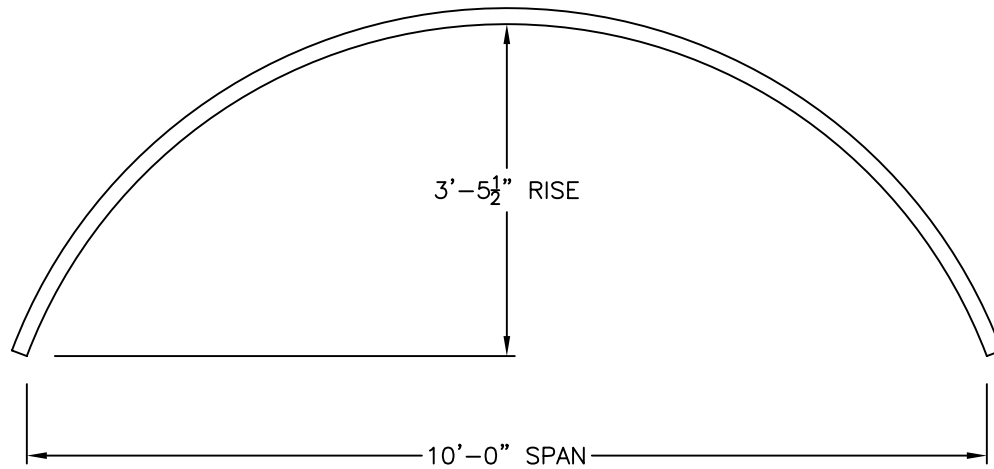
10'-0" x 3'-11 1/2"

Drawing Number: AC-S-10.00-4

Page Number: 1 OF 1

Date Drawn: 5/5/08

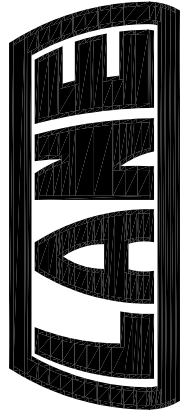
Drawn By: JCH



WATERWAY AREA = 25.5 sf

NOTES:

1. DIMENSIONS ARE SHOWN TO THE INSIDE OF THE CORRUGATION CRESTS.
2. DIMENSIONS ARE SUBJECT TO MANUFACTURING TOLERANCES.
3. PLATE LAYOUT WILL BE DETERMINED BY MANUFACTURER.
4. ALL REINFORCING PER MANUFACTURERS REQUIREMENTS.



LANE ENTERPRISES, INC.

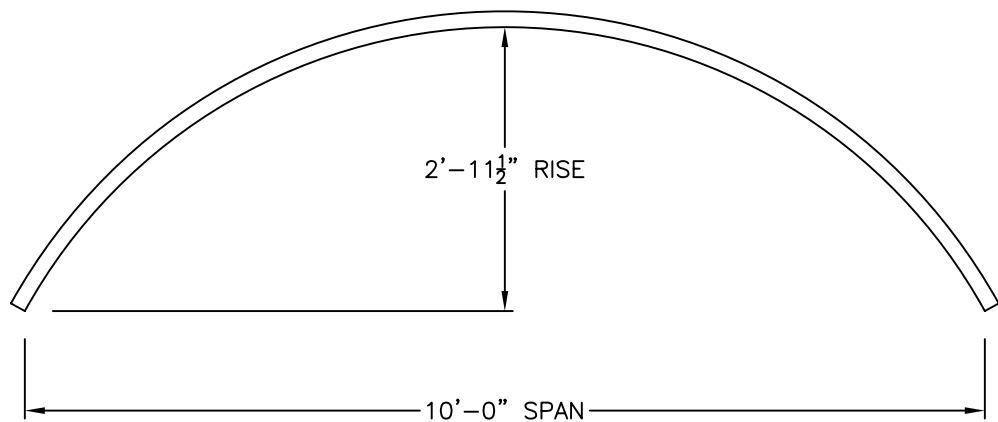
STEEL STRUCTURAL PLATE
 ARCH CULVERT DETAIL
 10'-0" x 3'-5 1/2"

Drawing Number: AC-S-10.00-5

Page Number: 1 OF 1

Date Drawn: 5/5/08

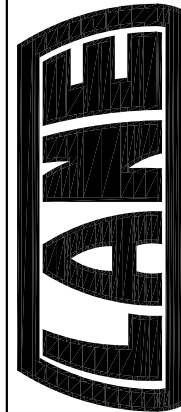
Drawn By: JCH



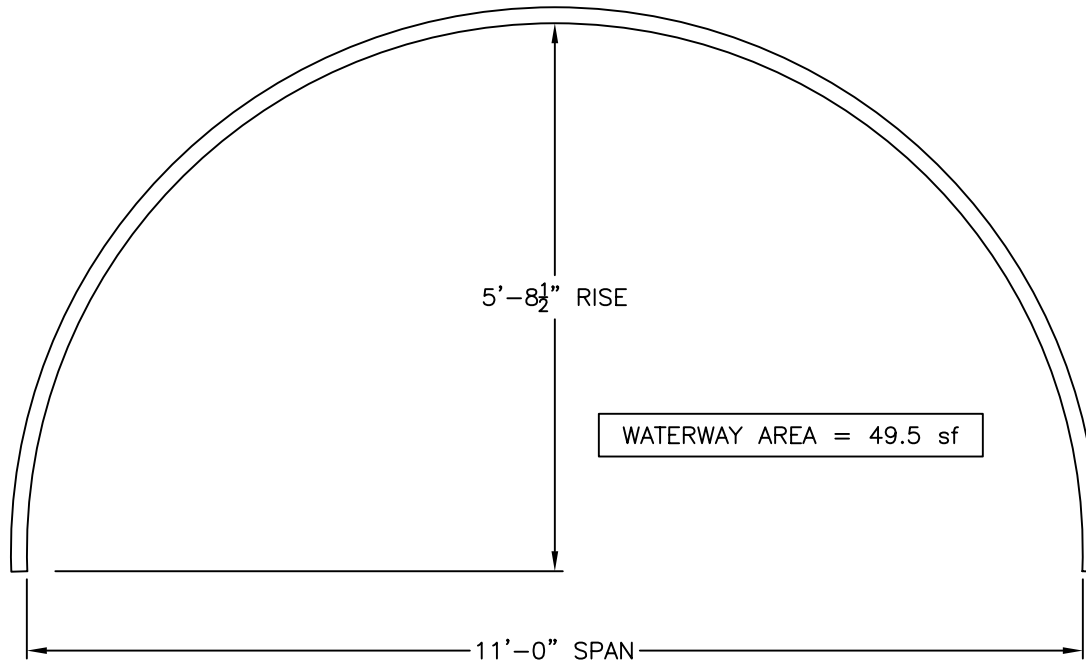
WATERWAY AREA = 21.0 sf

NOTES:

1. DIMENSIONS ARE SHOWN TO THE INSIDE OF THE CORRUGATION CRESTS.
2. DIMENSIONS ARE SUBJECT TO MANUFACTURING TOLERANCES.
3. PLATE LAYOUT WILL BE DETERMINED BY MANUFACTURER.
4. ALL REINFORCING PER MANUFACTURERS REQUIREMENTS.

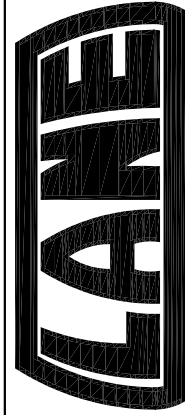


Drawing Number:	AC-S-10.00-6		
	Page Number:	1 OF 1	
		Date Drawn:	5/5/08
	Drawn By:	JCH	
LANE ENTERPRISES, INC.			
STEEL STRUCTURAL PLATE			
ARCH CULVERT DETAIL			
10'-0" x 2'-11 1/2"			



NOTES:

1. DIMENSIONS ARE SHOWN TO THE INSIDE OF THE CORRUGATION CRESTS.
2. DIMENSIONS ARE SUBJECT TO MANUFACTURING TOLERANCES.
3. PLATE LAYOUT WILL BE DETERMINED BY MANUFACTURER.
4. ALL REINFORCING PER MANUFACTURERS REQUIREMENTS.



LANE ENTERPRISES, INC.

STEEL STRUCTURAL PLATE

ARCH CULVERT DETAIL

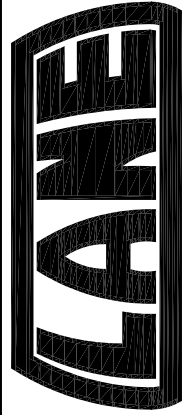
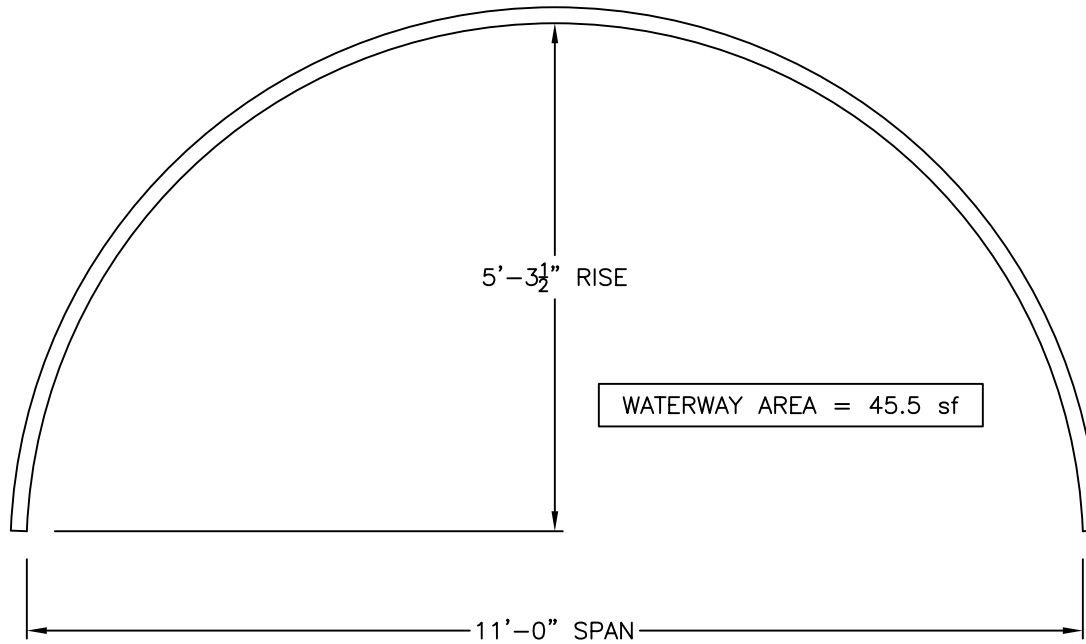
11'-0" x 5'-8 1/2"

Drawing Number: AC-S-11.00-1

Page Number: 1 OF 1

Date Drawn: 5/5/08

Drawn By: JCH



LANE ENTERPRISES, INC.

STEEL STRUCTURAL PLATE
 ARCH CULVERT DETAIL
 11'-0" x 5'-3 1/2"

Drawing Number: AC-S-11.00-2

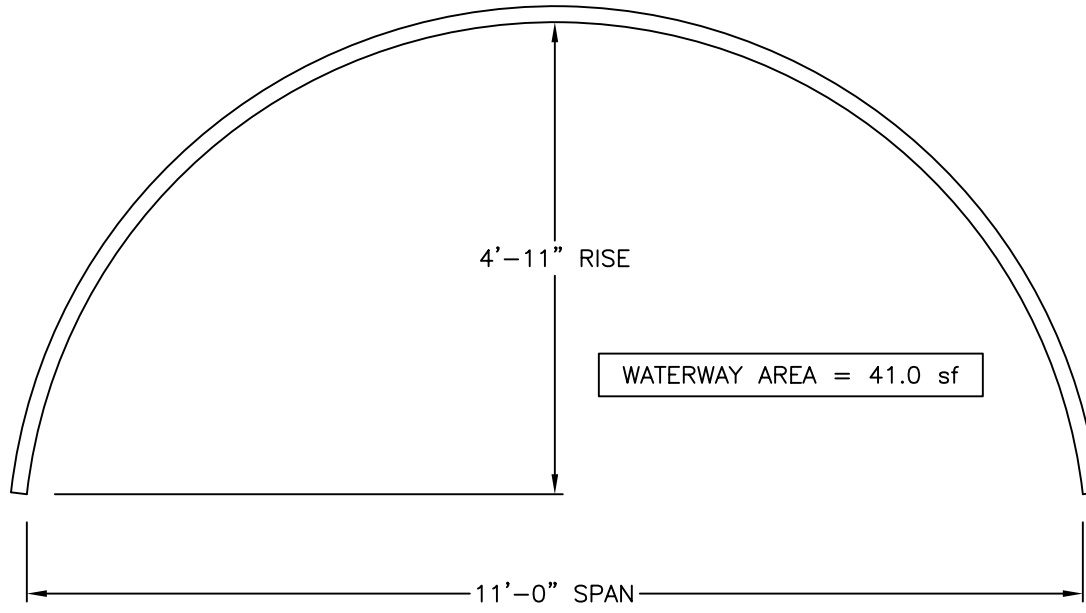
Page Number: 1 OF 1

Date Drawn: 5/5/08

Drawn By: JCH

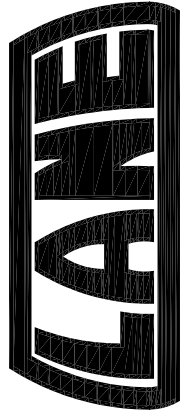
NOTES:

1. DIMENSIONS ARE SHOWN TO THE INSIDE OF THE CORRUGATION CRESTS.
2. DIMENSIONS ARE SUBJECT TO MANUFACTURING TOLERANCES.
3. PLATE LAYOUT WILL BE DETERMINED BY MANUFACTURER.
4. ALL REINFORCING PER MANUFACTURERS REQUIREMENTS.



NOTES:

1. DIMENSIONS ARE SHOWN TO THE INSIDE OF THE CORRUGATION CRESTS.
2. DIMENSIONS ARE SUBJECT TO MANUFACTURING TOLERANCES.
3. PLATE LAYOUT WILL BE DETERMINED BY MANUFACTURER.
4. ALL REINFORCING PER MANUFACTURERS REQUIREMENTS.



LANE ENTERPRISES, INC.

STEEL STRUCTURAL PLATE

ARCH CULVERT DETAIL

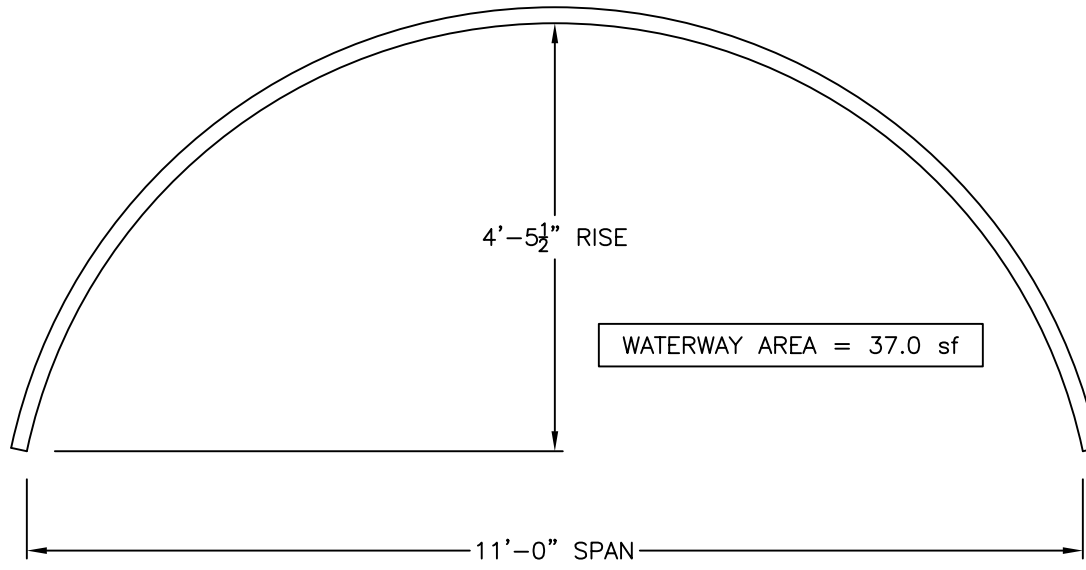
11'-0" x 4'-11"

Drawing Number: AC-S-11.00-3

Page Number: 1 OF 1

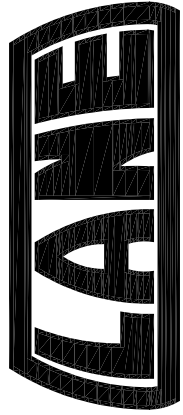
Date Drawn: 5/5/08

Drawn By: JCH



NOTES:

1. DIMENSIONS ARE SHOWN TO THE INSIDE OF THE CORRUGATION CRESTS.
2. DIMENSIONS ARE SUBJECT TO MANUFACTURING TOLERANCES.
3. PLATE LAYOUT WILL BE DETERMINED BY MANUFACTURER.
4. ALL REINFORCING PER MANUFACTURERS REQUIREMENTS.



LANE ENTERPRISES, INC.

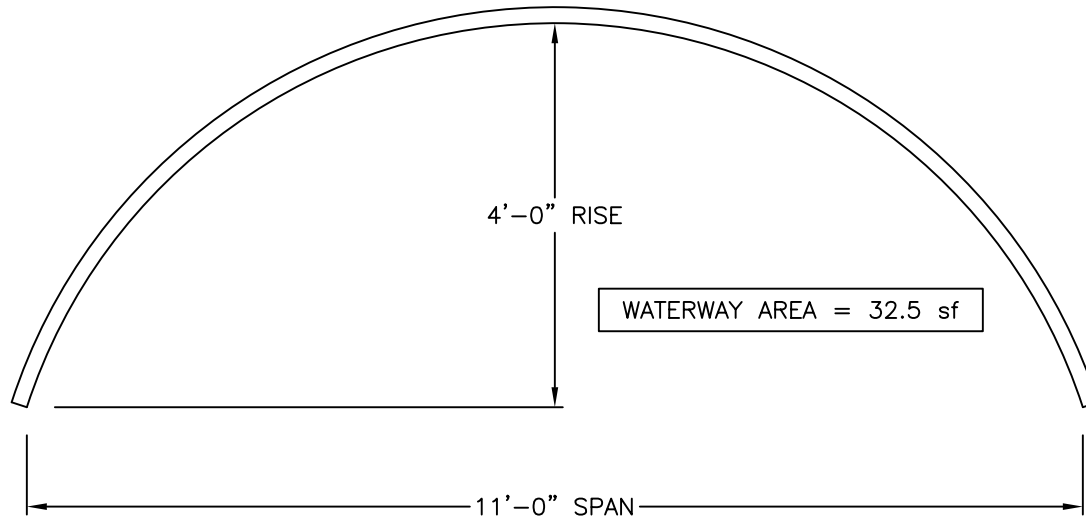
STEEL STRUCTURAL PLATE
 ARCH CULVERT DETAIL
 11'-0" x 4'-5 1/2"

Drawing Number: AC-S-11.00-4

Page Number: 1 OF 1

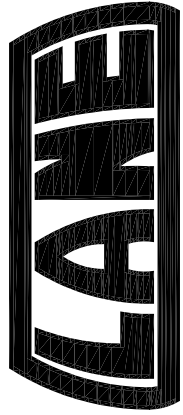
Date Drawn: 5/5/08

Drawn By: JCH



NOTES:

1. DIMENSIONS ARE SHOWN TO THE INSIDE OF THE CORRUGATION CRESTS.
2. DIMENSIONS ARE SUBJECT TO MANUFACTURING TOLERANCES.
3. PLATE LAYOUT WILL BE DETERMINED BY MANUFACTURER.
4. ALL REINFORCING PER MANUFACTURERS REQUIREMENTS.



LANE ENTERPRISES, INC.

STEEL STRUCTURAL PLATE

ARCH CULVERT DETAIL

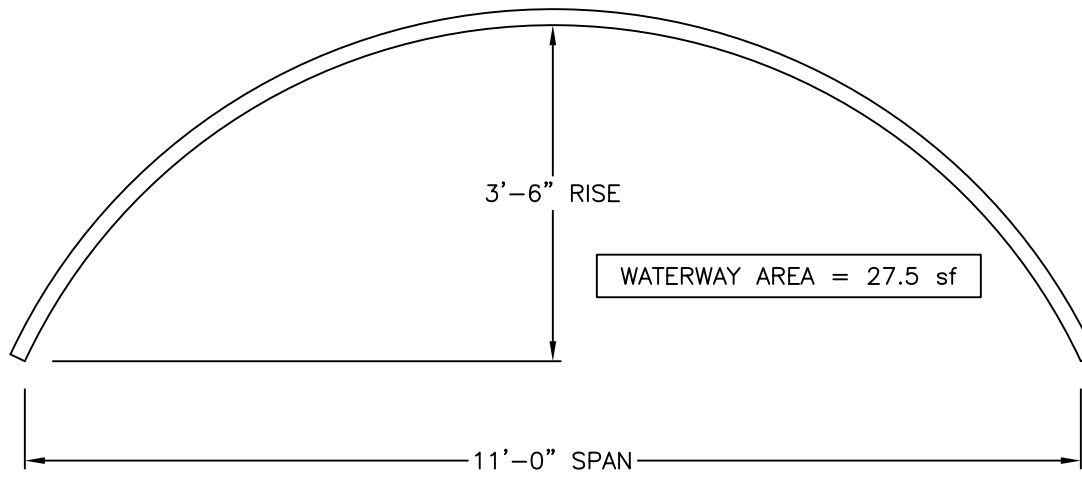
11'-0" x 4'-0"

Drawing Number: AC-S-11.00-5

Page Number: 1 OF 1

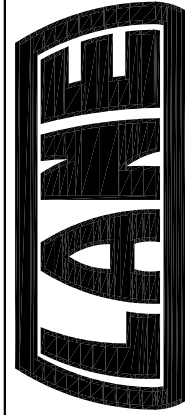
Date Drawn: 5/5/08

Drawn By: JCH



NOTES:

1. DIMENSIONS ARE SHOWN TO THE INSIDE OF THE CORRUGATION CRESTS.
2. DIMENSIONS ARE SUBJECT TO MANUFACTURING TOLERANCES.
3. PLATE LAYOUT WILL BE DETERMINED BY MANUFACTURER.
4. ALL REINFORCING PER MANUFACTURERS REQUIREMENTS.



LANE ENTERPRISES, INC.

STEEL STRUCTURAL PLATE

ARCH CULVERT DETAIL

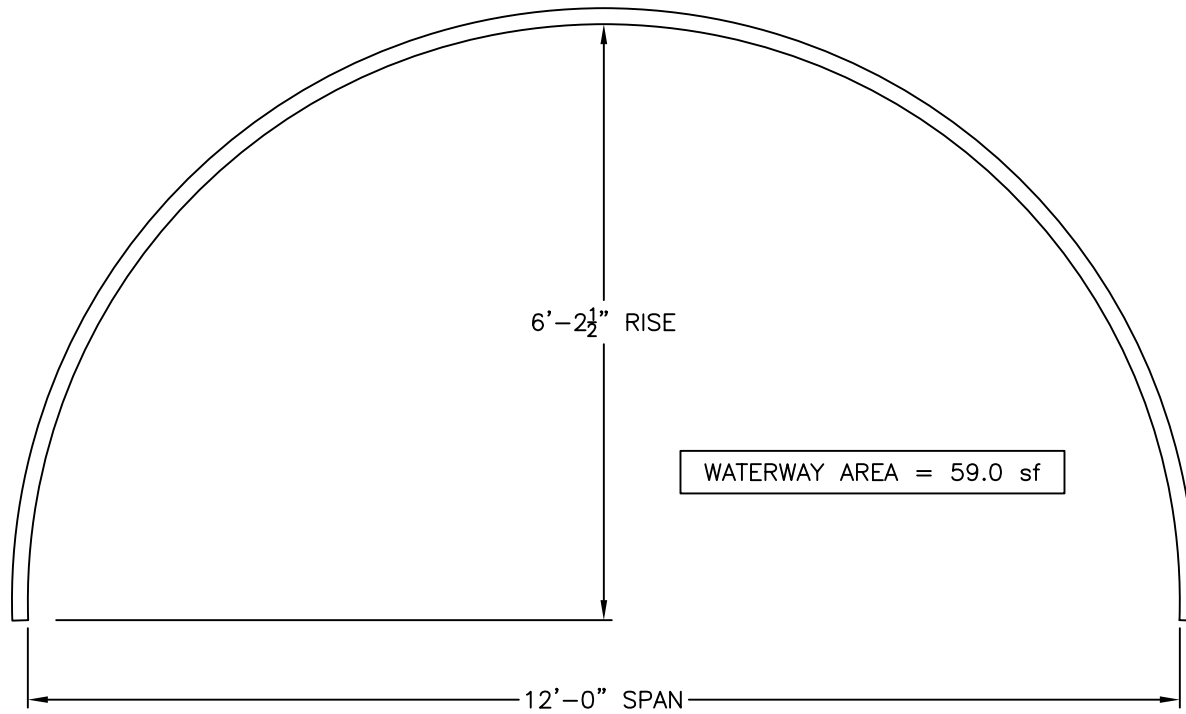
11'-0" x 3'-6"

Drawing Number: AC-S-11.00-6

Page Number: 1 OF 1

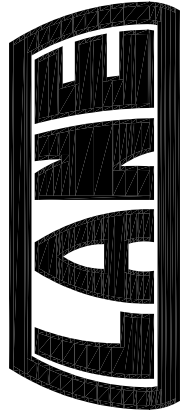
Date Drawn: 5/5/08

Drawn By: JCH



NOTES:

1. DIMENSIONS ARE SHOWN TO THE INSIDE OF THE CORRUGATION CRESTS.
2. DIMENSIONS ARE SUBJECT TO MANUFACTURING TOLERANCES.
3. PLATE LAYOUT WILL BE DETERMINED BY MANUFACTURER.
4. ALL REINFORCING PER MANUFACTURERS REQUIREMENTS.



LANE ENTERPRISES, INC.

STEEL STRUCTURAL PLATE

ARCH CULVERT DETAIL

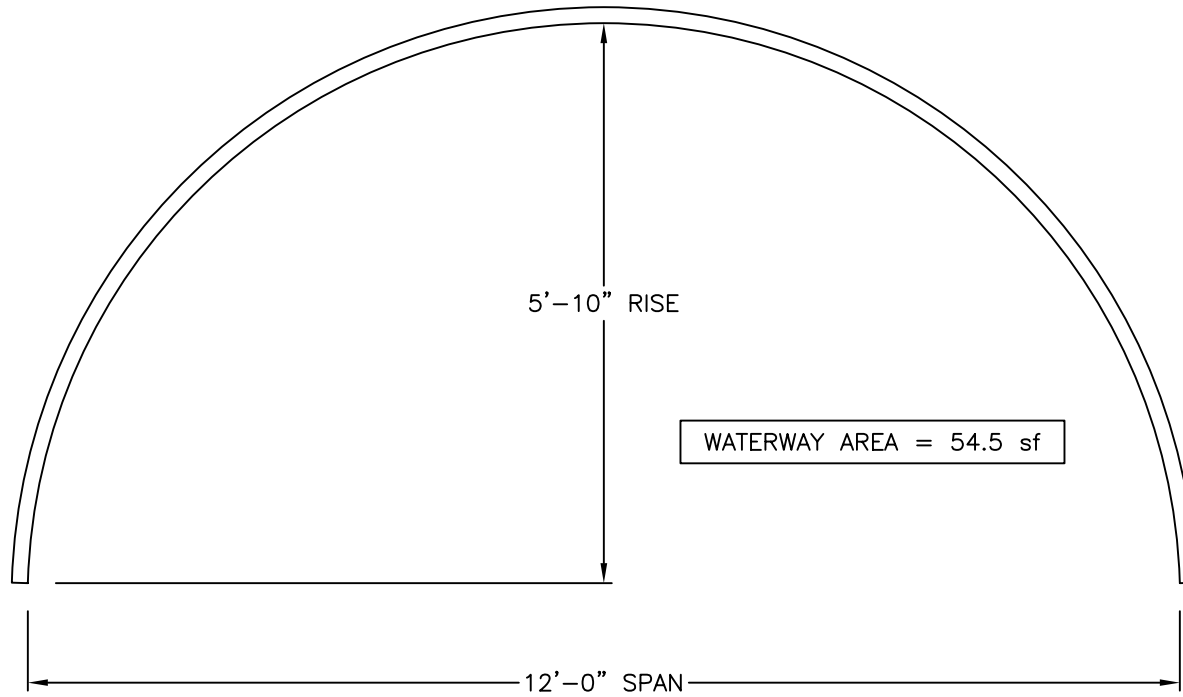
12'-0" x 6'-2 1/2"

Drawing Number: AC-S-12.00-1

Page Number: 1 OF 1

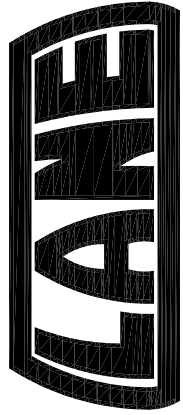
Date Drawn: 5/5/08

Drawn By: JCH



NOTES:

1. DIMENSIONS ARE SHOWN TO THE INSIDE OF THE CORRUGATION CRESTS.
2. DIMENSIONS ARE SUBJECT TO MANUFACTURING TOLERANCES.
3. PLATE LAYOUT WILL BE DETERMINED BY MANUFACTURER.
4. ALL REINFORCING PER MANUFACTURERS REQUIREMENTS.



LANE ENTERPRISES, INC.

STEEL STRUCTURAL PLATE

ARCH CULVERT DETAIL

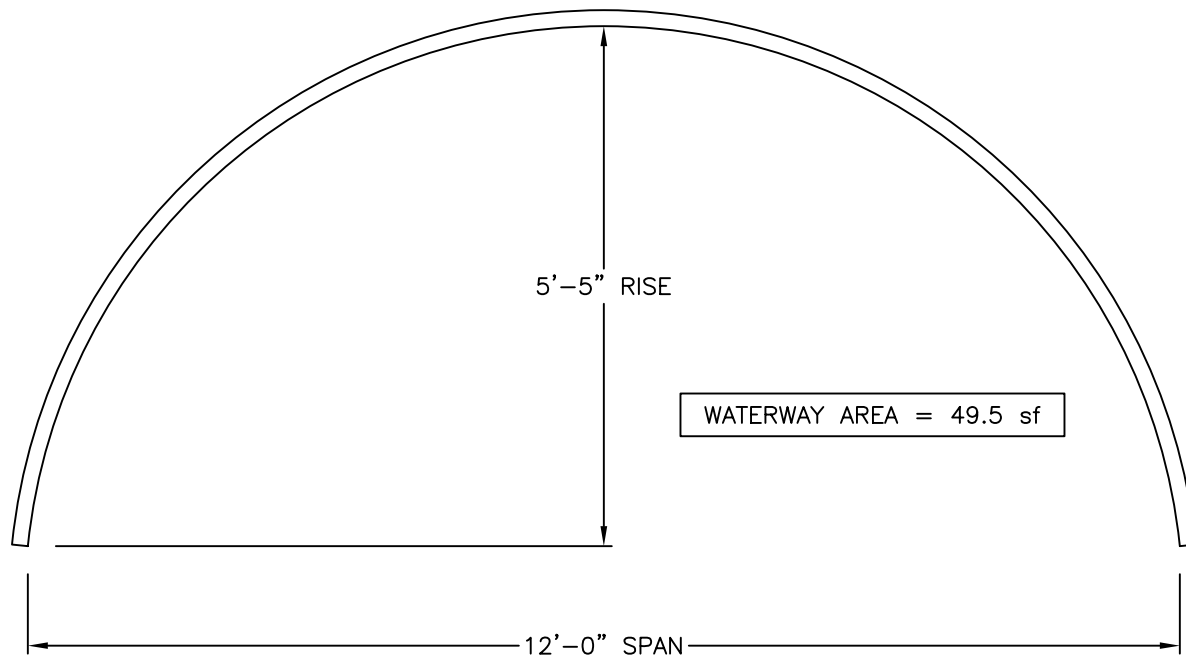
12'-0" x 5'-10"

Drawing Number: AC-S-12.00-2

Page Number: 1 OF 1

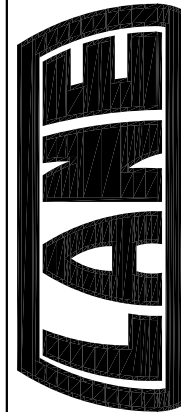
Date Drawn: 5/5/08

Drawn By: JCH



NOTES:

1. DIMENSIONS ARE SHOWN TO THE INSIDE OF THE CORRUGATION CRESTS.
2. DIMENSIONS ARE SUBJECT TO MANUFACTURING TOLERANCES.
3. PLATE LAYOUT WILL BE DETERMINED BY MANUFACTURER.
4. ALL REINFORCING PER MANUFACTURERS REQUIREMENTS.



LANE ENTERPRISES, INC.

STEEL STRUCTURAL PLATE

ARCH CULVERT DETAIL

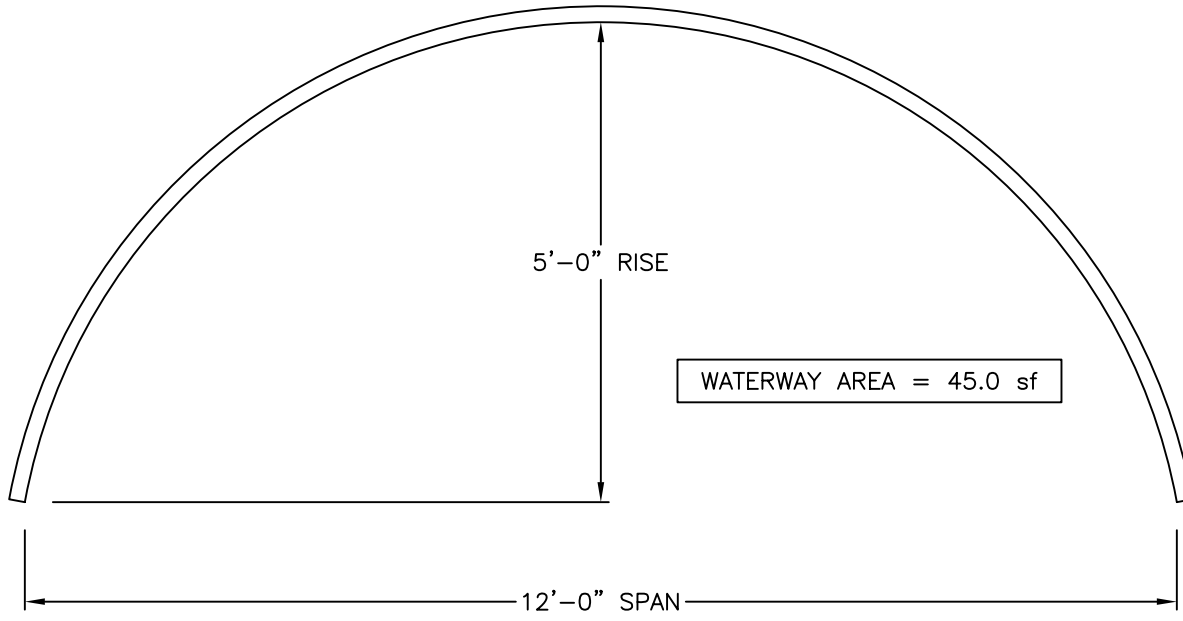
12'-0" x 5'-5"

Drawing Number: AC-S-12.00-3

Page Number: 1 OF 1

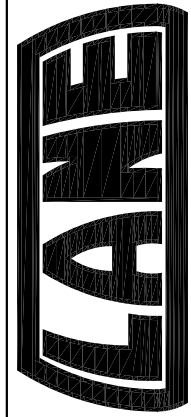
Date Drawn: 5/5/08

Drawn By: JCH

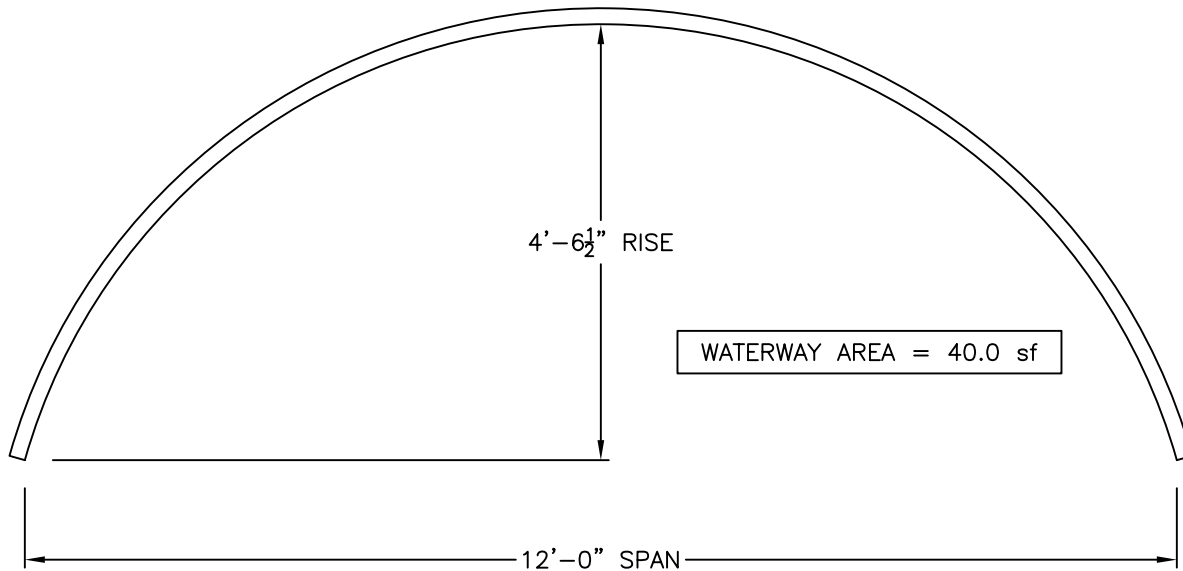


NOTES:

1. DIMENSIONS ARE SHOWN TO THE INSIDE OF THE CORRUGATION CRESTS.
2. DIMENSIONS ARE SUBJECT TO MANUFACTURING TOLERANCES.
3. PLATE LAYOUT WILL BE DETERMINED BY MANUFACTURER.
4. ALL REINFORCING PER MANUFACTURERS REQUIREMENTS.

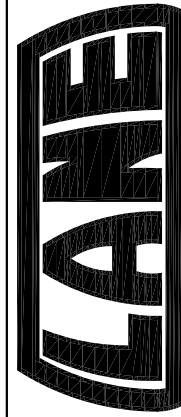


Drawing Number:	AC-S-12.00-4		
	Page Number:	1 OF 1	
		Date Drawn:	5/5/08
	Drawn By:	JCH	
LANE ENTERPRISES, INC.			
STEEL STRUCTURAL PLATE			
ARCH CULVERT DETAIL			
12'-0" x 5'-0"			



NOTES:

1. DIMENSIONS ARE SHOWN TO THE INSIDE OF THE CORRUGATION CRESTS.
2. DIMENSIONS ARE SUBJECT TO MANUFACTURING TOLERANCES.
3. PLATE LAYOUT WILL BE DETERMINED BY MANUFACTURER.
4. ALL REINFORCING PER MANUFACTURERS REQUIREMENTS.



LANE ENTERPRISES, INC.

STEEL STRUCTURAL PLATE

ARCH CULVERT DETAIL

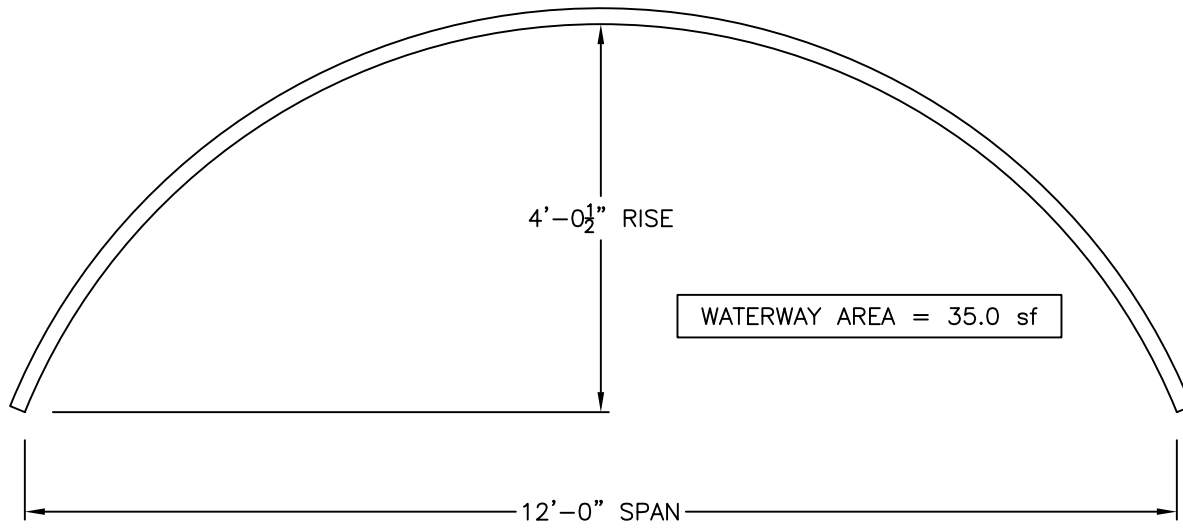
12'-0" x 4'-6 1/2"

Drawing Number: AC-S-12.00-5

Page Number: 1 OF 1

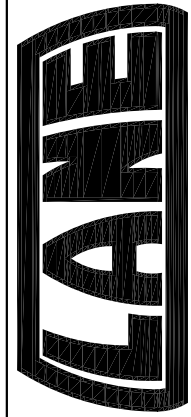
Date Drawn: 5/5/08

Drawn By: JCH

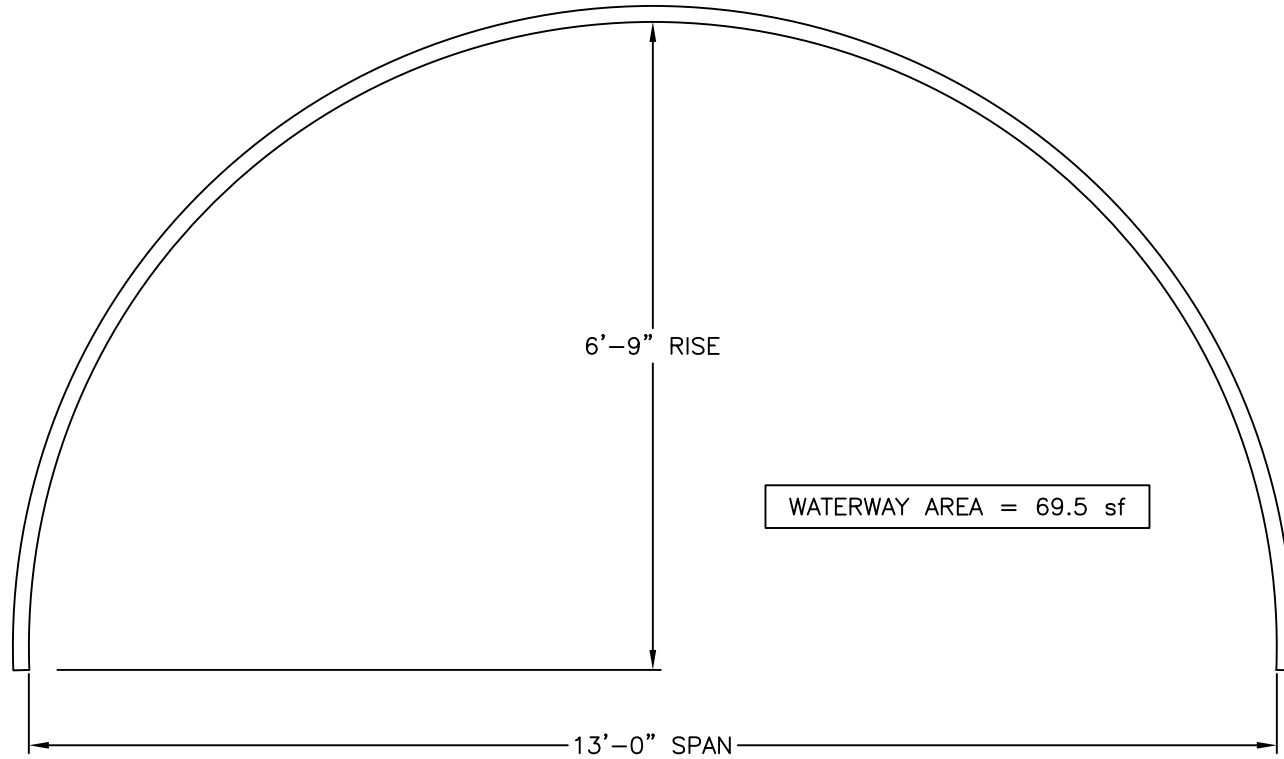


NOTES:

1. DIMENSIONS ARE SHOWN TO THE INSIDE OF THE CORRUGATION CRESTS.
2. DIMENSIONS ARE SUBJECT TO MANUFACTURING TOLERANCES.
3. PLATE LAYOUT WILL BE DETERMINED BY MANUFACTURER.
4. ALL REINFORCING PER MANUFACTURERS REQUIREMENTS.

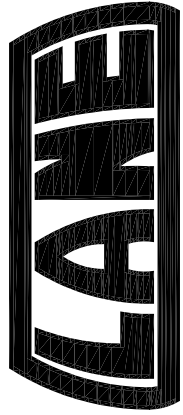


Drawing Number:	AC-S-12.00-6		
	Page Number:	1 OF 1	
		Date Drawn:	5/5/08
	Drawn By:	JCH	
LANE ENTERPRISES, INC.			
STEEL STRUCTURAL PLATE			
ARCH CULVERT DETAIL			
12'-0" x 4'-0 1/2"			



NOTES:

1. DIMENSIONS ARE SHOWN TO THE INSIDE OF THE CORRUGATION CRESTS.
2. DIMENSIONS ARE SUBJECT TO MANUFACTURING TOLERANCES.
3. PLATE LAYOUT WILL BE DETERMINED BY MANUFACTURER.
4. ALL REINFORCING PER MANUFACTURERS REQUIREMENTS.



LANE ENTERPRISES, INC.

STEEL STRUCTURAL PLATE

ARCH CULVERT DETAIL

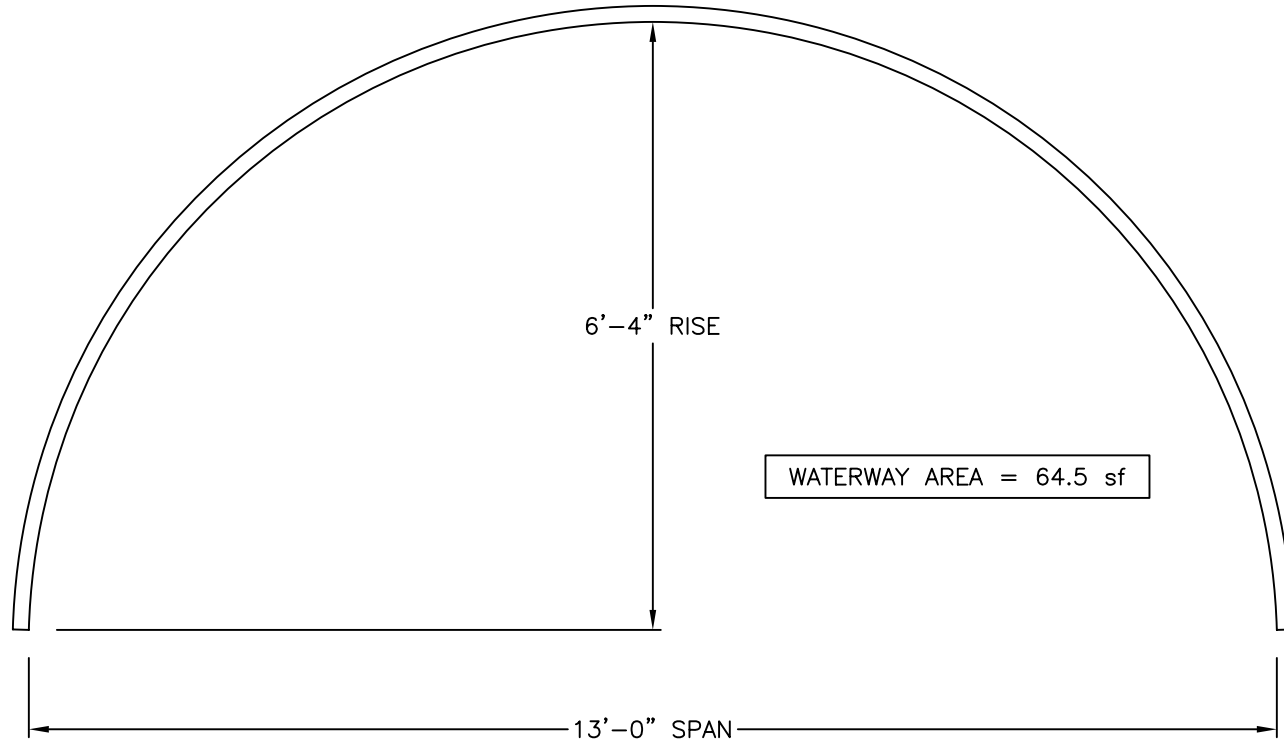
13'-0" x 6'-9"

Drawing Number: AC-S-13.00-1

Page Number: 1 OF 1

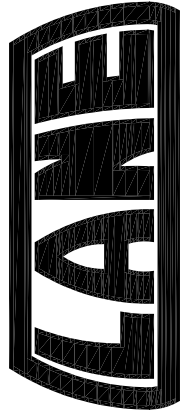
Date Drawn: 5/5/08

Drawn By: JCH



NOTES:

1. DIMENSIONS ARE SHOWN TO THE INSIDE OF THE CORRUGATION CRESTS.
2. DIMENSIONS ARE SUBJECT TO MANUFACTURING TOLERANCES.
3. PLATE LAYOUT WILL BE DETERMINED BY MANUFACTURER.
4. ALL REINFORCING PER MANUFACTURERS REQUIREMENTS.



LANE ENTERPRISES, INC.

STEEL STRUCTURAL PLATE

ARCH CULVERT DETAIL

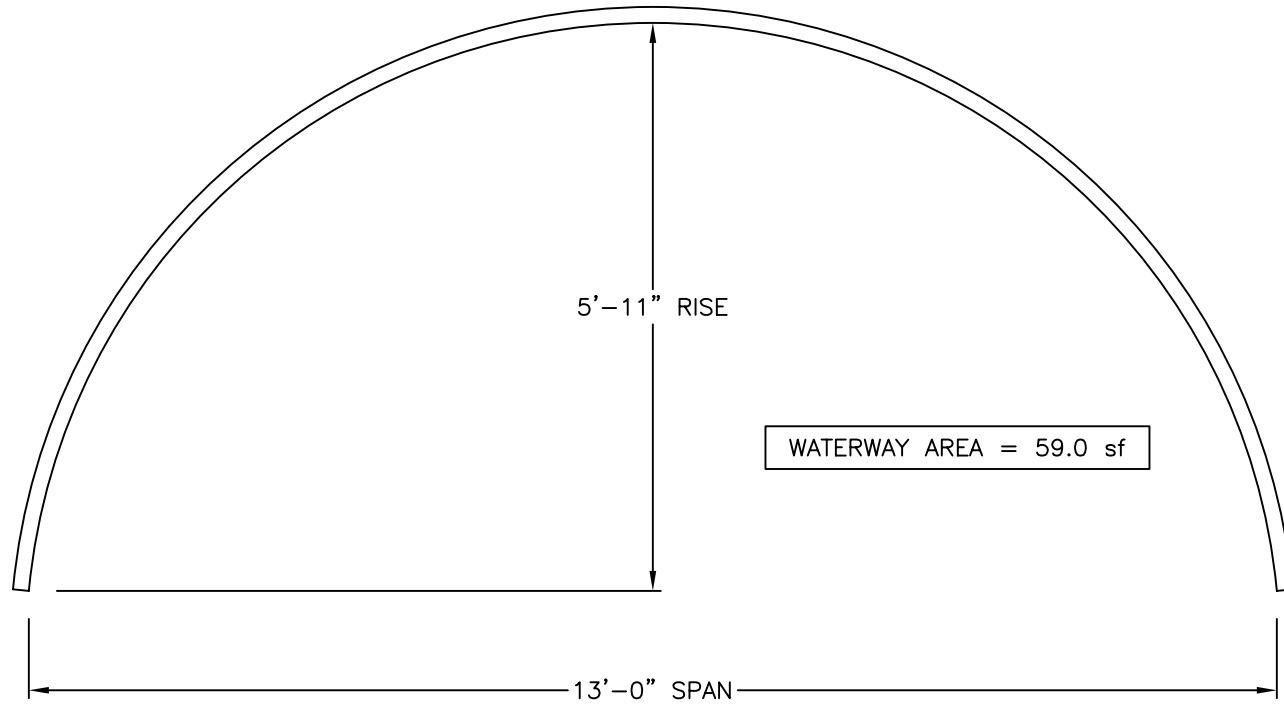
13'-0" x 6'-4"

Drawing Number: AC-S-13.00-2

Page Number: 1 OF 1

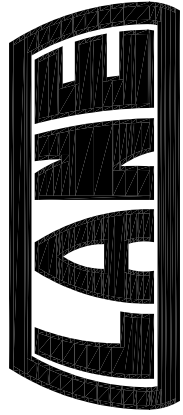
Date Drawn: 5/5/08

Drawn By: JCH



NOTES:

1. DIMENSIONS ARE SHOWN TO THE INSIDE OF THE CORRUGATION CRESTS.
2. DIMENSIONS ARE SUBJECT TO MANUFACTURING TOLERANCES.
3. PLATE LAYOUT WILL BE DETERMINED BY MANUFACTURER.
4. ALL REINFORCING PER MANUFACTURERS REQUIREMENTS.



LANE ENTERPRISES, INC.

STEEL STRUCTURAL PLATE

ARCH CULVERT DETAIL

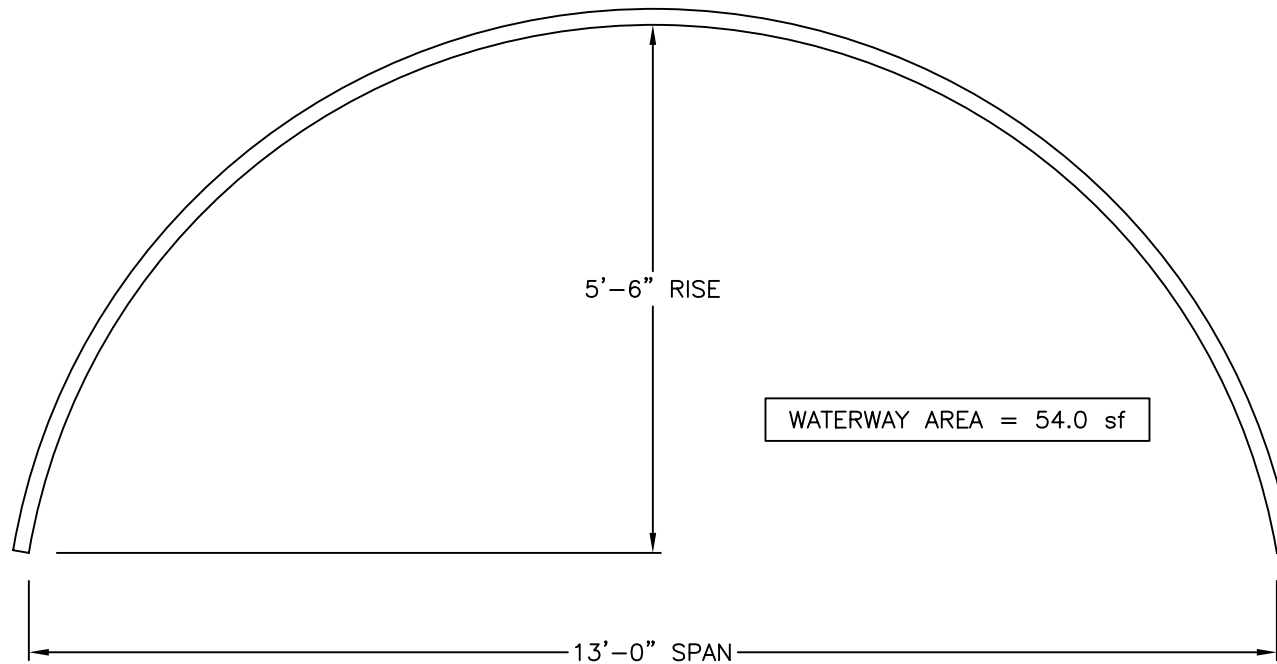
13'-0" x 5'-11"

Drawing Number: AC-S-13.00-3

Page Number: 1 OF 1

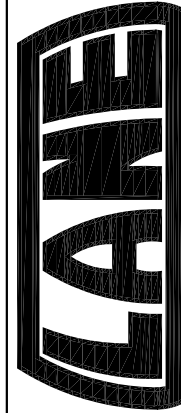
Date Drawn: 5/5/08

Drawn By: JCH



NOTES:

1. DIMENSIONS ARE SHOWN TO THE INSIDE OF THE CORRUGATION CRESTS.
2. DIMENSIONS ARE SUBJECT TO MANUFACTURING TOLERANCES.
3. PLATE LAYOUT WILL BE DETERMINED BY MANUFACTURER.
4. ALL REINFORCING PER MANUFACTURERS REQUIREMENTS.



LANE ENTERPRISES, INC.

STEEL STRUCTURAL PLATE

ARCH CULVERT DETAIL

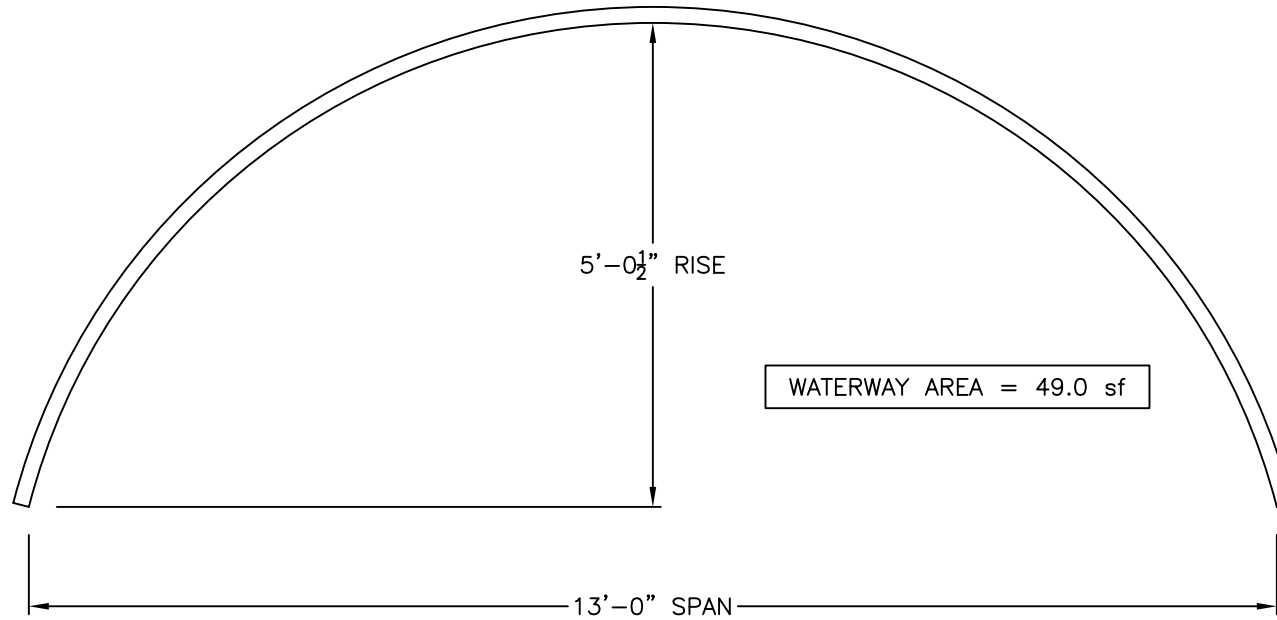
13'-0" x 5'-6"

Drawing Number: AC-S-13.00-4

Page Number: 1 OF 1

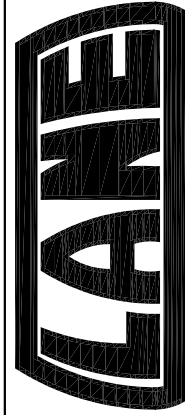
Date Drawn: 5/5/08

Drawn By: JCH



NOTES:

1. DIMENSIONS ARE SHOWN TO THE INSIDE OF THE CORRUGATION CRESTS.
2. DIMENSIONS ARE SUBJECT TO MANUFACTURING TOLERANCES.
3. PLATE LAYOUT WILL BE DETERMINED BY MANUFACTURER.
4. ALL REINFORCING PER MANUFACTURERS REQUIREMENTS.



LANE ENTERPRISES, INC.

STEEL STRUCTURAL PLATE

ARCH CULVERT DETAIL

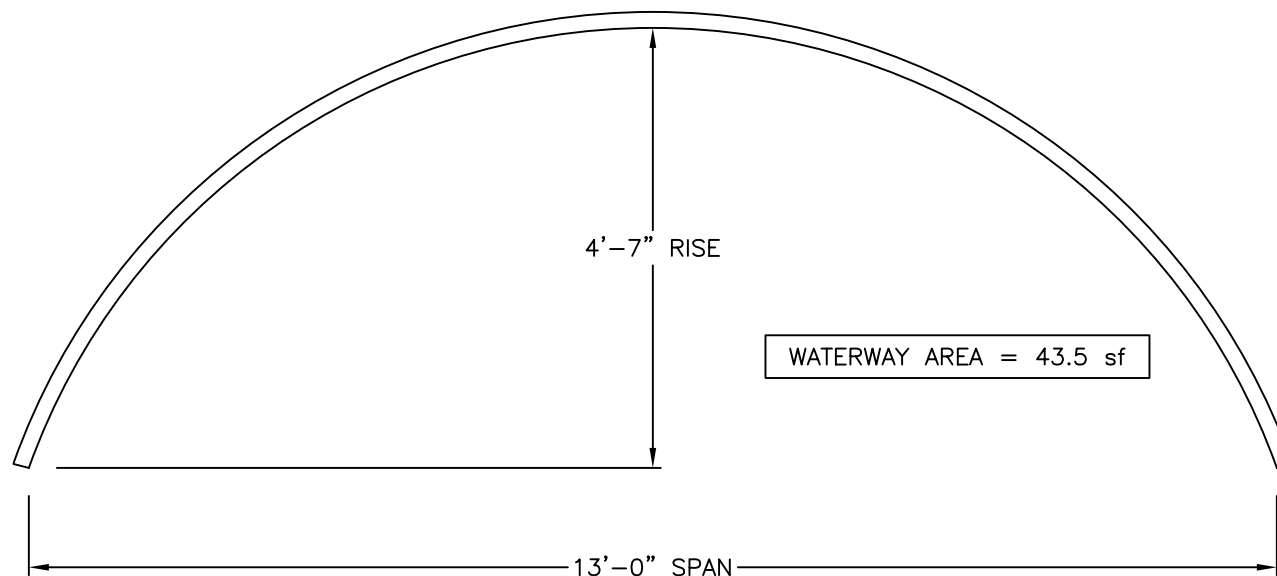
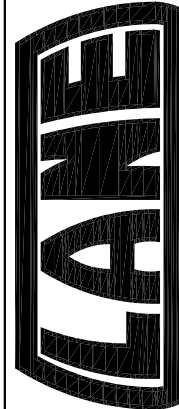
13'-0" x 5'-0 1/2"

Drawing Number: AC-S-13.00-5

Page Number: 1 OF 1

Date Drawn: 5/5/08

Drawn By: JCH



LANE ENTERPRISES, INC.

STEEL STRUCTURAL PLATE

ARCH CULVERT DETAIL

13'-0" x 4'-7"

Drawing Number: AC-S-13.00-6

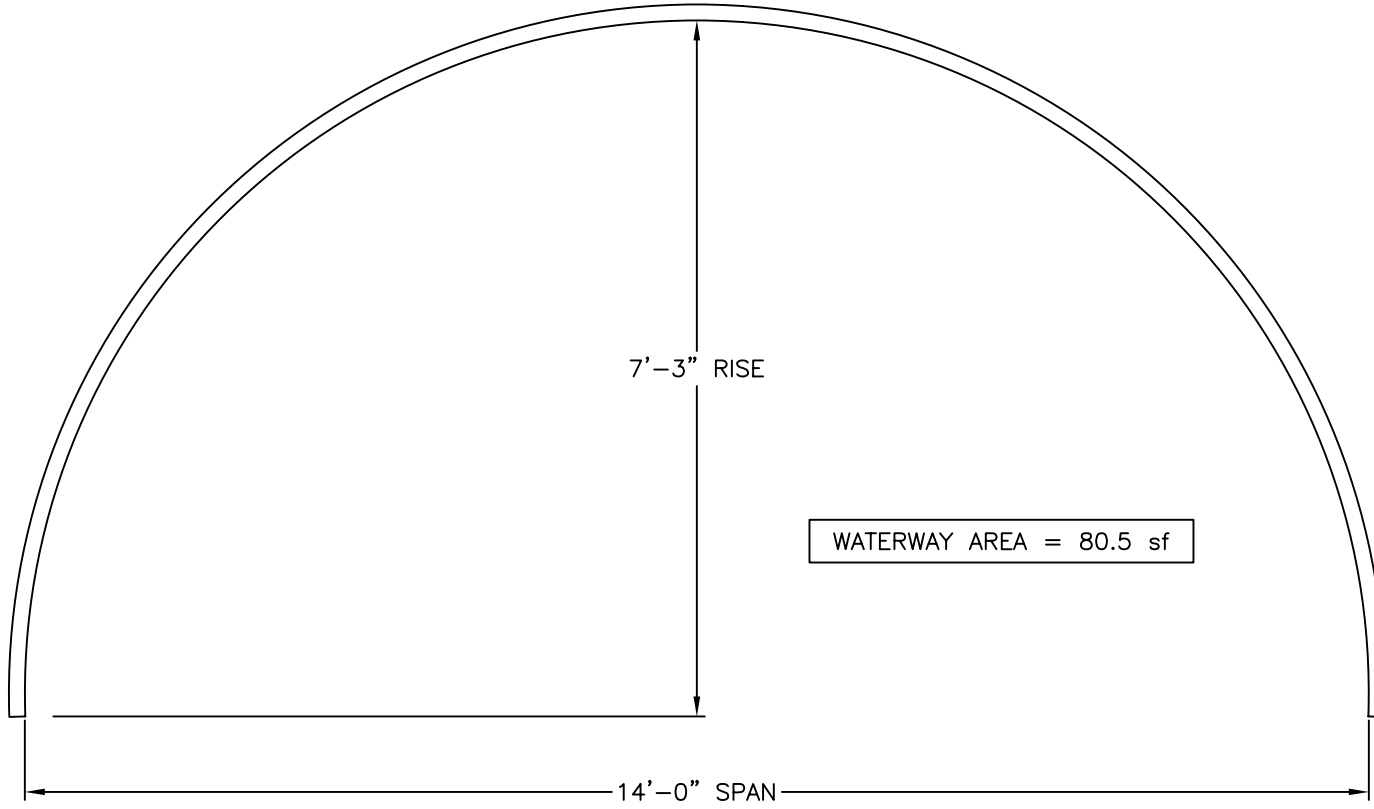
Page Number: 1 OF 1

Date Drawn: 5/5/08

Drawn By: JCH

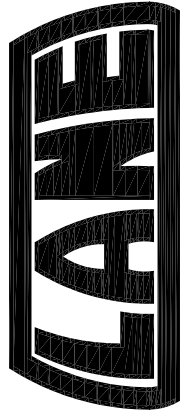
NOTES:

1. DIMENSIONS ARE SHOWN TO THE INSIDE OF THE CORRUGATION CRESTS.
2. DIMENSIONS ARE SUBJECT TO MANUFACTURING TOLERANCES.
3. PLATE LAYOUT WILL BE DETERMINED BY MANUFACTURER.
4. ALL REINFORCING PER MANUFACTURERS REQUIREMENTS.



NOTES:

1. DIMENSIONS ARE SHOWN TO THE INSIDE OF THE CORRUGATION CRESTS.
2. DIMENSIONS ARE SUBJECT TO MANUFACTURING TOLERANCES.
3. PLATE LAYOUT WILL BE DETERMINED BY MANUFACTURER.
4. ALL REINFORCING PER MANUFACTURERS REQUIREMENTS.



LANE ENTERPRISES, INC.

STEEL STRUCTURAL PLATE

ARCH CULVERT DETAIL

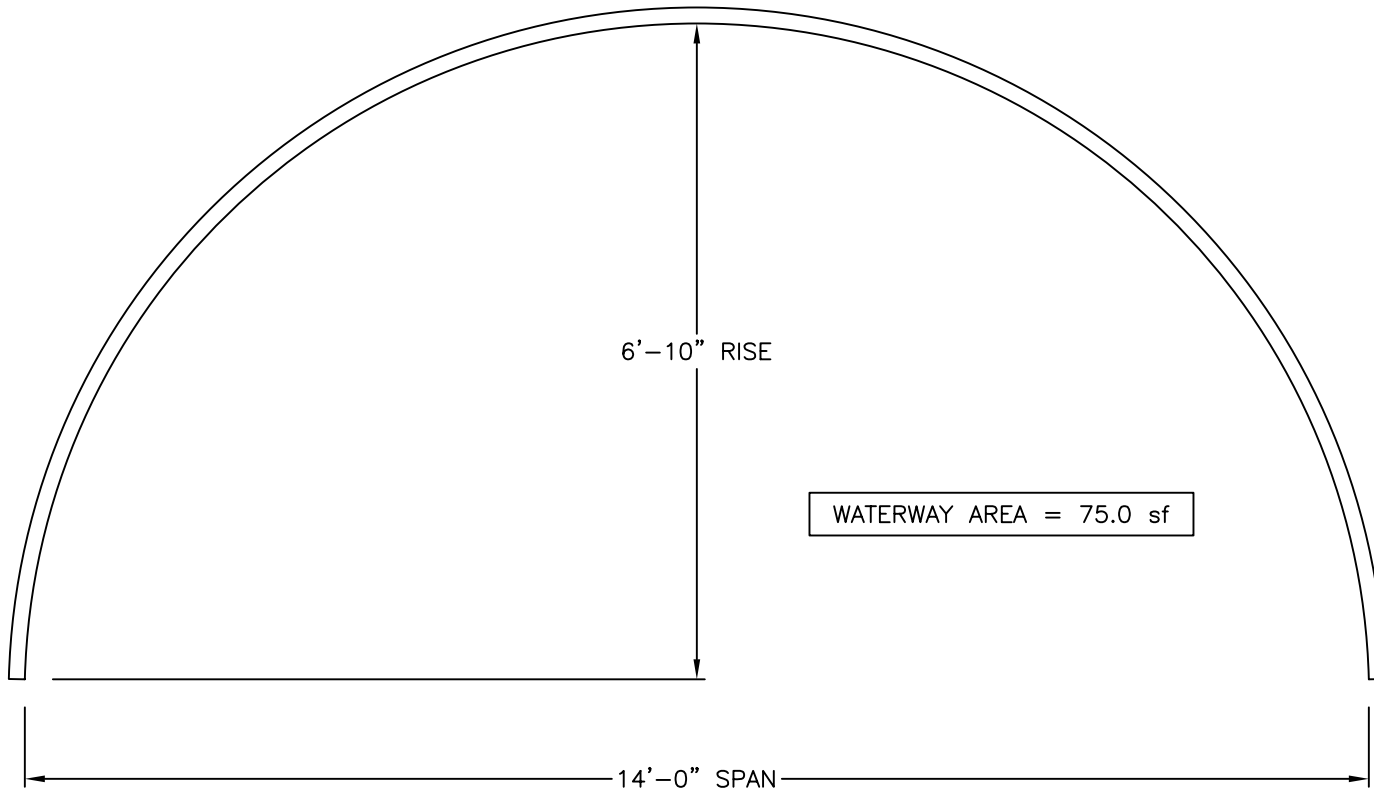
14'-0" x 7'-3"

Drawing Number: AC-S-14.00-1

Page Number: 1 OF 1

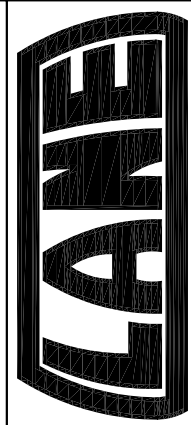
Date Drawn: 5/13/08

Drawn By: JCH

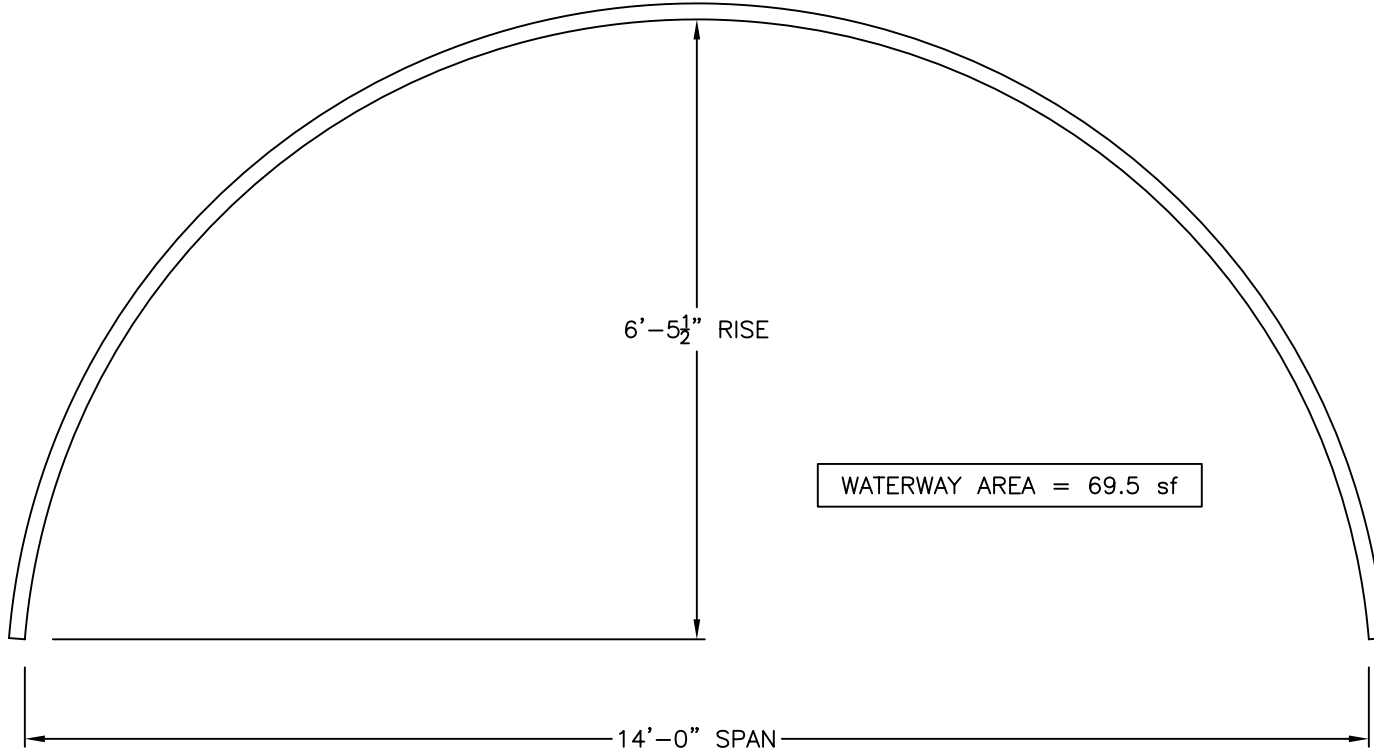


NOTES:

1. DIMENSIONS ARE SHOWN TO THE INSIDE OF THE CORRUGATION CRESTS.
2. DIMENSIONS ARE SUBJECT TO MANUFACTURING TOLERANCES.
3. PLATE LAYOUT WILL BE DETERMINED BY MANUFACTURER.
4. ALL REINFORCING PER MANUFACTURERS REQUIREMENTS.

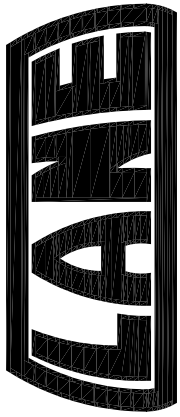


Drawing Number:	AC-S-14.00-2		
	Page Number:	1 OF 1	
		Date Drawn:	5/13/08
	Drawn By:	JCH	
LANE ENTERPRISES, INC.			
STEEL STRUCTURAL PLATE			
ARCH CULVERT DETAIL			
14'-0" x 6'-10"			

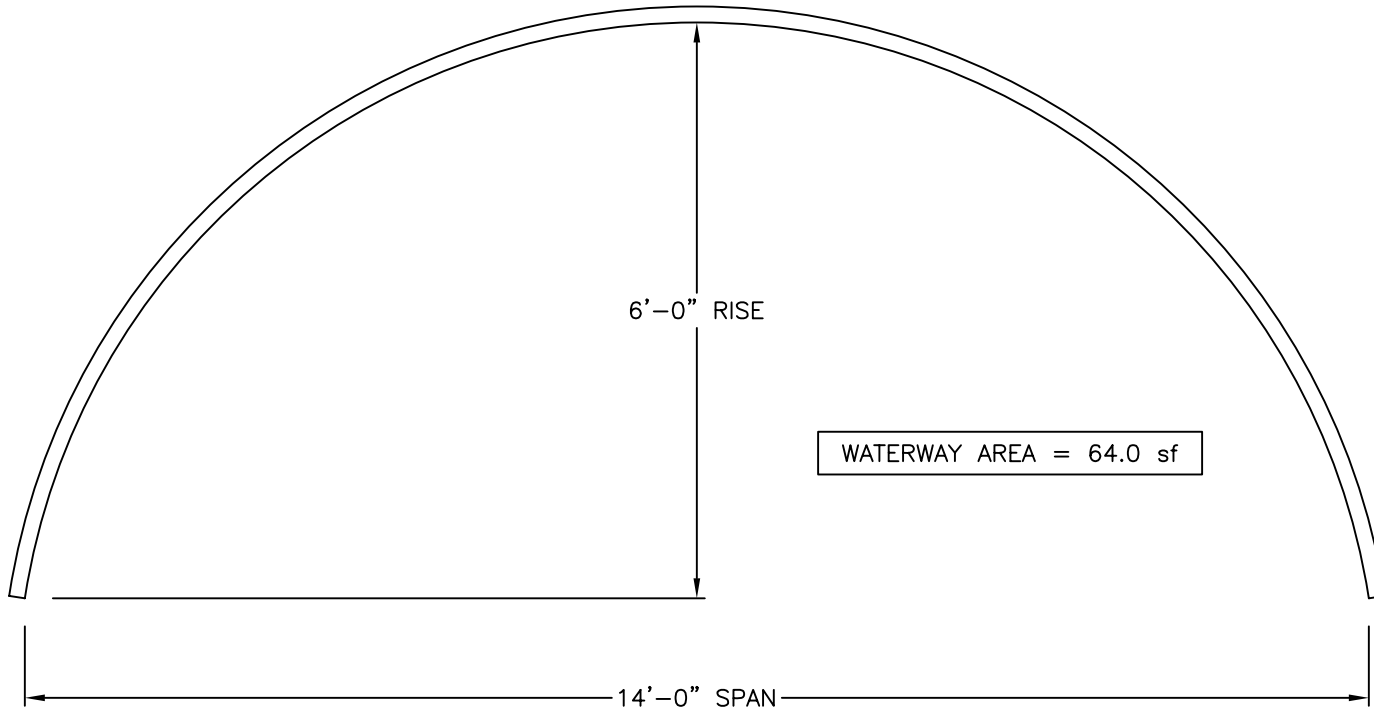


NOTES:

1. DIMENSIONS ARE SHOWN TO THE INSIDE OF THE CORRUGATION CRESTS.
2. DIMENSIONS ARE SUBJECT TO MANUFACTURING TOLERANCES.
3. PLATE LAYOUT WILL BE DETERMINED BY MANUFACTURER.
4. ALL REINFORCING PER MANUFACTURERS REQUIREMENTS.

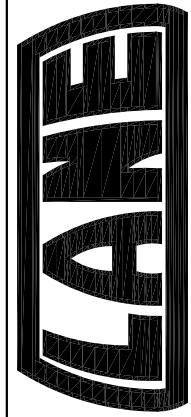


Drawing Number:	AC-S-14.00-3	LANE ENTERPRISES, INC.
Page Number:	1 OF 1	STEEL STRUCTURAL PLATE
Date Drawn:	5/13/08	ARCH CULVERT DETAIL
Drawn By:	JCH	14'-0" x 6'-5 1/2"



NOTES:

1. DIMENSIONS ARE SHOWN TO THE INSIDE OF THE CORRUGATION CRESTS.
2. DIMENSIONS ARE SUBJECT TO MANUFACTURING TOLERANCES.
3. PLATE LAYOUT WILL BE DETERMINED BY MANUFACTURER.
4. ALL REINFORCING PER MANUFACTURERS REQUIREMENTS.



LANE ENTERPRISES, INC.

STEEL STRUCTURAL PLATE

ARCH CULVERT DETAIL

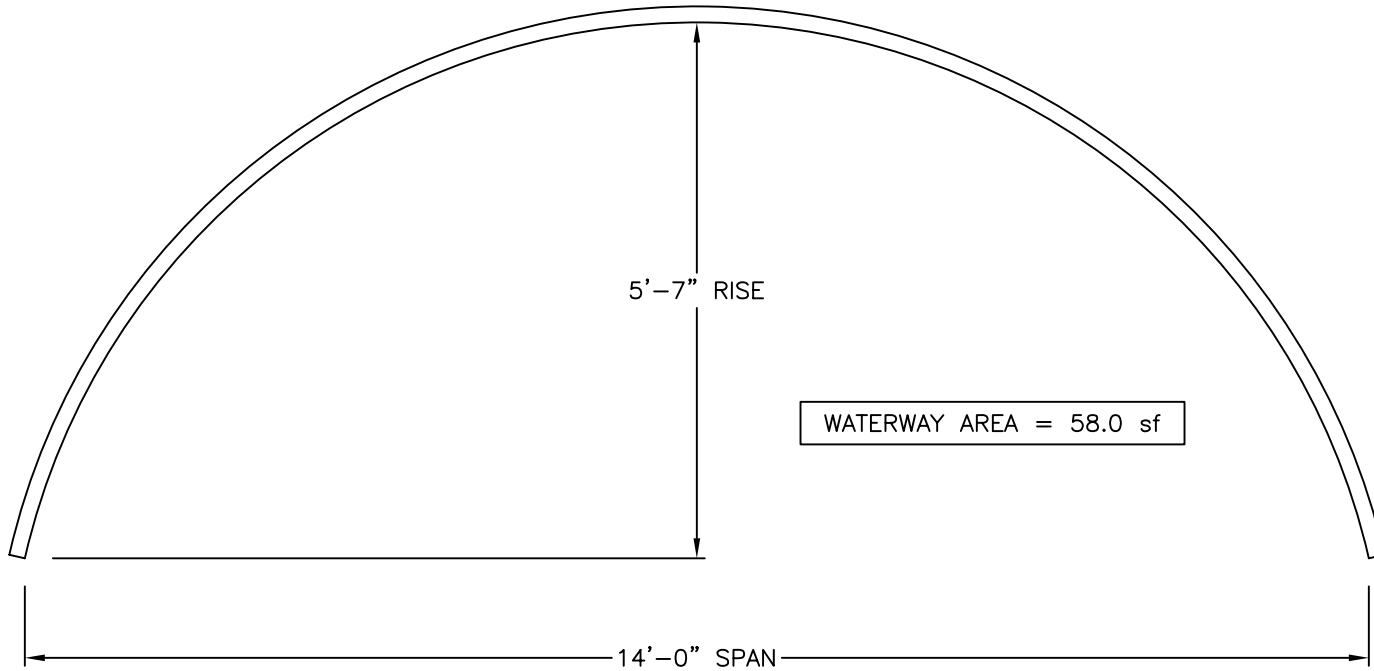
14'-0" x 6'-0"

Drawing Number: AC-S-14.00-4

Page Number: 1 OF 1

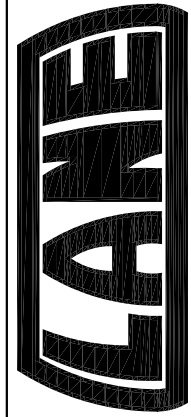
Date Drawn: 5/13/08

Drawn By: JCH

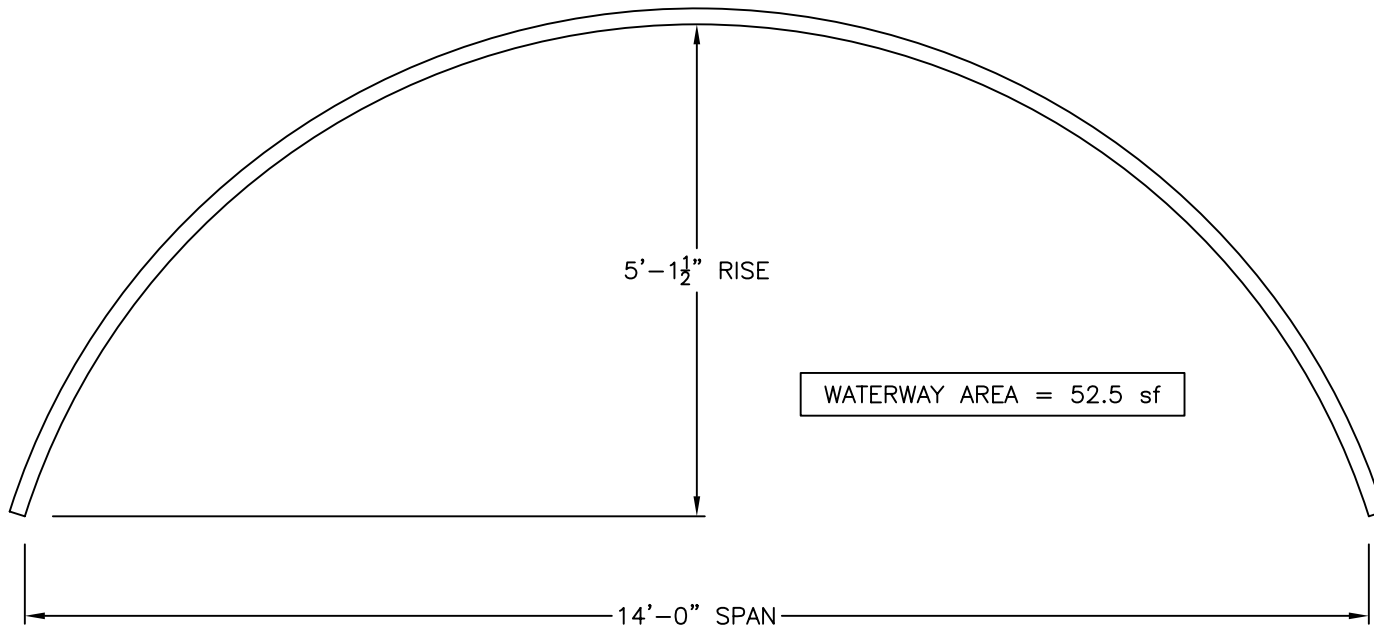


NOTES:

1. DIMENSIONS ARE SHOWN TO THE INSIDE OF THE CORRUGATION CRESTS.
2. DIMENSIONS ARE SUBJECT TO MANUFACTURING TOLERANCES.
3. PLATE LAYOUT WILL BE DETERMINED BY MANUFACTURER.
4. ALL REINFORCING PER MANUFACTURERS REQUIREMENTS.

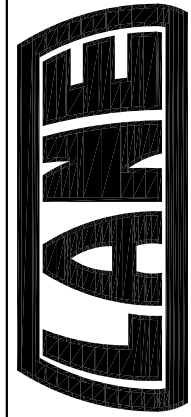


Drawing Number: AC-S-14.00-5		LANE ENTERPRISES, INC.	
Page Number: 1 OF 1	STEEL STRUCTURAL PLATE		
Date Drawn: 5/13/08	ARCH CULVERT DETAIL		
Drawn By: JCH	14'-0" x 5'-7"		



NOTES:

1. DIMENSIONS ARE SHOWN TO THE INSIDE OF THE CORRUGATION CRESTS.
2. DIMENSIONS ARE SUBJECT TO MANUFACTURING TOLERANCES.
3. PLATE LAYOUT WILL BE DETERMINED BY MANUFACTURER.
4. ALL REINFORCING PER MANUFACTURERS REQUIREMENTS.



LANE ENTERPRISES, INC.

STEEL STRUCTURAL PLATE

ARCH CULVERT DETAIL

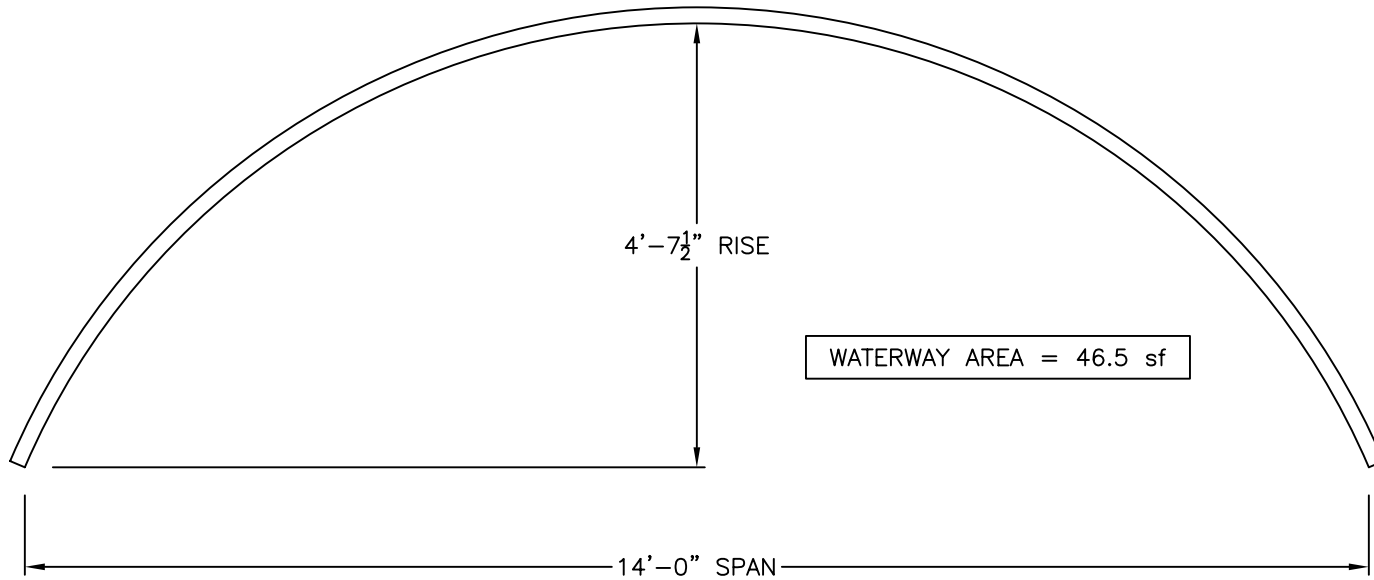
14'-0" x 5'-1 1/2"

Drawing Number: AC-S-14.00-6

Page Number: 1 OF 1

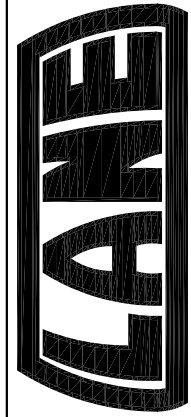
Date Drawn: 5/13/08

Drawn By: JCH



NOTES:

1. DIMENSIONS ARE SHOWN TO THE INSIDE OF THE CORRUGATION CRESTS.
2. DIMENSIONS ARE SUBJECT TO MANUFACTURING TOLERANCES.
3. PLATE LAYOUT WILL BE DETERMINED BY MANUFACTURER.
4. ALL REINFORCING PER MANUFACTURERS REQUIREMENTS.



LANE ENTERPRISES, INC.

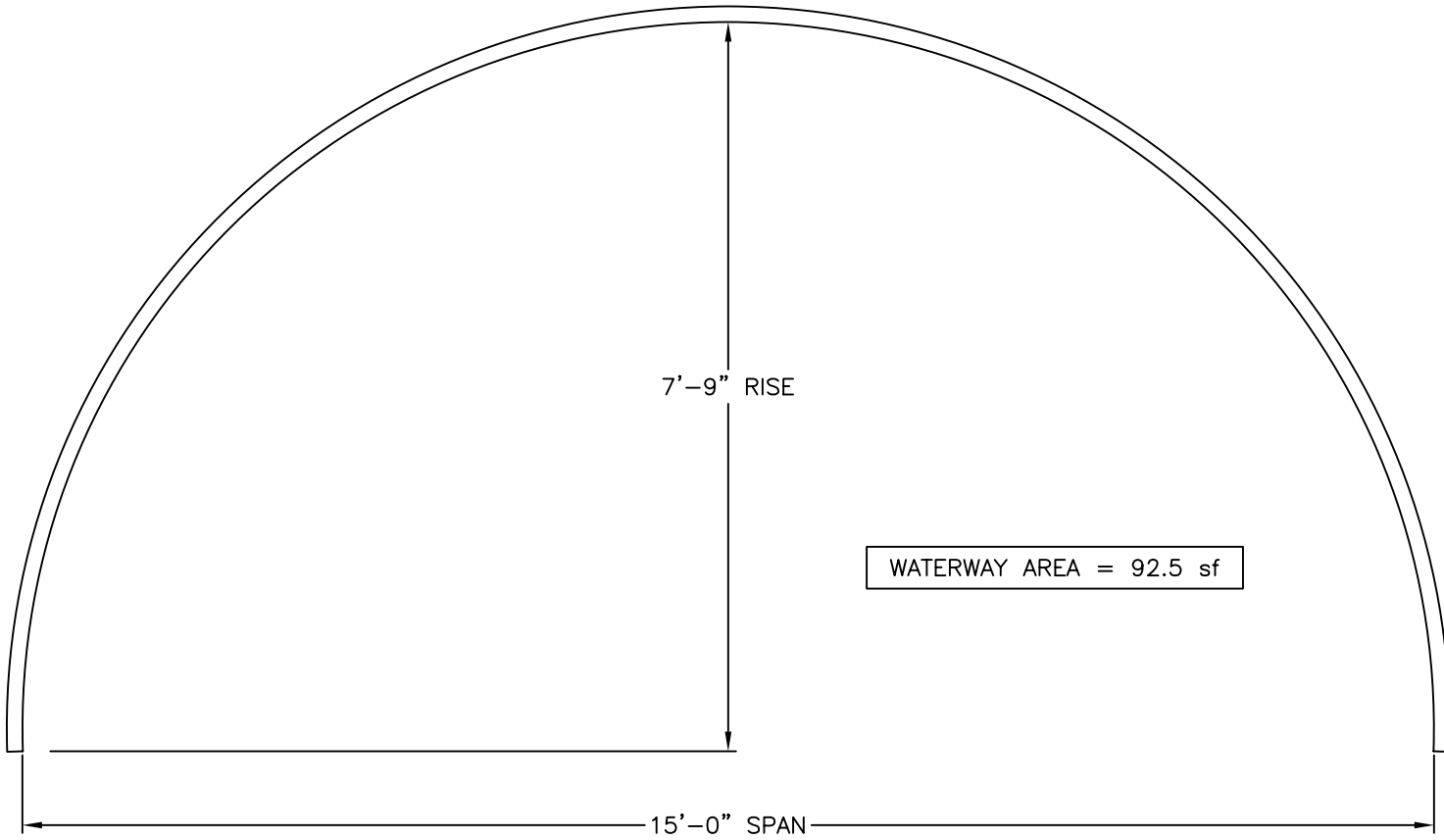
STEEL STRUCTURAL PLATE
 ARCH CULVERT DETAIL
 14'-0" x 4'-7 1/2"

Drawing Number: AC-S-14.00-7

Page Number: 1 OF 1

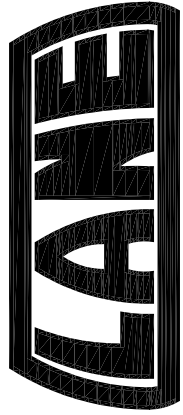
Date Drawn: 5/13/08

Drawn By: JCH



NOTES:

1. DIMENSIONS ARE SHOWN TO THE INSIDE OF THE CORRUGATION CRESTS.
2. DIMENSIONS ARE SUBJECT TO MANUFACTURING TOLERANCES.
3. PLATE LAYOUT WILL BE DETERMINED BY MANUFACTURER.
4. ALL REINFORCING PER MANUFACTURERS REQUIREMENTS.



LANE ENTERPRISES, INC.

STEEL STRUCTURAL PLATE

ARCH CULVERT DETAIL

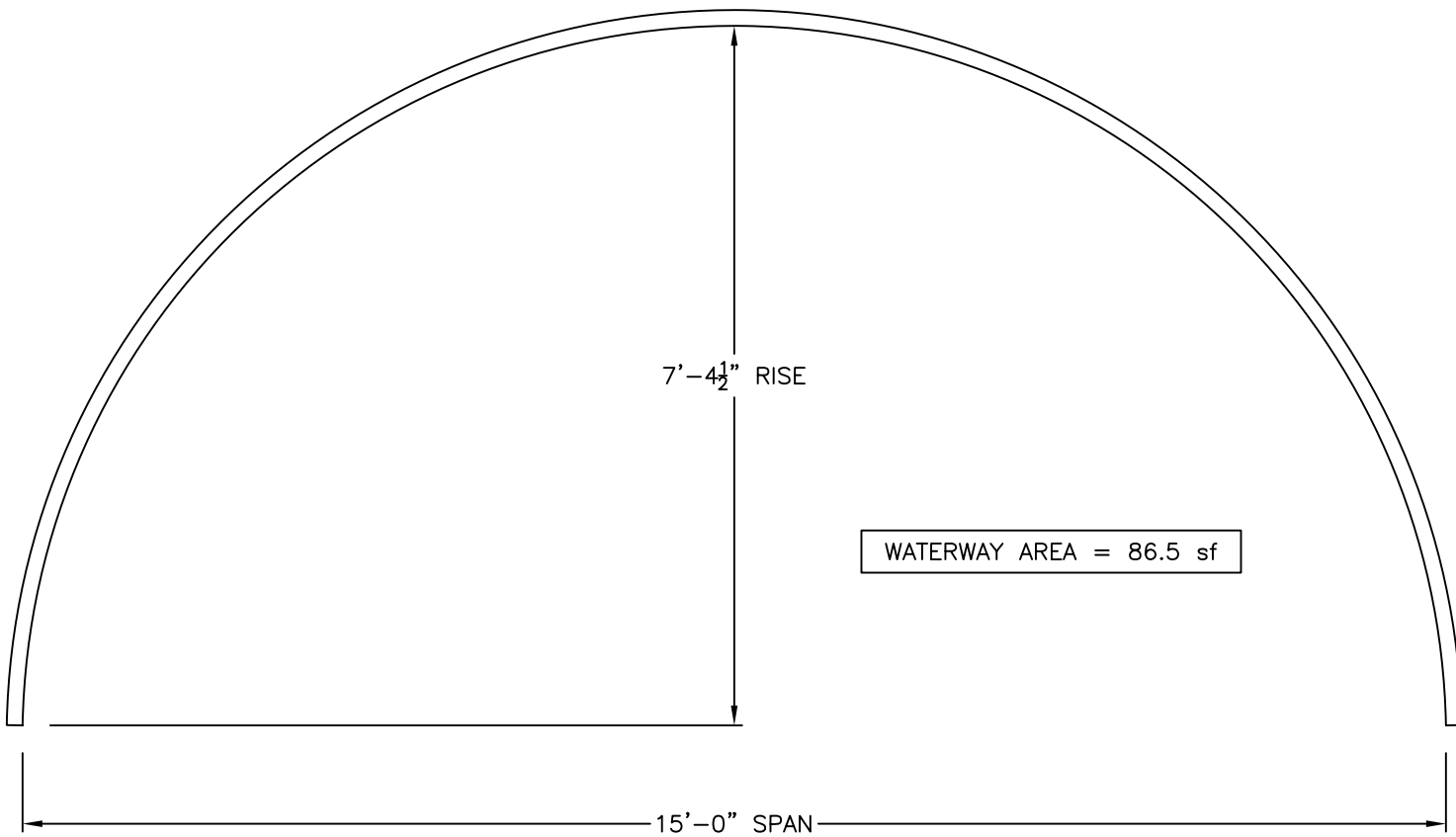
15'-0" x 7'-9"

Drawing Number: AC-S-15.00-1

Page Number: 1 OF 1

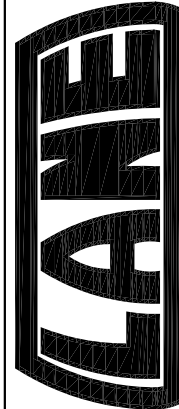
Date Drawn: 5/13/08

Drawn By: JCH



NOTES:

1. DIMENSIONS ARE SHOWN TO THE INSIDE OF THE CORRUGATION CRESTS.
2. DIMENSIONS ARE SUBJECT TO MANUFACTURING TOLERANCES.
3. PLATE LAYOUT WILL BE DETERMINED BY MANUFACTURER.
4. ALL REINFORCING PER MANUFACTURERS REQUIREMENTS.



LANE ENTERPRISES, INC.

STEEL STRUCTURAL PLATE

ARCH CULVERT DETAIL

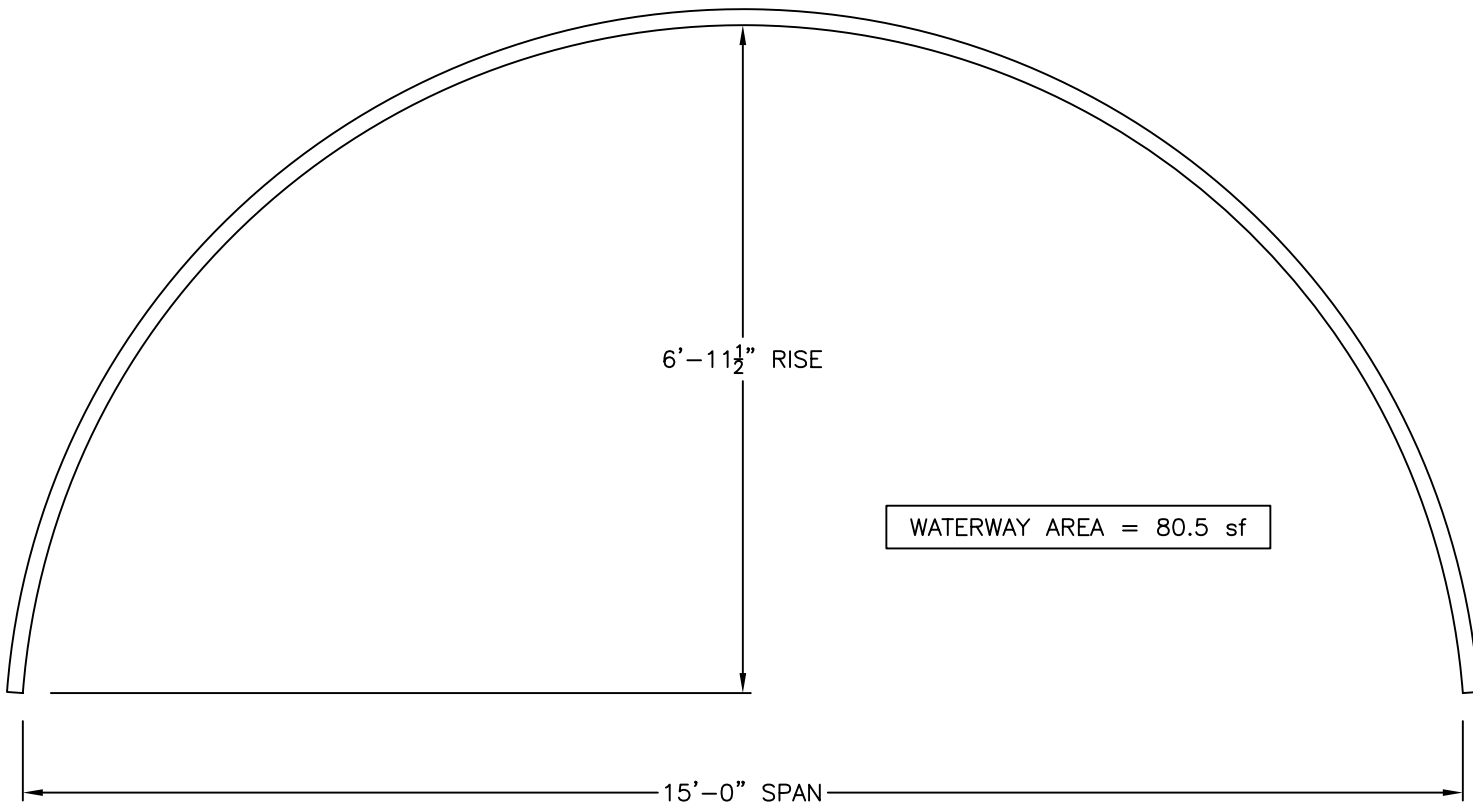
15'-0" x 7'-4 1/2"

Drawing Number: AC-S-15.00-2

Page Number: 1 OF 1

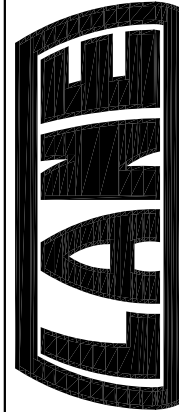
Date Drawn: 5/13/08

Drawn By: JCH



NOTES:

1. DIMENSIONS ARE SHOWN TO THE INSIDE OF THE CORRUGATION CRESTS.
2. DIMENSIONS ARE SUBJECT TO MANUFACTURING TOLERANCES.
3. PLATE LAYOUT WILL BE DETERMINED BY MANUFACTURER.
4. ALL REINFORCING PER MANUFACTURERS REQUIREMENTS.



LANE ENTERPRISES, INC.

STEEL STRUCTURAL PLATE

ARCH CULVERT DETAIL

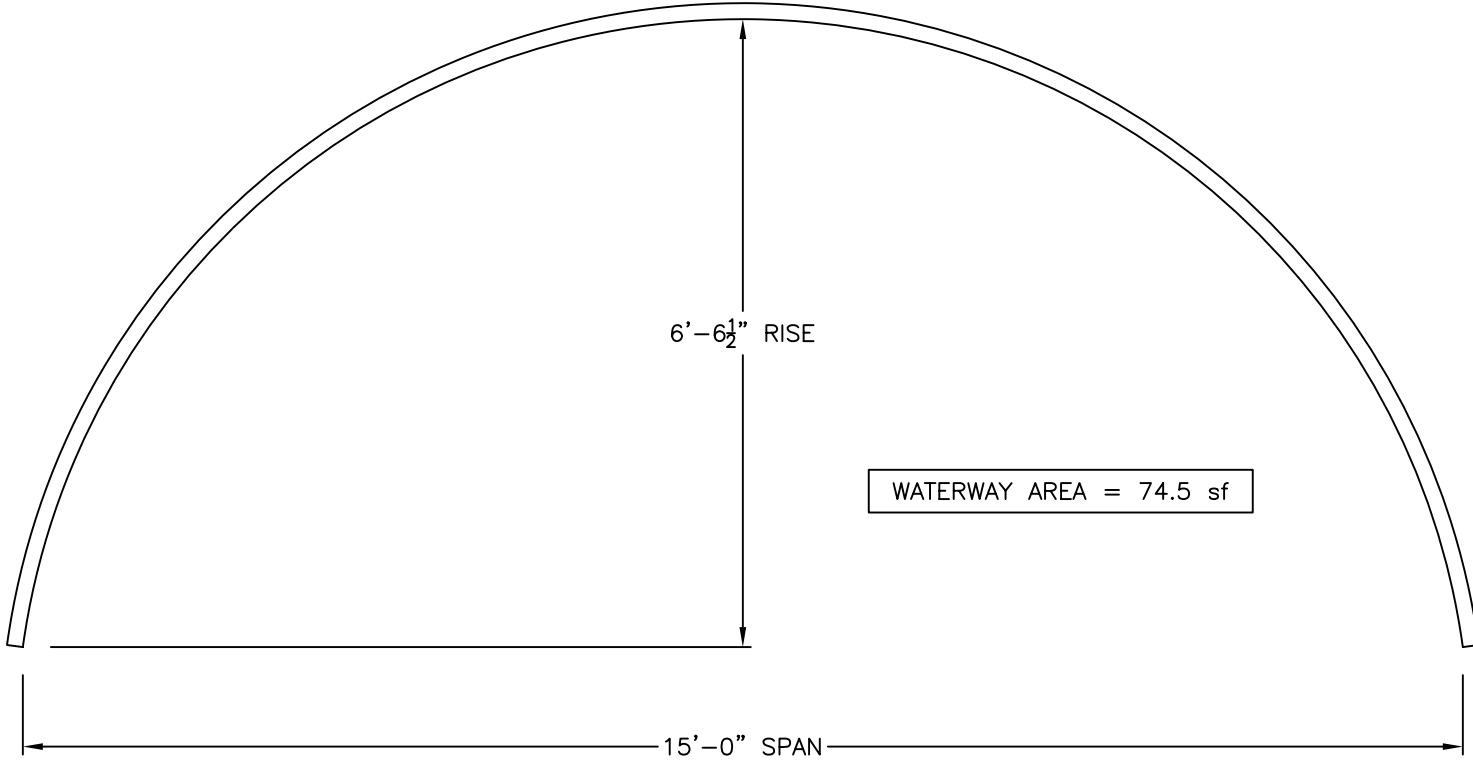
15'-0" x 6'-11 1/2"

Drawing Number: AC-S-15.00-3

Page Number: 1 OF 1

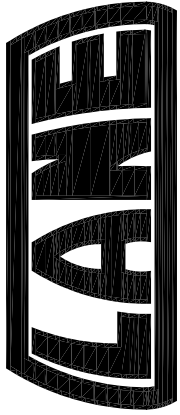
Date Drawn: 5/13/08

Drawn By: JCH



NOTES:

1. DIMENSIONS ARE SHOWN TO THE INSIDE OF THE CORRUGATION CRESTS.
2. DIMENSIONS ARE SUBJECT TO MANUFACTURING TOLERANCES.
3. PLATE LAYOUT WILL BE DETERMINED BY MANUFACTURER.
4. ALL REINFORCING PER MANUFACTURERS REQUIREMENTS.



LANE ENTERPRISES, INC.

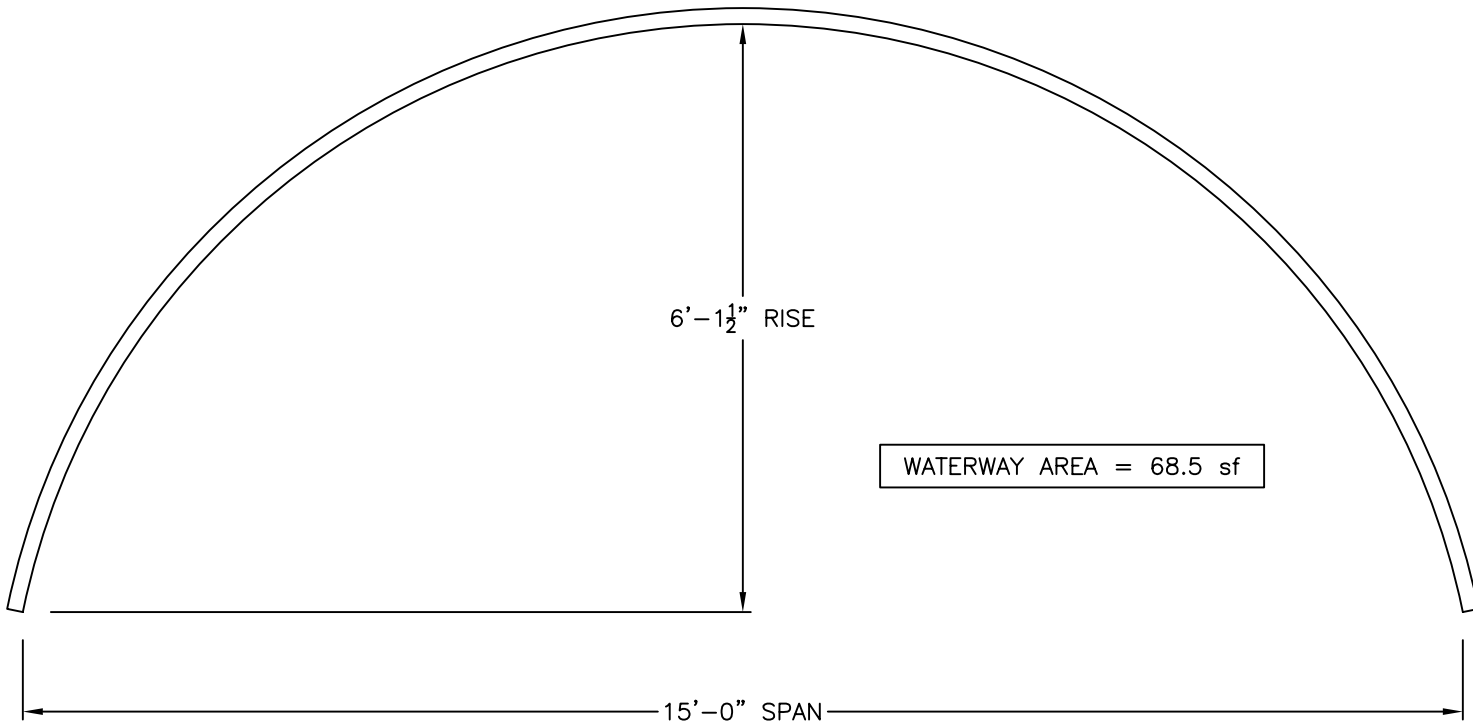
STEEL STRUCTURAL PLATE
 ARCH CULVERT DETAIL
 15'-0" x 6'-6 1/2"

Drawing Number: AC-S-15.00-4

Page Number: 1 OF 1

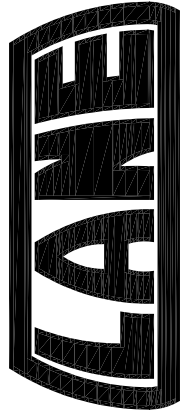
Date Drawn: 5/13/08

Drawn By: JCH



NOTES:

1. DIMENSIONS ARE SHOWN TO THE INSIDE OF THE CORRUGATION CRESTS.
2. DIMENSIONS ARE SUBJECT TO MANUFACTURING TOLERANCES.
3. PLATE LAYOUT WILL BE DETERMINED BY MANUFACTURER.
4. ALL REINFORCING PER MANUFACTURERS REQUIREMENTS.



LANE ENTERPRISES, INC.

STEEL STRUCTURAL PLATE

ARCH CULVERT DETAIL

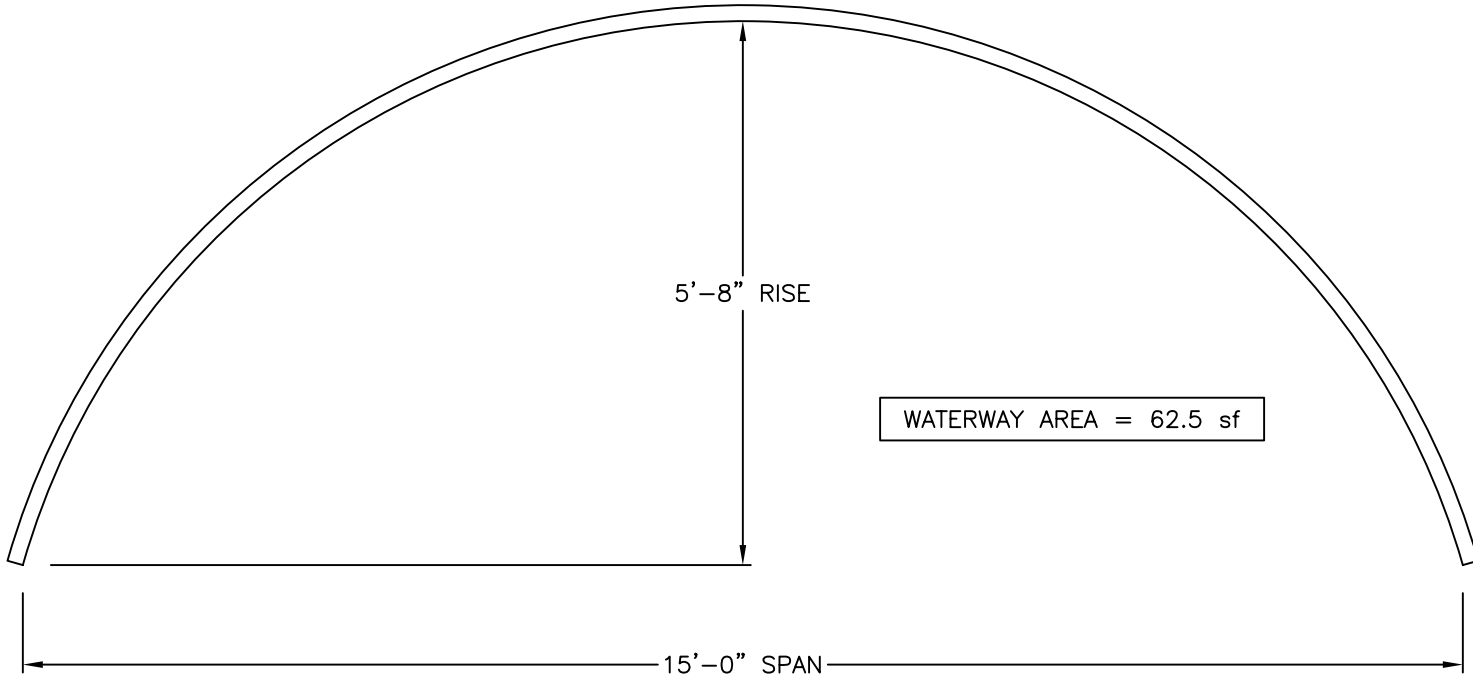
15'-0" x 6'-1 1/2"

Drawing Number: AC-S-15.00-5

Page Number: 1 OF 1

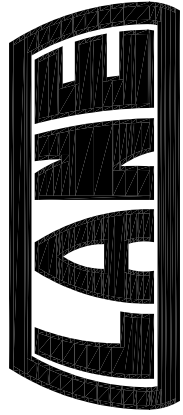
Date Drawn: 5/13/08

Drawn By: JCH



NOTES:

1. DIMENSIONS ARE SHOWN TO THE INSIDE OF THE CORRUGATION CRESTS.
2. DIMENSIONS ARE SUBJECT TO MANUFACTURING TOLERANCES.
3. PLATE LAYOUT WILL BE DETERMINED BY MANUFACTURER.
4. ALL REINFORCING PER MANUFACTURERS REQUIREMENTS.



LANE ENTERPRISES, INC.

STEEL STRUCTURAL PLATE

ARCH CULVERT DETAIL

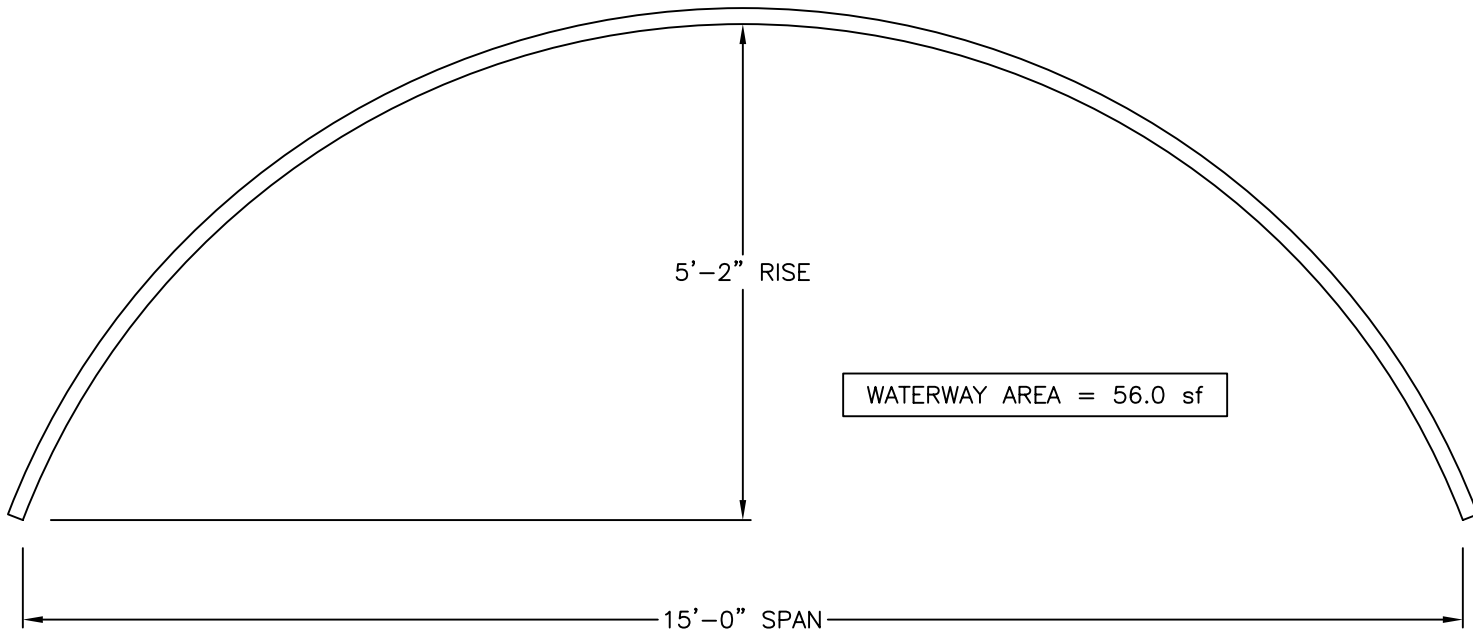
15'-0" x 5'-8"

Drawing Number: AC-S-15.00-6

Page Number: 1 OF 1

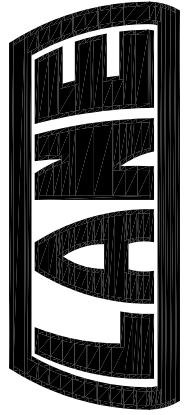
Date Drawn: 5/13/08

Drawn By: JCH



NOTES:

1. DIMENSIONS ARE SHOWN TO THE INSIDE OF THE CORRUGATION CRESTS.
2. DIMENSIONS ARE SUBJECT TO MANUFACTURING TOLERANCES.
3. PLATE LAYOUT WILL BE DETERMINED BY MANUFACTURER.
4. ALL REINFORCING PER MANUFACTURERS REQUIREMENTS.



LANE ENTERPRISES, INC.

STEEL STRUCTURAL PLATE

ARCH CULVERT DETAIL

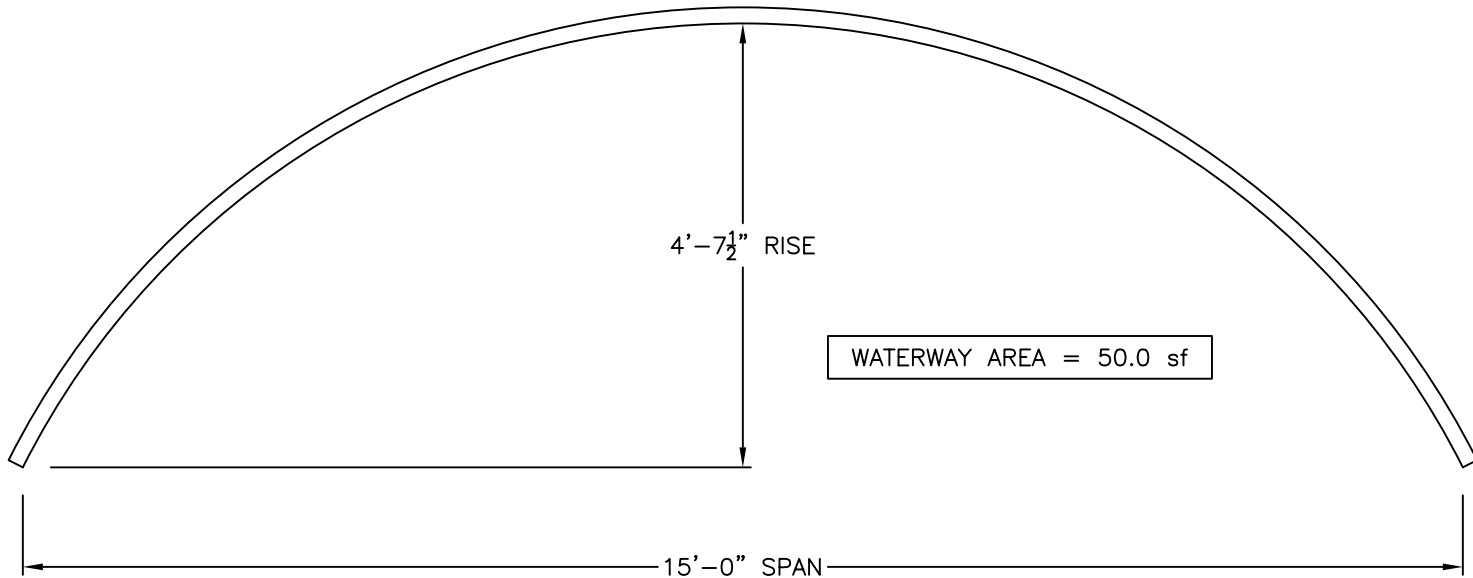
15'-0" x 5'-2"

Drawing Number: AC-S-15.00-7

Page Number: 1 OF 1

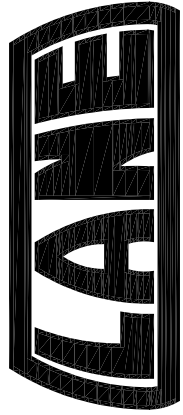
Date Drawn: 5/13/08

Drawn By: JCH



NOTES:

1. DIMENSIONS ARE SHOWN TO THE INSIDE OF THE CORRUGATION CRESTS.
2. DIMENSIONS ARE SUBJECT TO MANUFACTURING TOLERANCES.
3. PLATE LAYOUT WILL BE DETERMINED BY MANUFACTURER.
4. ALL REINFORCING PER MANUFACTURERS REQUIREMENTS.



LANE ENTERPRISES, INC.

STEEL STRUCTURAL PLATE

ARCH CULVERT DETAIL

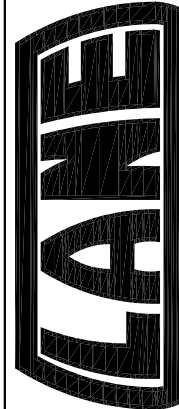
15'-0" x 4'-7 1/2"

Drawing Number: AC-S-15.00-8

Page Number: 1 OF 1

Date Drawn: 5/13/08

Drawn By: JCH



LANE ENTERPRISES, INC.

STEEL STRUCTURAL PLATE

ARCH CULVERT DETAIL

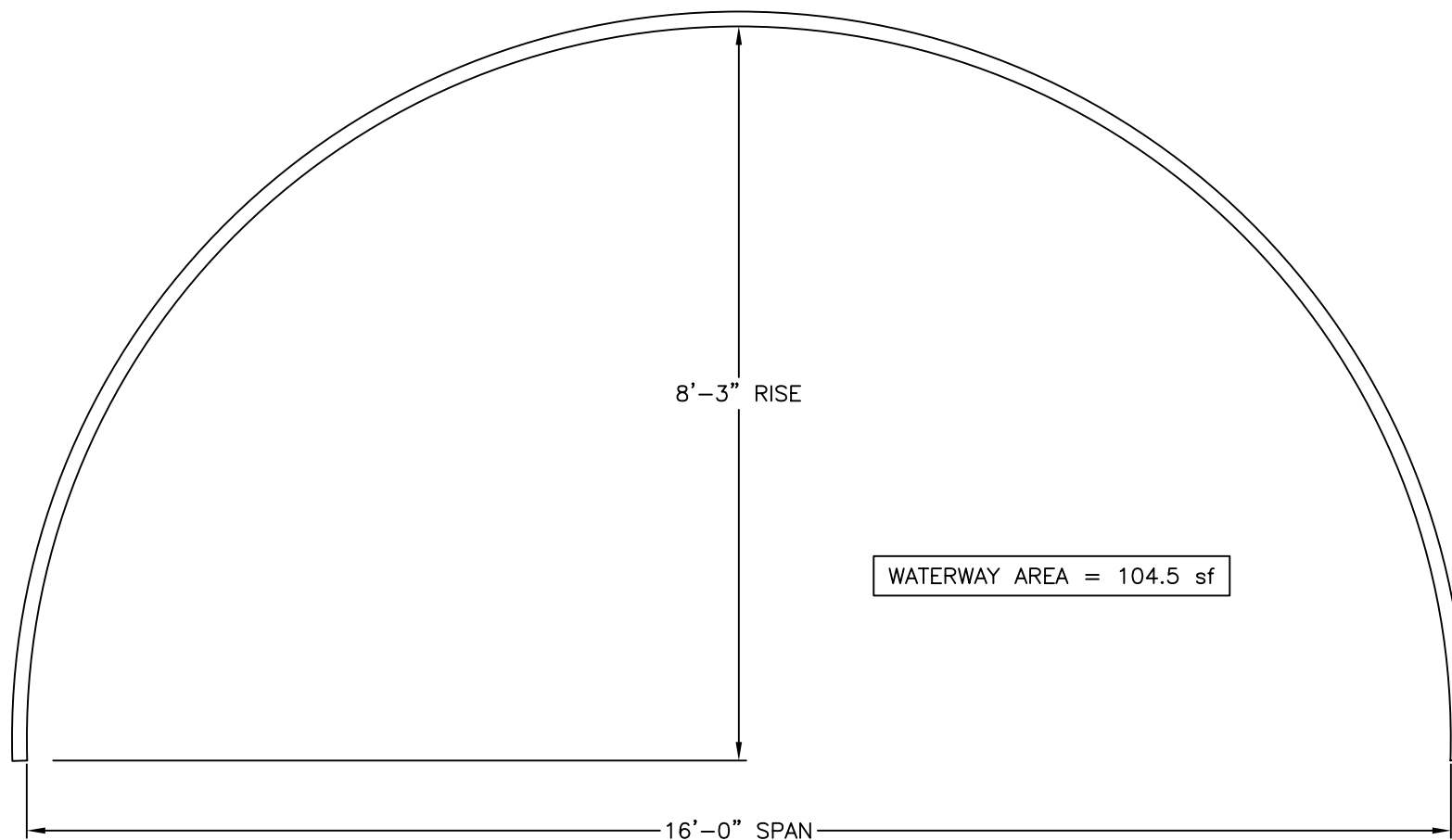
16'-0" x 8'-3"

Drawing Number: AC-S-16.00-1

Page Number: 1 OF 1

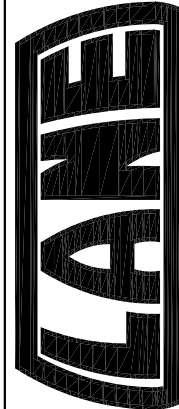
Date Drawn: 5/13/08

Drawn By: JCH



NOTES:

1. DIMENSIONS ARE SHOWN TO THE INSIDE OF THE CORRUGATION CRESTS.
2. DIMENSIONS ARE SUBJECT TO MANUFACTURING TOLERANCES.
3. PLATE LAYOUT WILL BE DETERMINED BY MANUFACTURER.
4. ALL REINFORCING PER MANUFACTURERS REQUIREMENTS.



LANE ENTERPRISES, INC.

STEEL STRUCTURAL PLATE

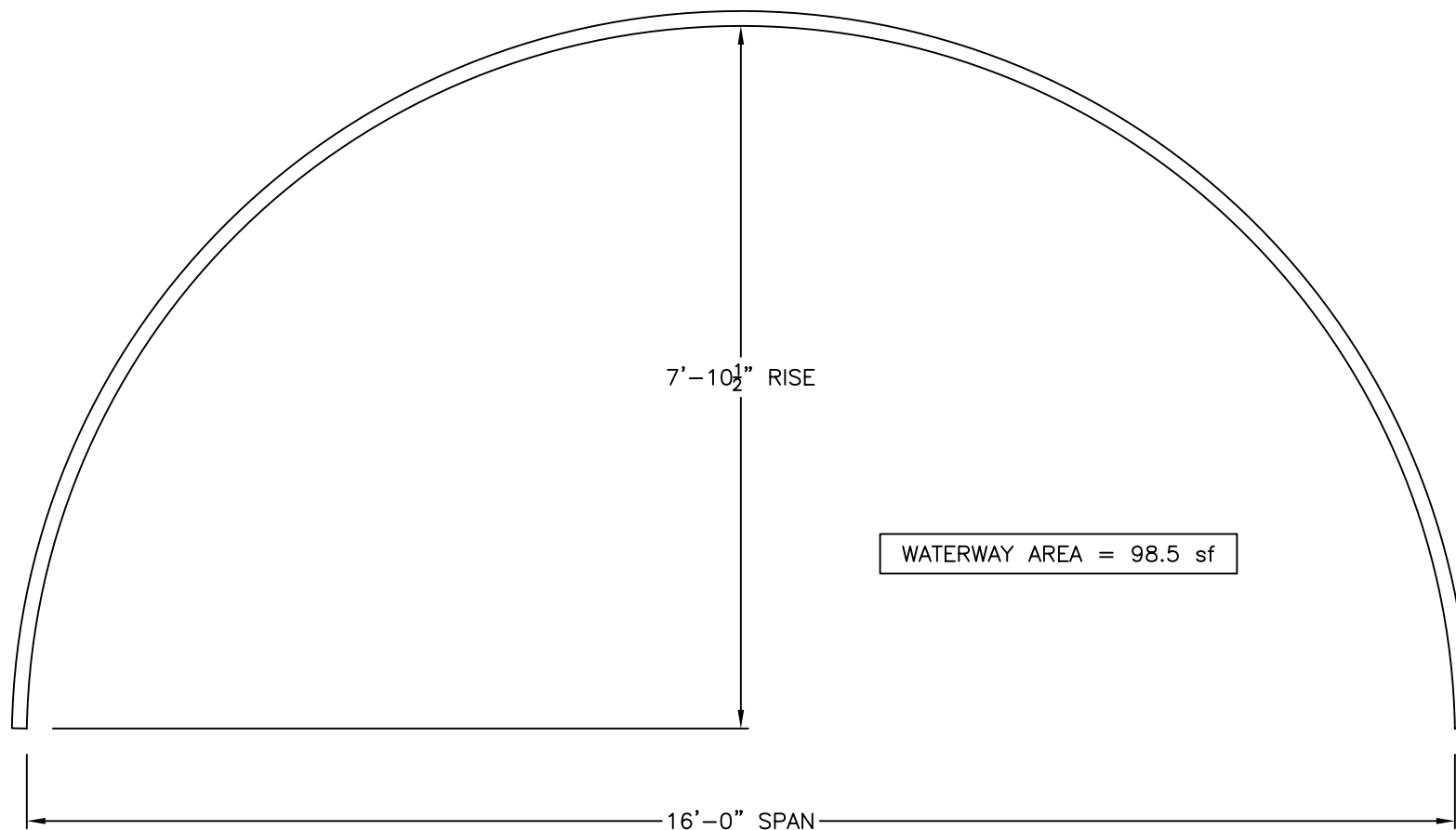
ARCH CULVERT DETAIL
16'-0" x 7'-10 1/2"

Drawing Number: AC-S-16.00-2

Page Number: 1 OF 1

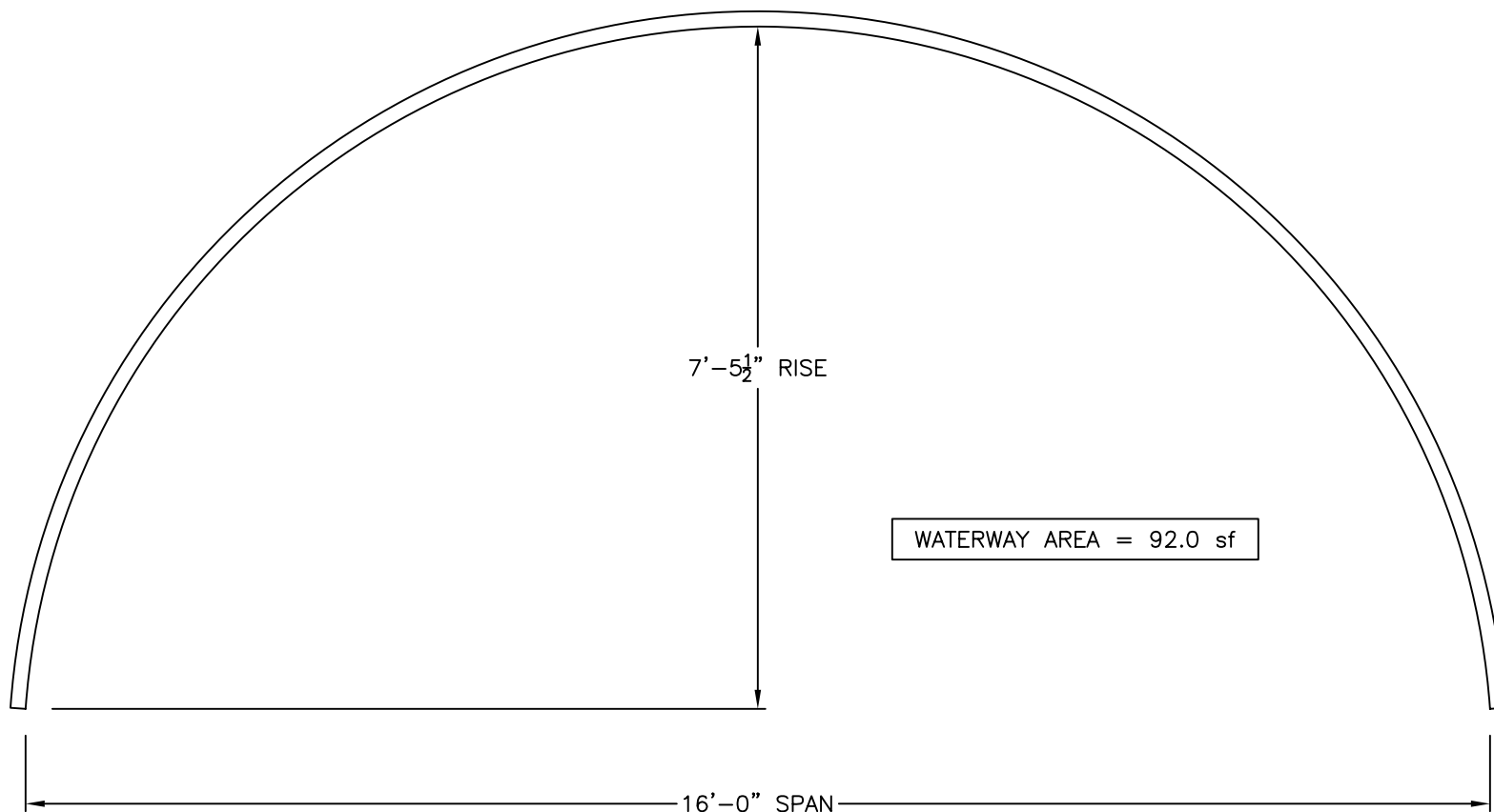
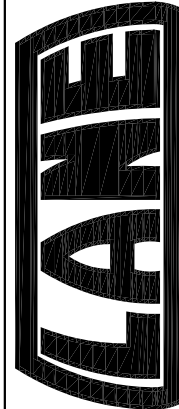
Date Drawn: 5/13/08

Drawn By: JCH



NOTES:

1. DIMENSIONS ARE SHOWN TO THE INSIDE OF THE CORRUGATION CRESTS.
2. DIMENSIONS ARE SUBJECT TO MANUFACTURING TOLERANCES.
3. PLATE LAYOUT WILL BE DETERMINED BY MANUFACTURER.
4. ALL REINFORCING PER MANUFACTURERS REQUIREMENTS.



LANE ENTERPRISES, INC.

STEEL STRUCTURAL PLATE

ARCH CULVERT DETAIL

16'-0" x 7'-5 1/2"

Drawing Number: AC-S-16.00-3

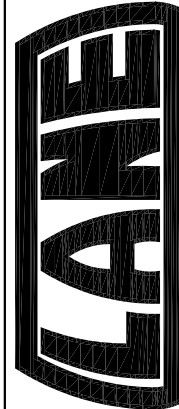
Page Number: 1 OF 1

Date Drawn: 5/13/08

Drawn By: JCH

NOTES:

1. DIMENSIONS ARE SHOWN TO THE INSIDE OF THE CORRUGATION CRESTS.
2. DIMENSIONS ARE SUBJECT TO MANUFACTURING TOLERANCES.
3. PLATE LAYOUT WILL BE DETERMINED BY MANUFACTURER.
4. ALL REINFORCING PER MANUFACTURERS REQUIREMENTS.



LANE ENTERPRISES, INC.

STEEL STRUCTURAL PLATE

ARCH CULVERT DETAIL

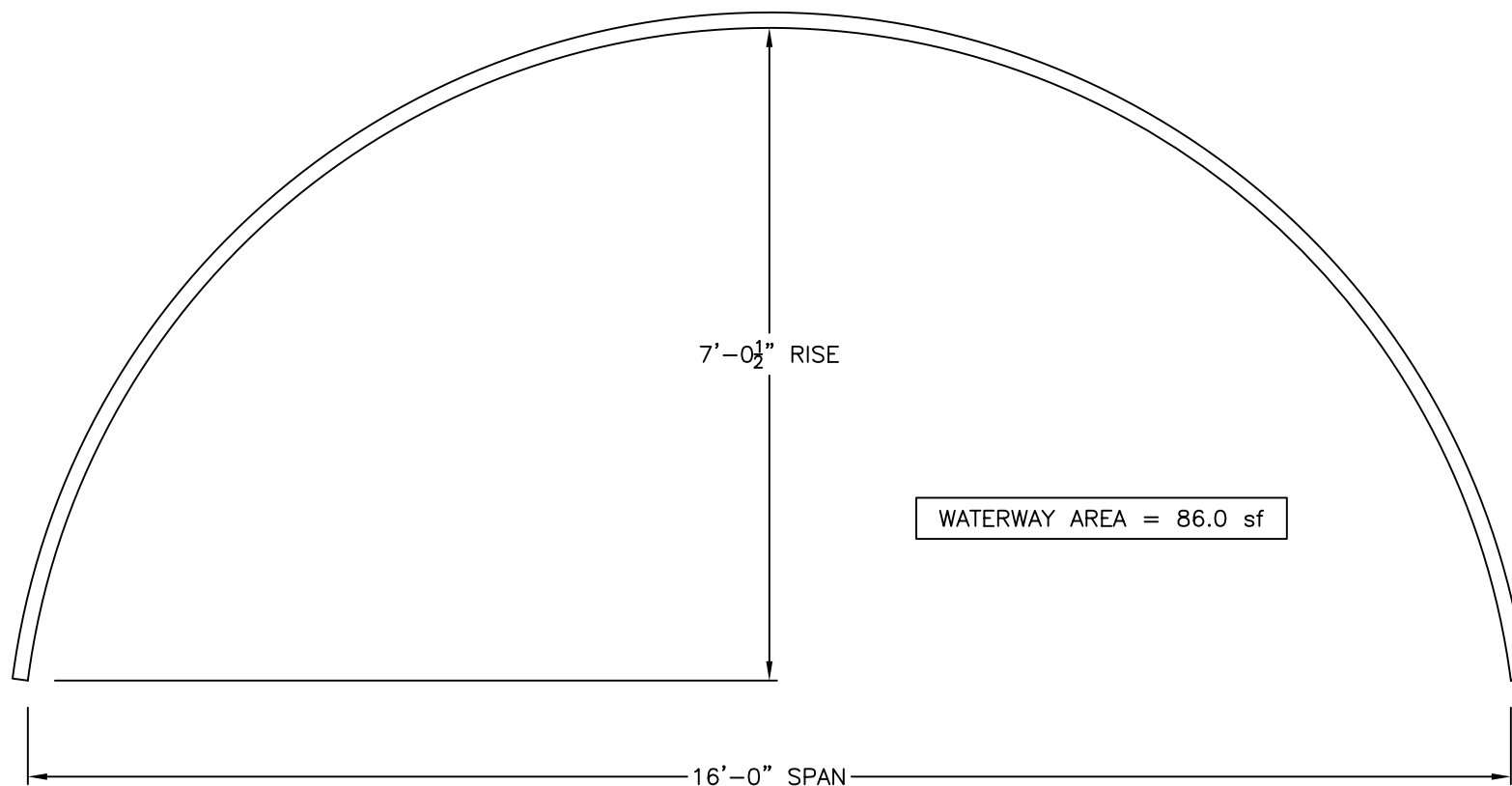
16'-0" x 7'-0 1/2"

Drawing Number: AC-S-16.00-4

Page Number: 1 OF 1

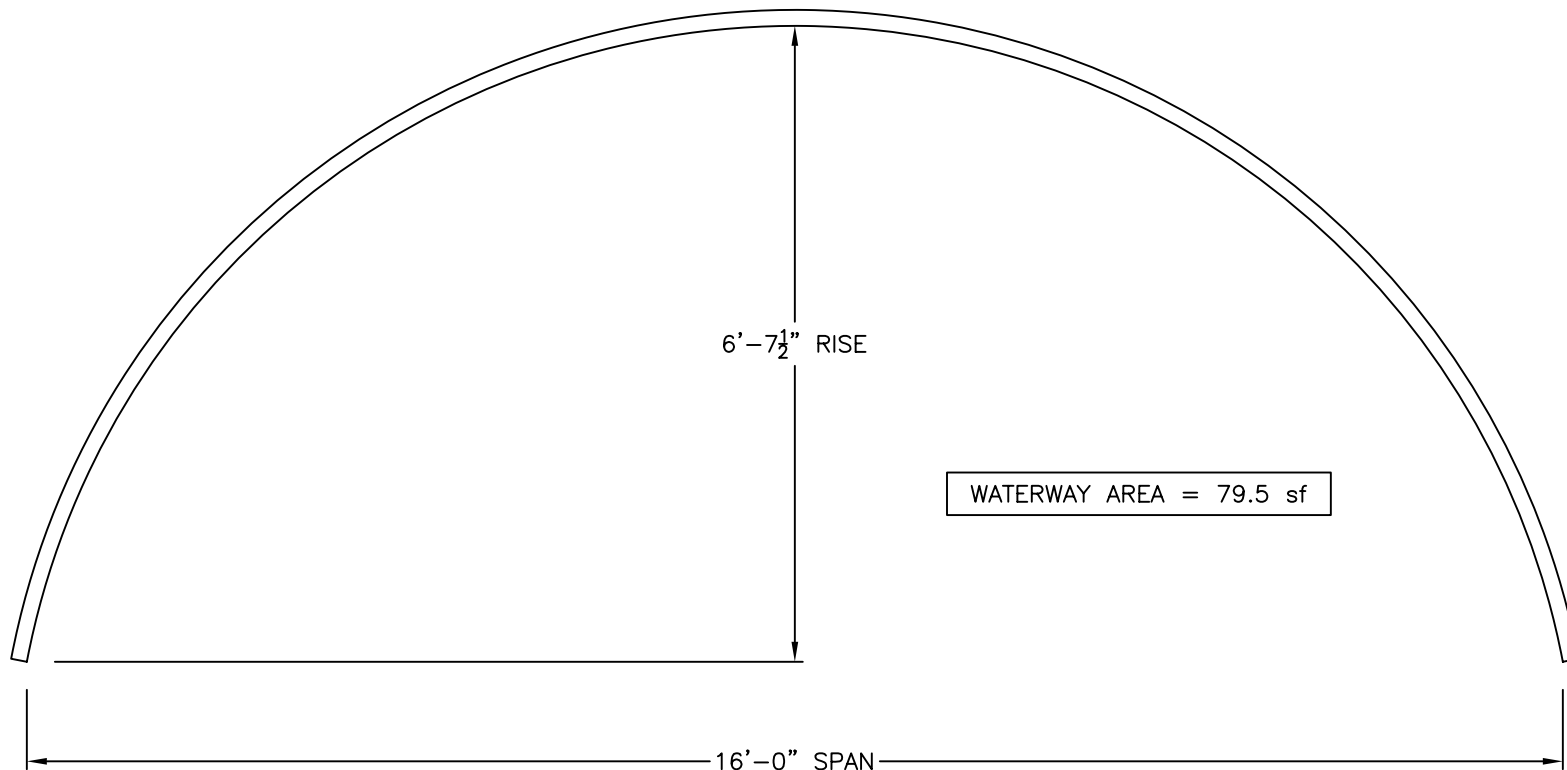
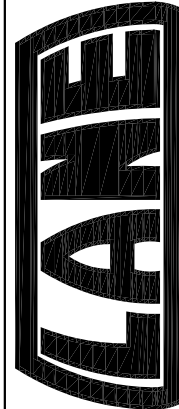
Date Drawn: 5/13/08

Drawn By: JCH



NOTES:

1. DIMENSIONS ARE SHOWN TO THE INSIDE OF THE CORRUGATION CRESTS.
2. DIMENSIONS ARE SUBJECT TO MANUFACTURING TOLERANCES.
3. PLATE LAYOUT WILL BE DETERMINED BY MANUFACTURER.
4. ALL REINFORCING PER MANUFACTURERS REQUIREMENTS.



LANE ENTERPRISES, INC.

STEEL STRUCTURAL PLATE

ARCH CULVERT DETAIL

16'-0" x 6'-7 1/2"

Drawing Number: AC-S-16.00-5

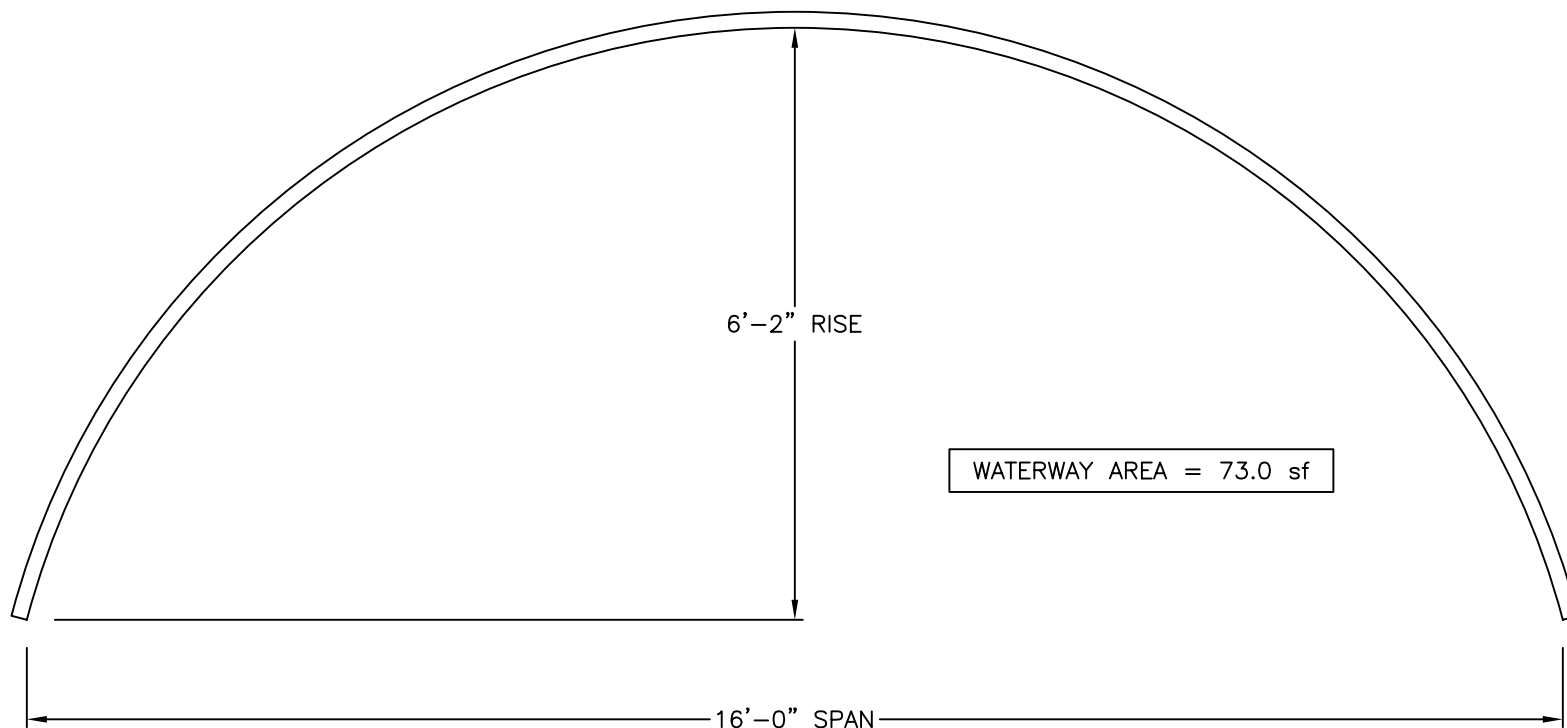
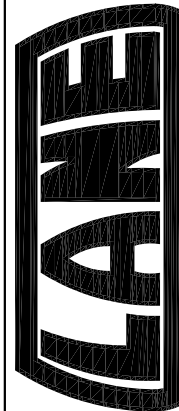
Page Number: 1 OF 1

Date Drawn: 5/13/08

Drawn By: JCH

NOTES:

1. DIMENSIONS ARE SHOWN TO THE INSIDE OF THE CORRUGATION CRESTS.
2. DIMENSIONS ARE SUBJECT TO MANUFACTURING TOLERANCES.
3. PLATE LAYOUT WILL BE DETERMINED BY MANUFACTURER.
4. ALL REINFORCING PER MANUFACTURERS REQUIREMENTS.



LANE ENTERPRISES, INC.

STEEL STRUCTURAL PLATE

ARCH CULVERT DETAIL

16'-0" x 6'-2"

Drawing Number: AC-S-16.00-6

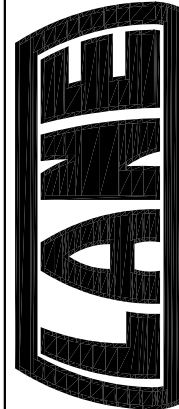
Page Number: 1 OF 1

Date Drawn: 5/13/08

Drawn By: JCH

NOTES:

1. DIMENSIONS ARE SHOWN TO THE INSIDE OF THE CORRUGATION CRESTS.
2. DIMENSIONS ARE SUBJECT TO MANUFACTURING TOLERANCES.
3. PLATE LAYOUT WILL BE DETERMINED BY MANUFACTURER.
4. ALL REINFORCING PER MANUFACTURERS REQUIREMENTS.



LANE ENTERPRISES, INC.

STEEL STRUCTURAL PLATE

ARCH CULVERT DETAIL

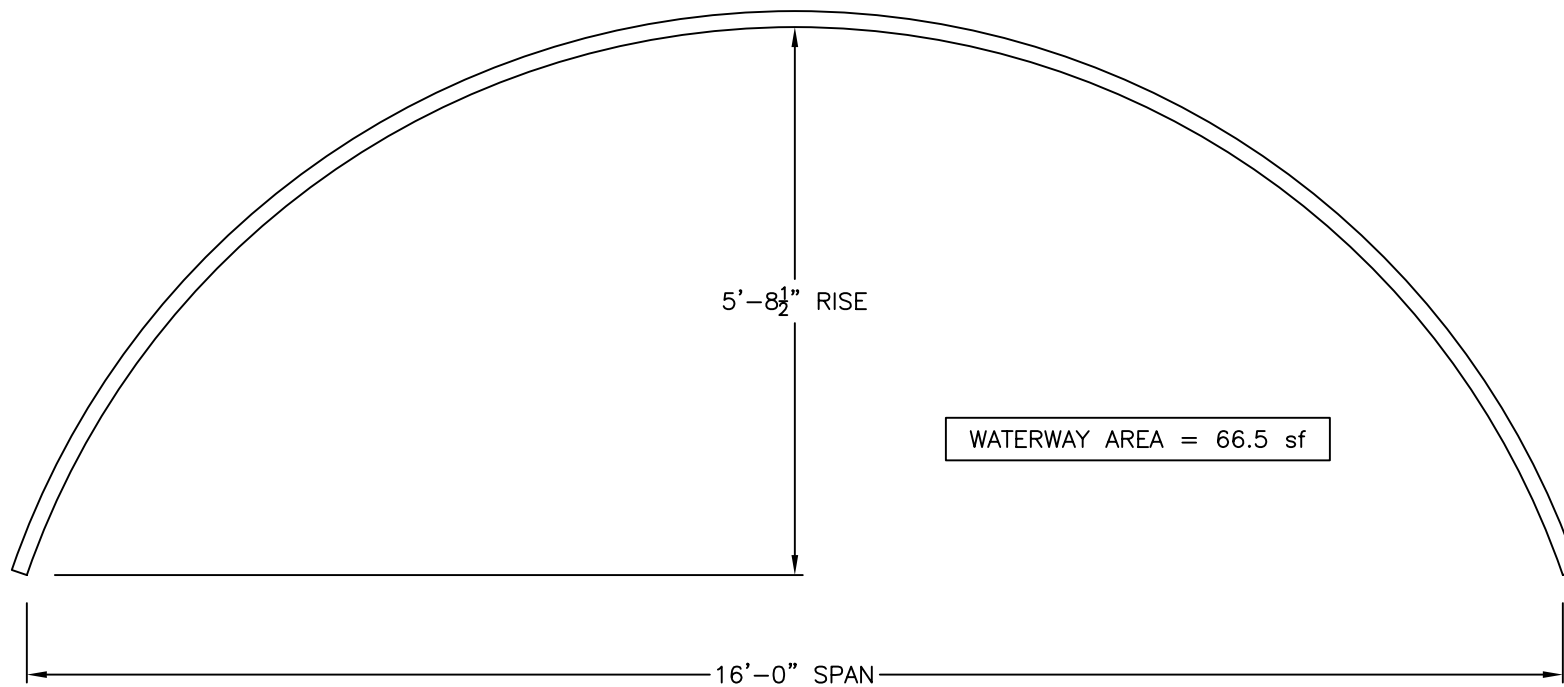
16'-0" x 5'-8 1/2"

Drawing Number: AC-S-16.00-7

Page Number: 1 OF 1

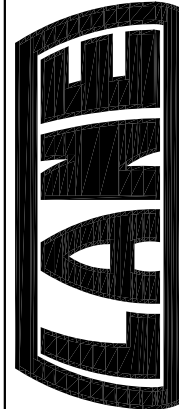
Date Drawn: 5/13/08

Drawn By: JCH



NOTES:

1. DIMENSIONS ARE SHOWN TO THE INSIDE OF THE CORRUGATION CRESTS.
2. DIMENSIONS ARE SUBJECT TO MANUFACTURING TOLERANCES.
3. PLATE LAYOUT WILL BE DETERMINED BY MANUFACTURER.
4. ALL REINFORCING PER MANUFACTURERS REQUIREMENTS.



LANE ENTERPRISES, INC.

STEEL STRUCTURAL PLATE

ARCH CULVERT DETAIL

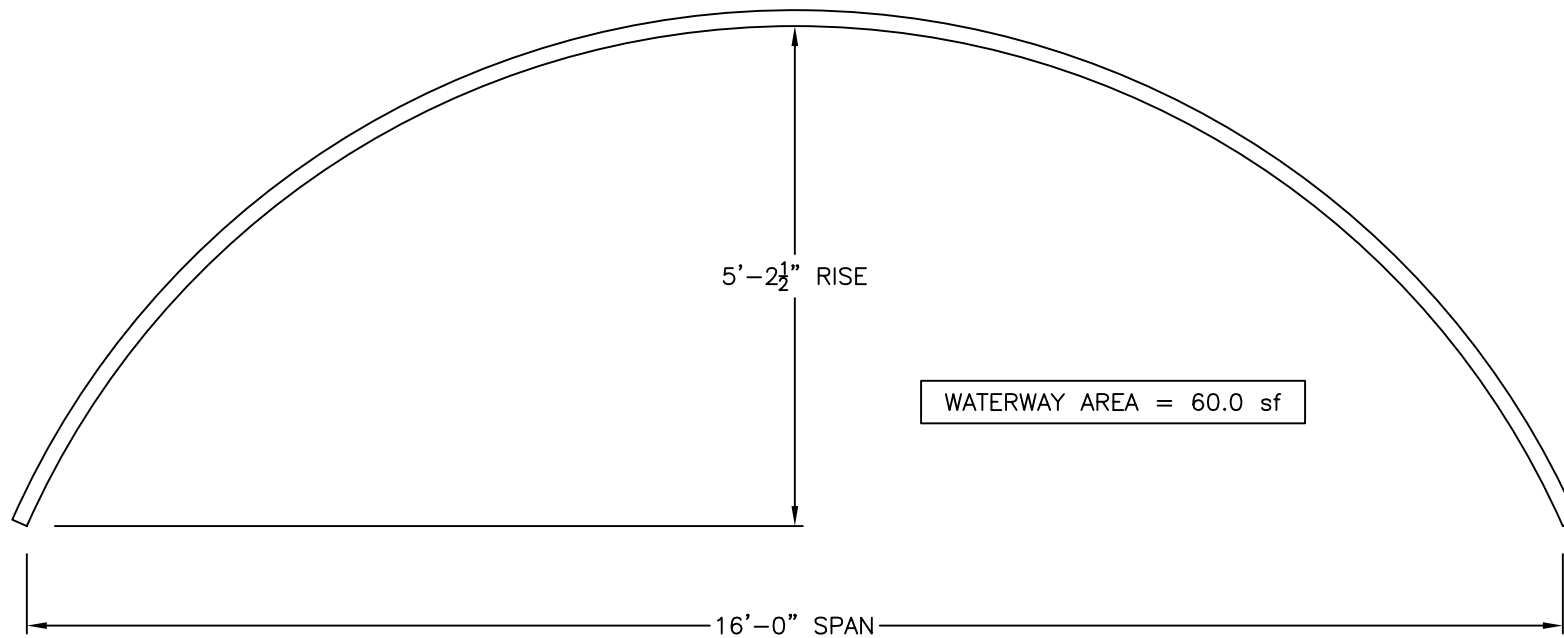
16'-0" x 5'-2 1/2"

Drawing Number: AC-S-16.00-8

Page Number: 1 OF 1

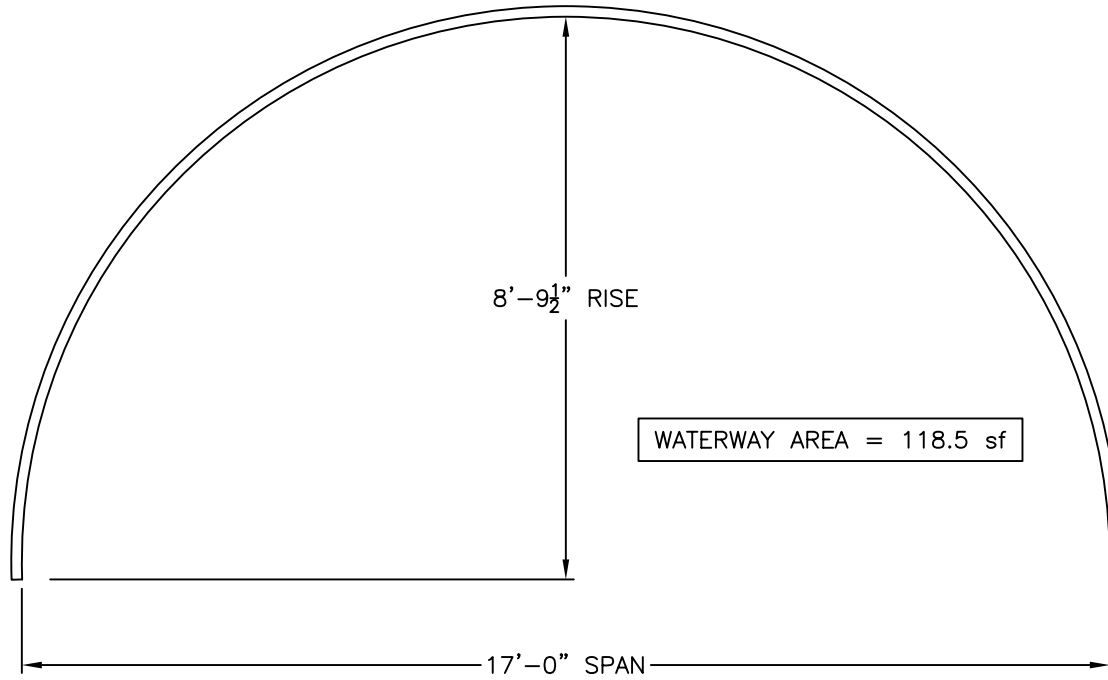
Date Drawn: 5/13/08

Drawn By: JCH



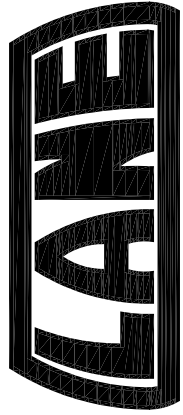
NOTES:

1. DIMENSIONS ARE SHOWN TO THE INSIDE OF THE CORRUGATION CRESTS.
2. DIMENSIONS ARE SUBJECT TO MANUFACTURING TOLERANCES.
3. PLATE LAYOUT WILL BE DETERMINED BY MANUFACTURER.
4. ALL REINFORCING PER MANUFACTURERS REQUIREMENTS.



NOTES:

1. DIMENSIONS ARE SHOWN TO THE INSIDE OF THE CORRUGATION CRESTS.
2. DIMENSIONS ARE SUBJECT TO MANUFACTURING TOLERANCES.
3. PLATE LAYOUT WILL BE DETERMINED BY MANUFACTURER.
4. ALL REINFORCING PER MANUFACTURERS REQUIREMENTS.



LANE ENTERPRISES, INC.

STEEL STRUCTURAL PLATE

ARCH CULVERT DETAIL

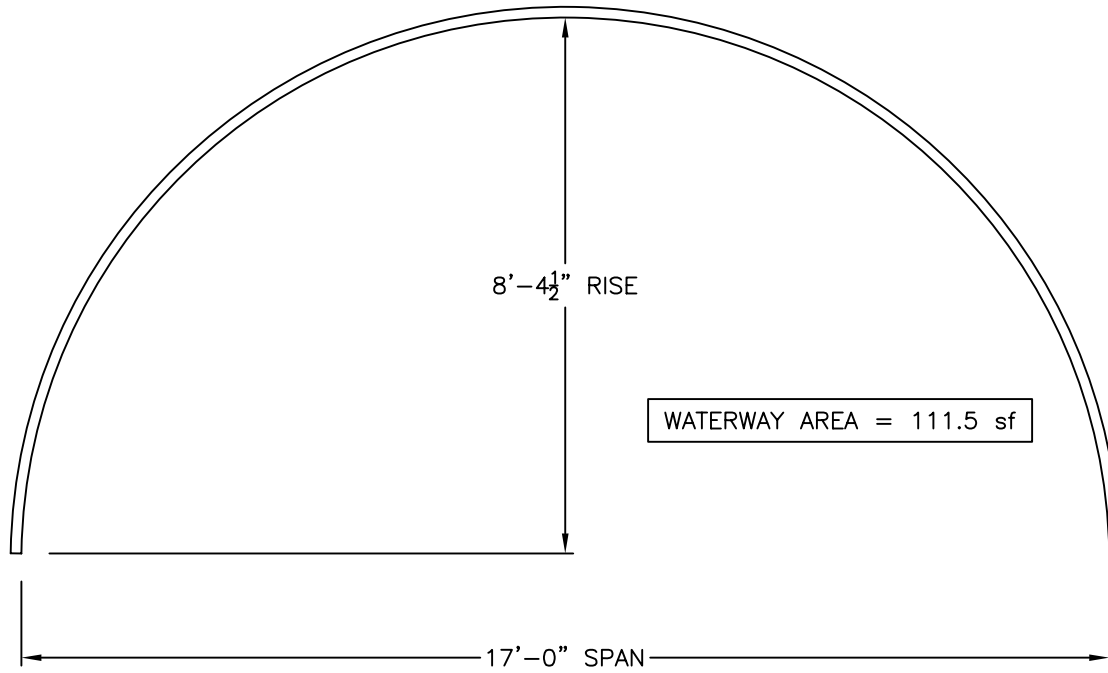
17'-0" x 8'-9 1/2"

Drawing Number: AC-S-17.00-1

Page Number: 1 OF 1

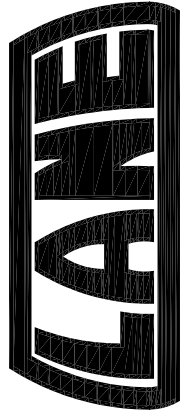
Date Drawn: 5/19/08

Drawn By: JCH



NOTES:

1. DIMENSIONS ARE SHOWN TO THE INSIDE OF THE CORRUGATION CRESTS.
2. DIMENSIONS ARE SUBJECT TO MANUFACTURING TOLERANCES.
3. PLATE LAYOUT WILL BE DETERMINED BY MANUFACTURER.
4. ALL REINFORCING PER MANUFACTURERS REQUIREMENTS.



LANE ENTERPRISES, INC.

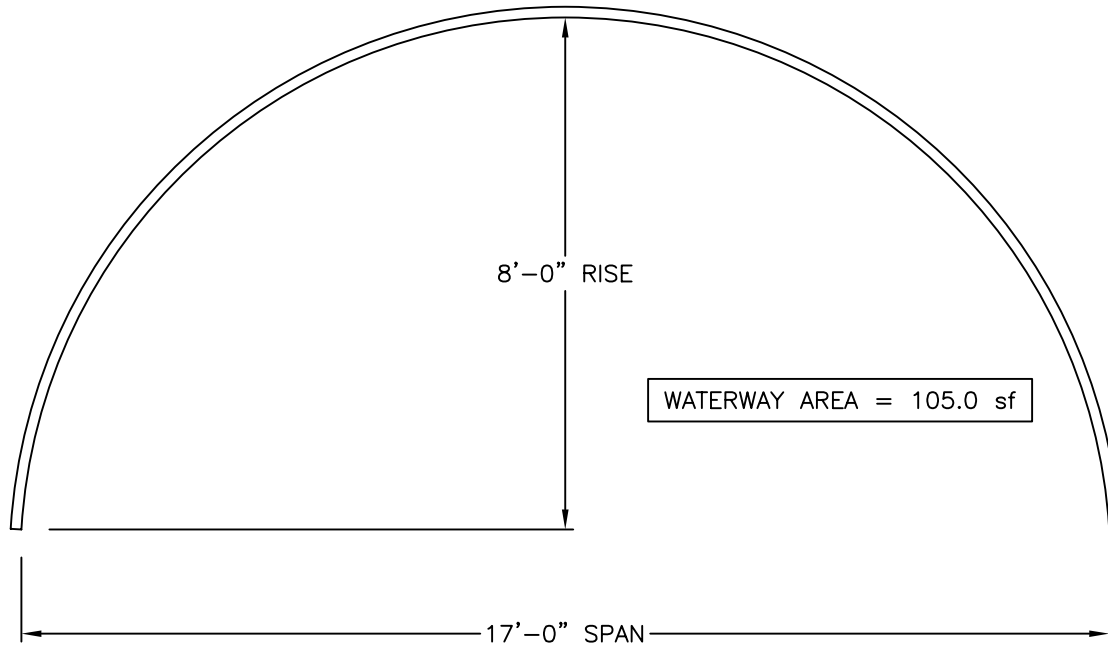
STEEL STRUCTURAL PLATE
 ARCH CULVERT DETAIL
 17'-0" x 8'-4 1/2"

Drawing Number: AC-S-17.00-2

Page Number: 1 OF 1

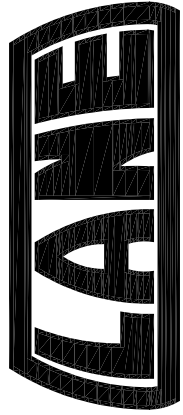
Date Drawn: 5/19/08

Drawn By: JCH



NOTES:

1. DIMENSIONS ARE SHOWN TO THE INSIDE OF THE CORRUGATION CRESTS.
2. DIMENSIONS ARE SUBJECT TO MANUFACTURING TOLERANCES.
3. PLATE LAYOUT WILL BE DETERMINED BY MANUFACTURER.
4. ALL REINFORCING PER MANUFACTURERS REQUIREMENTS.



LANE ENTERPRISES, INC.

STEEL STRUCTURAL PLATE

ARCH CULVERT DETAIL

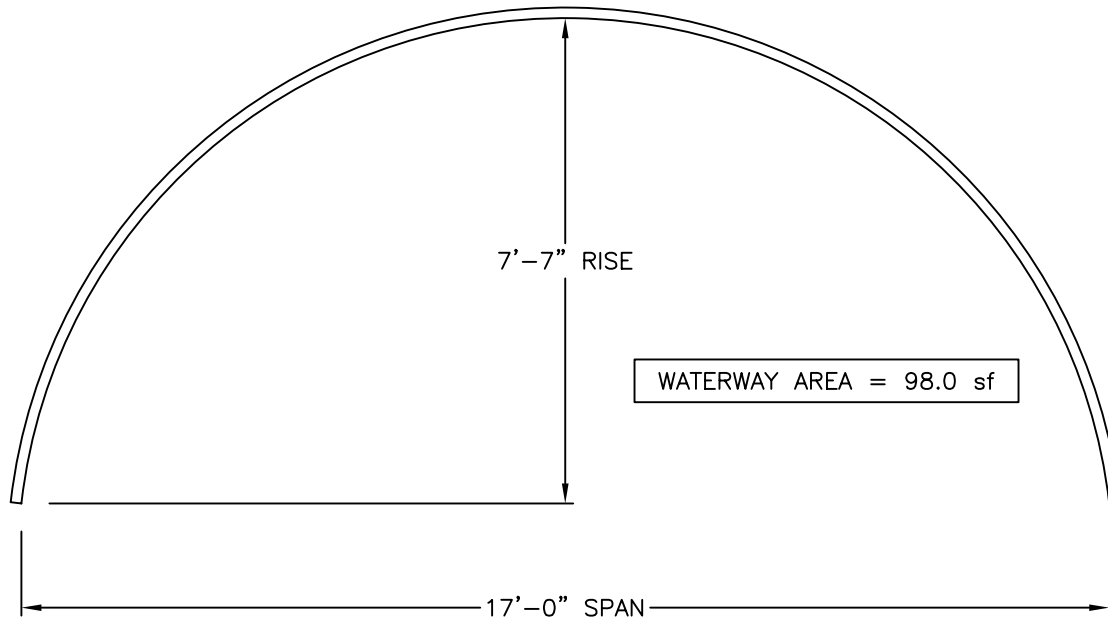
17'-0" x 8'-0"

Drawing Number: AC-S-17.00-3

Page Number: 1 OF 1

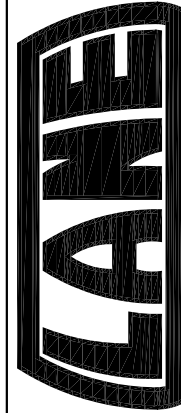
Date Drawn: 5/19/08

Drawn By: JCH



NOTES:

1. DIMENSIONS ARE SHOWN TO THE INSIDE OF THE CORRUGATION CRESTS.
2. DIMENSIONS ARE SUBJECT TO MANUFACTURING TOLERANCES.
3. PLATE LAYOUT WILL BE DETERMINED BY MANUFACTURER.
4. ALL REINFORCING PER MANUFACTURERS REQUIREMENTS.



LANE ENTERPRISES, INC.

STEEL STRUCTURAL PLATE

ARCH CULVERT DETAIL

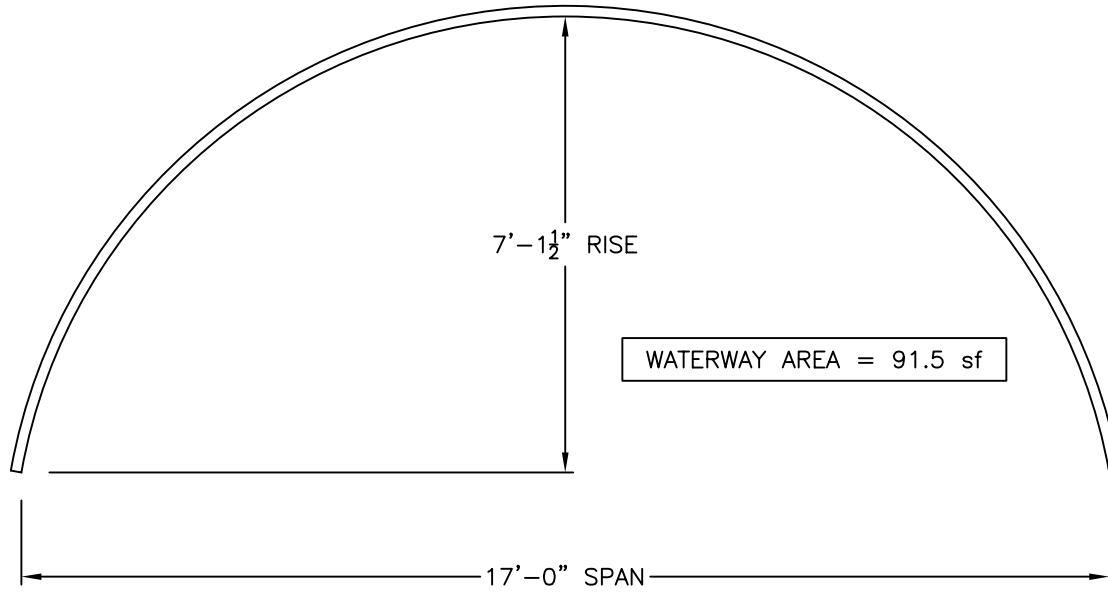
17'-0" x 7'-7"

Drawing Number: AC-S-17.00-4

Page Number: 1 OF 1

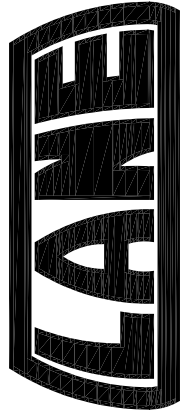
Date Drawn: 5/19/08

Drawn By: JCH



NOTES:

1. DIMENSIONS ARE SHOWN TO THE INSIDE OF THE CORRUGATION CRESTS.
2. DIMENSIONS ARE SUBJECT TO MANUFACTURING TOLERANCES.
3. PLATE LAYOUT WILL BE DETERMINED BY MANUFACTURER.
4. ALL REINFORCING PER MANUFACTURERS REQUIREMENTS.



LANE ENTERPRISES, INC.

STEEL STRUCTURAL PLATE

ARCH CULVERT DETAIL

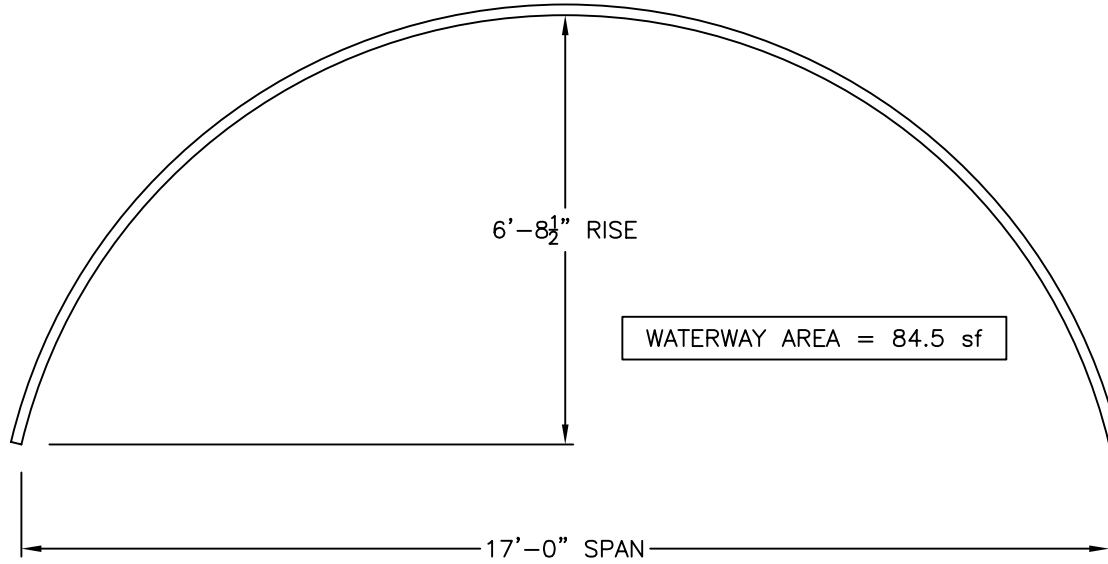
17'-0" x 7'-1 1/2"

Drawing Number: AC-S-17.00-5

Page Number: 1 OF 1

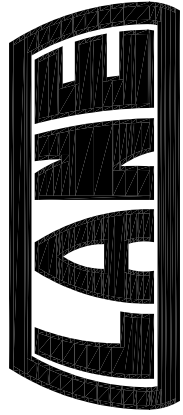
Date Drawn: 5/19/08

Drawn By: JCH



NOTES:

1. DIMENSIONS ARE SHOWN TO THE INSIDE OF THE CORRUGATION CRESTS.
2. DIMENSIONS ARE SUBJECT TO MANUFACTURING TOLERANCES.
3. PLATE LAYOUT WILL BE DETERMINED BY MANUFACTURER.
4. ALL REINFORCING PER MANUFACTURERS REQUIREMENTS.



LANE ENTERPRISES, INC.

STEEL STRUCTURAL PLATE

ARCH CULVERT DETAIL

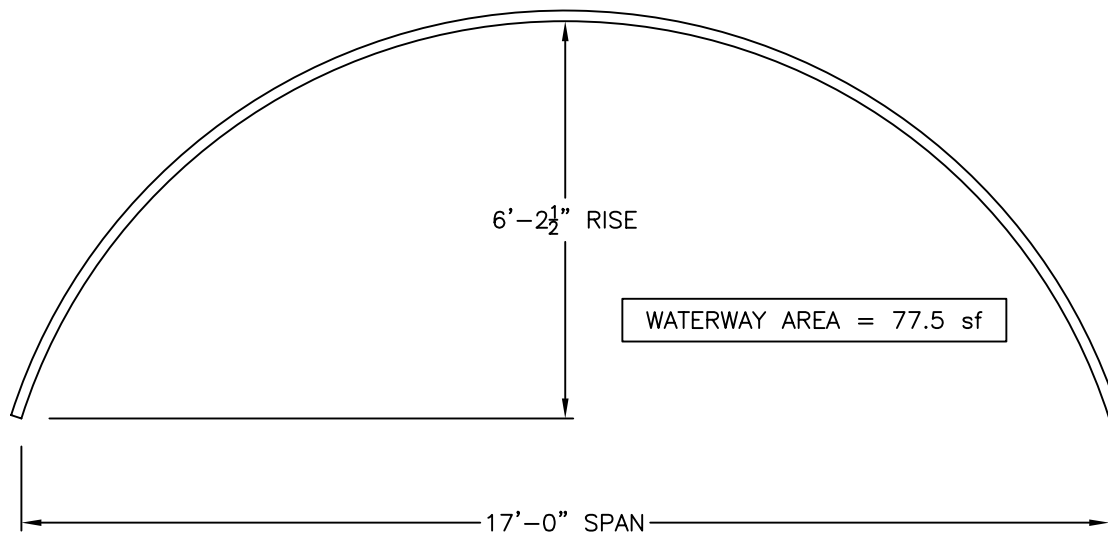
17'-0" x 6'-8 1/2"

Drawing Number: AC-S-17.00-6

Page Number: 1 OF 1

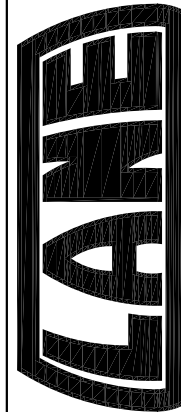
Date Drawn: 5/19/08

Drawn By: JCH



NOTES:

1. DIMENSIONS ARE SHOWN TO THE INSIDE OF THE CORRUGATION CRESTS.
2. DIMENSIONS ARE SUBJECT TO MANUFACTURING TOLERANCES.
3. PLATE LAYOUT WILL BE DETERMINED BY MANUFACTURER.
4. ALL REINFORCING PER MANUFACTURERS REQUIREMENTS.



LANE ENTERPRISES, INC.

STEEL STRUCTURAL PLATE

ARCH CULVERT DETAIL

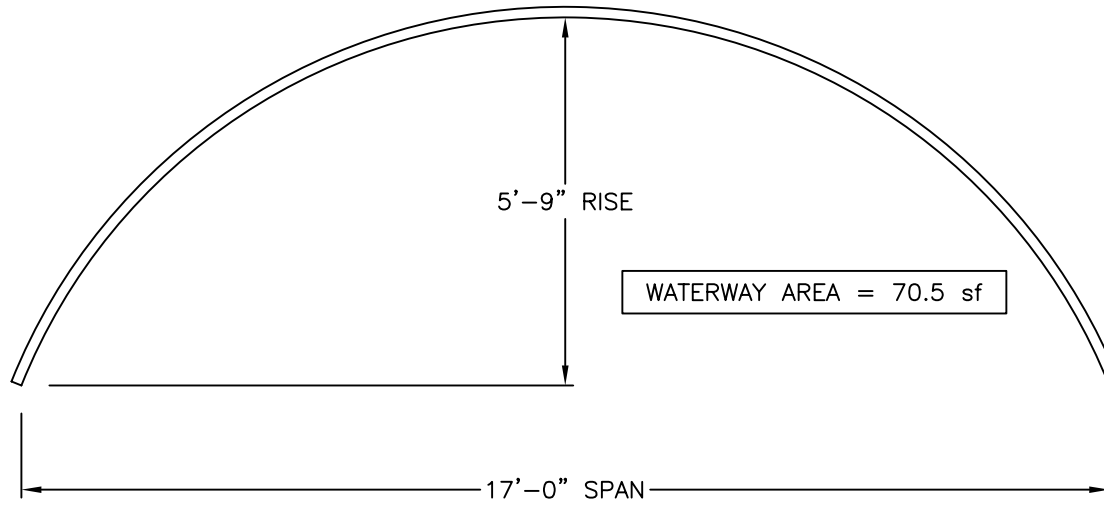
17'-0" x 6'-2 1/2"

Drawing Number: AC-S-17.00-7

Page Number: 1 OF 1

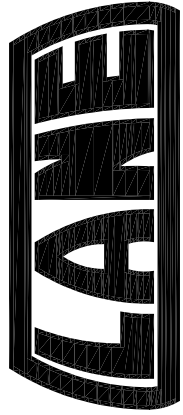
Date Drawn: 5/19/08

Drawn By: JCH



NOTES:

1. DIMENSIONS ARE SHOWN TO THE INSIDE OF THE CORRUGATION CRESTS.
2. DIMENSIONS ARE SUBJECT TO MANUFACTURING TOLERANCES.
3. PLATE LAYOUT WILL BE DETERMINED BY MANUFACTURER.
4. ALL REINFORCING PER MANUFACTURERS REQUIREMENTS.



LANE ENTERPRISES, INC.

STEEL STRUCTURAL PLATE

ARCH CULVERT DETAIL

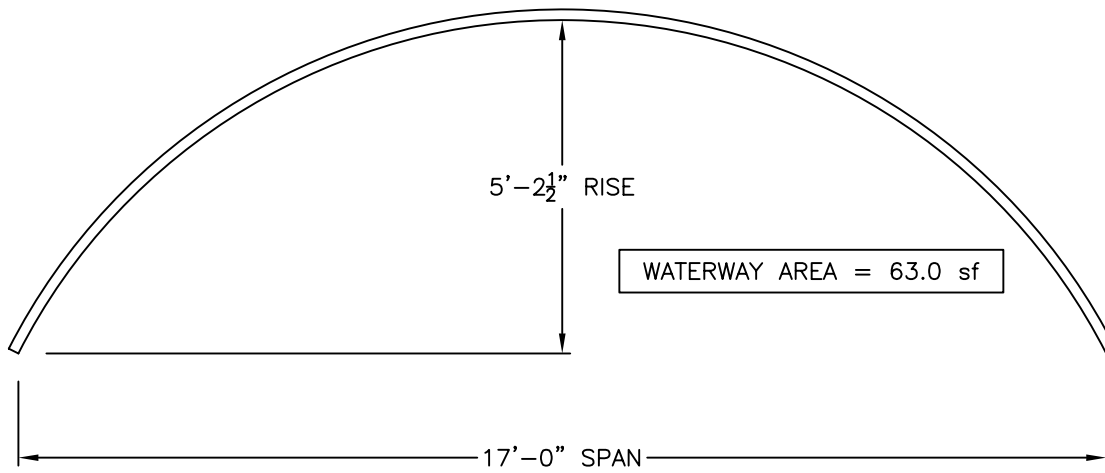
17'-0" x 5'-9"

Drawing Number: AC-S-17.00-8

Page Number: 1 OF 1

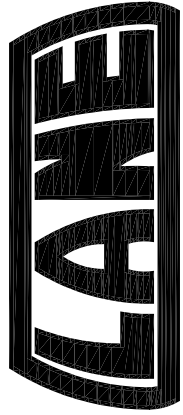
Date Drawn: 5/19/08

Drawn By: JCH



NOTES:

1. DIMENSIONS ARE SHOWN TO THE INSIDE OF THE CORRUGATION CRESTS.
2. DIMENSIONS ARE SUBJECT TO MANUFACTURING TOLERANCES.
3. PLATE LAYOUT WILL BE DETERMINED BY MANUFACTURER.
4. ALL REINFORCING PER MANUFACTURERS REQUIREMENTS.



LANE ENTERPRISES, INC.

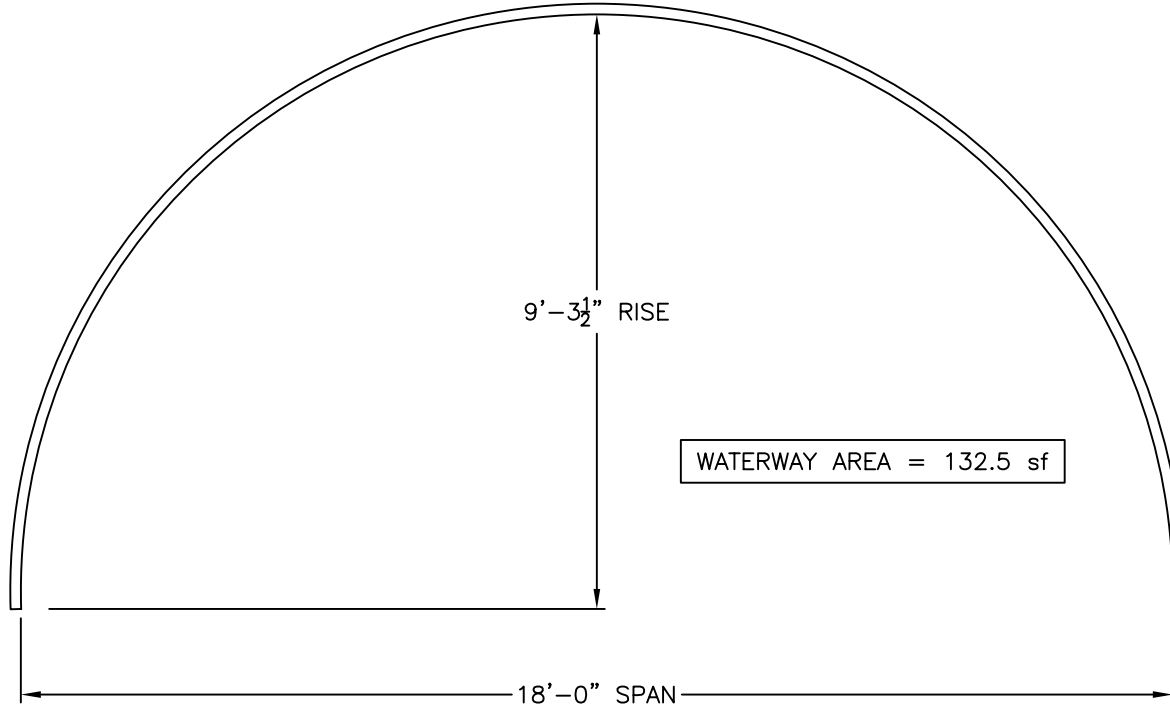
STEEL STRUCTURAL PLATE
 ARCH CULVERT DETAIL
 17'-0" x 5'-2 1/2"

Drawing Number: AC-S-17.00-9

Page Number: 1 OF 1

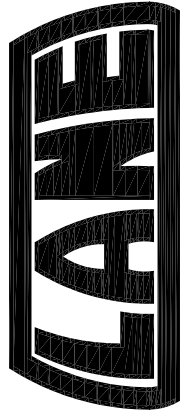
Date Drawn: 5/19/08

Drawn By: JCH



NOTES:

1. DIMENSIONS ARE SHOWN TO THE INSIDE OF THE CORRUGATION CRESTS.
2. DIMENSIONS ARE SUBJECT TO MANUFACTURING TOLERANCES.
3. PLATE LAYOUT WILL BE DETERMINED BY MANUFACTURER.
4. ALL REINFORCING PER MANUFACTURERS REQUIREMENTS.



LANE ENTERPRISES, INC.

STEEL STRUCTURAL PLATE

ARCH CULVERT DETAIL

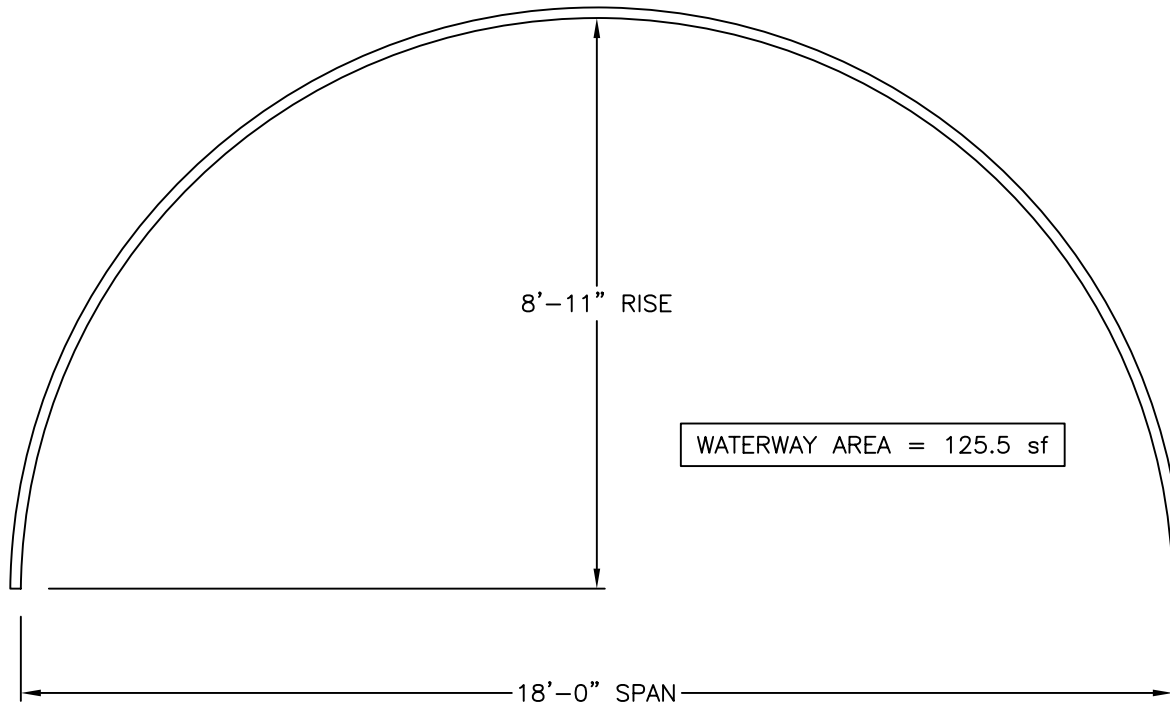
18'-0" x 9'-3 1/2"

Drawing Number: AC-S-18.00-1

Page Number: 1 OF 1

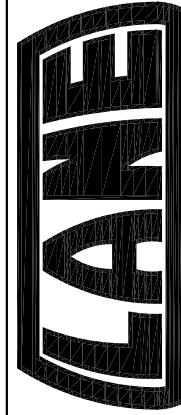
Date Drawn: 5/19/08

Drawn By: JCH



NOTES:

1. DIMENSIONS ARE SHOWN TO THE INSIDE OF THE CORRUGATION CRESTS.
2. DIMENSIONS ARE SUBJECT TO MANUFACTURING TOLERANCES.
3. PLATE LAYOUT WILL BE DETERMINED BY MANUFACTURER.
4. ALL REINFORCING PER MANUFACTURERS REQUIREMENTS.



LANE ENTERPRISES, INC.

STEEL STRUCTURAL PLATE

ARCH CULVERT DETAIL

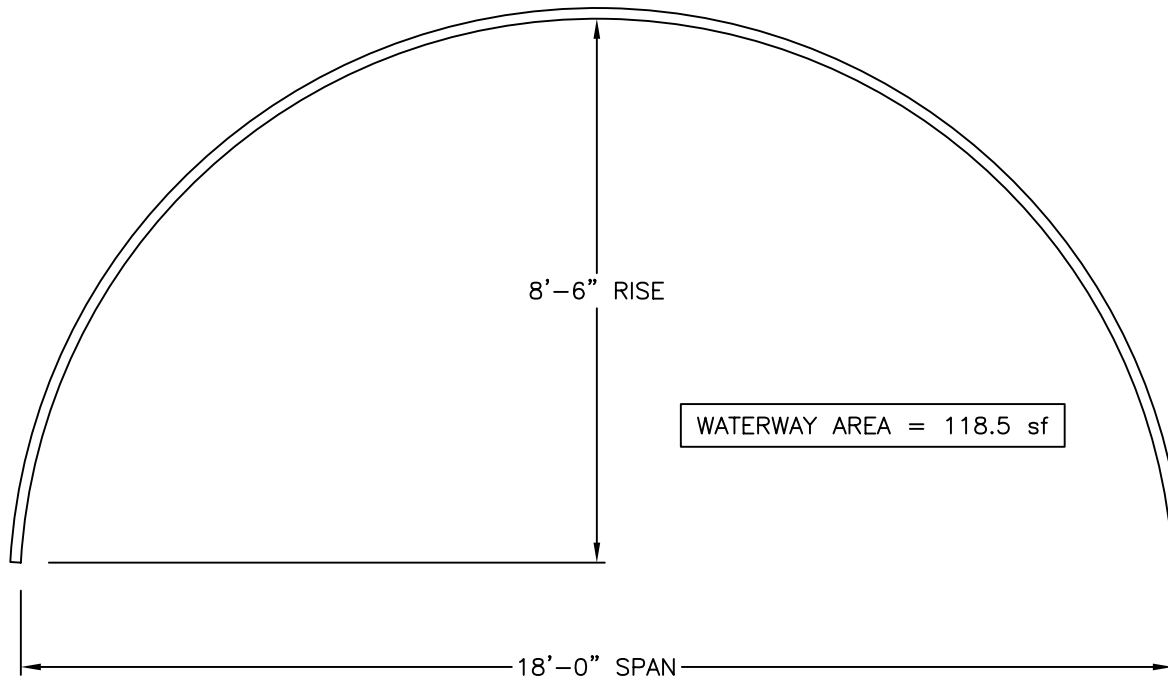
18'-0" x 8'-11"

Drawing Number: AC-S-18.00-2

Page Number: 1 OF 1

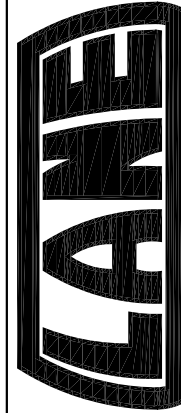
Date Drawn: 5/19/08

Drawn By: JCH



NOTES:

1. DIMENSIONS ARE SHOWN TO THE INSIDE OF THE CORRUGATION CRESTS.
2. DIMENSIONS ARE SUBJECT TO MANUFACTURING TOLERANCES.
3. PLATE LAYOUT WILL BE DETERMINED BY MANUFACTURER.
4. ALL REINFORCING PER MANUFACTURERS REQUIREMENTS.



LANE ENTERPRISES, INC.

STEEL STRUCTURAL PLATE

ARCH CULVERT DETAIL

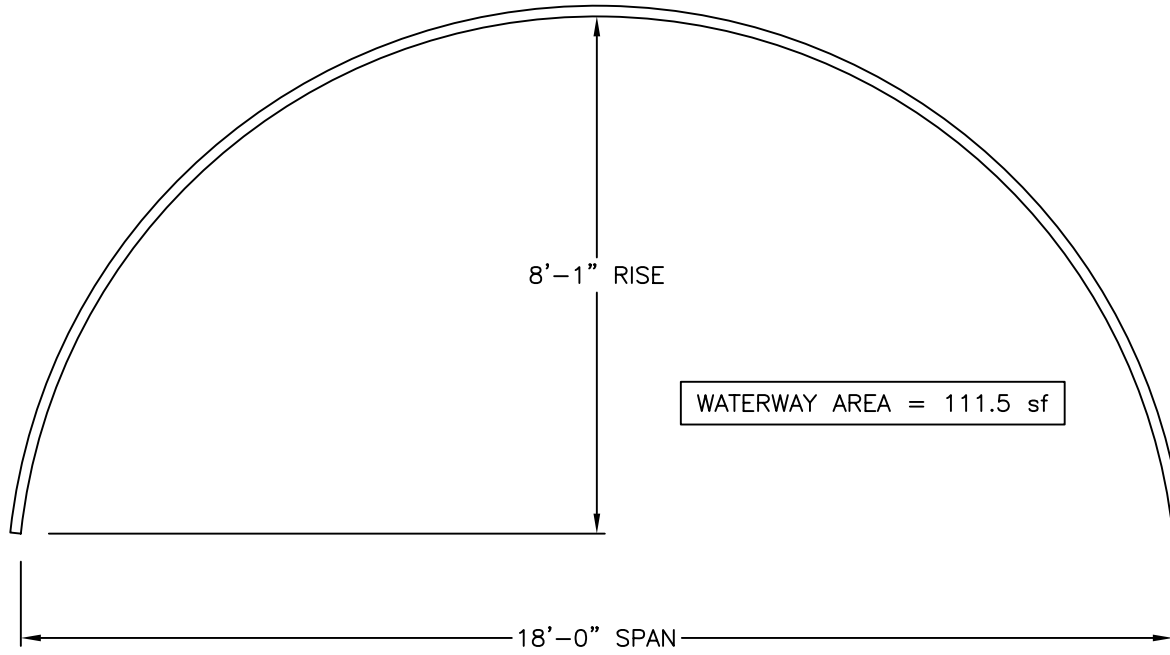
18'-0" x 8'-6"

Drawing Number: AC-S-18.00-3

Page Number: 1 OF 1

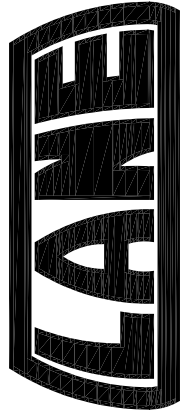
Date Drawn: 5/19/08

Drawn By: JCH



NOTES:

1. DIMENSIONS ARE SHOWN TO THE INSIDE OF THE CORRUGATION CRESTS.
2. DIMENSIONS ARE SUBJECT TO MANUFACTURING TOLERANCES.
3. PLATE LAYOUT WILL BE DETERMINED BY MANUFACTURER.
4. ALL REINFORCING PER MANUFACTURERS REQUIREMENTS.



LANE ENTERPRISES, INC.

STEEL STRUCTURAL PLATE

ARCH CULVERT DETAIL

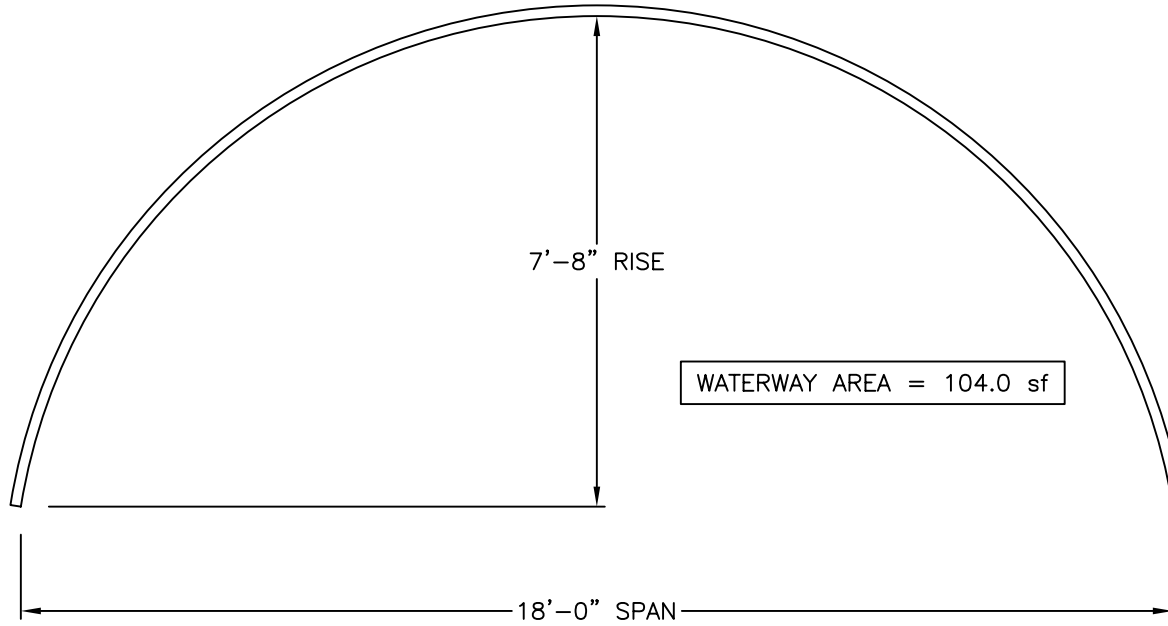
18'-0" x 8'-1"

Drawing Number: AC-S-18.00-4

Page Number: 1 OF 1

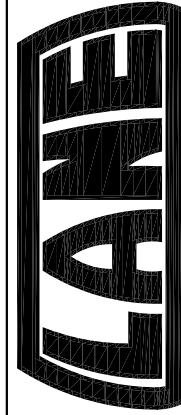
Date Drawn: 5/19/08

Drawn By: JCH



NOTES:

1. DIMENSIONS ARE SHOWN TO THE INSIDE OF THE CORRUGATION CRESTS.
2. DIMENSIONS ARE SUBJECT TO MANUFACTURING TOLERANCES.
3. PLATE LAYOUT WILL BE DETERMINED BY MANUFACTURER.
4. ALL REINFORCING PER MANUFACTURERS REQUIREMENTS.



LANE ENTERPRISES, INC.

STEEL STRUCTURAL PLATE

ARCH CULVERT DETAIL

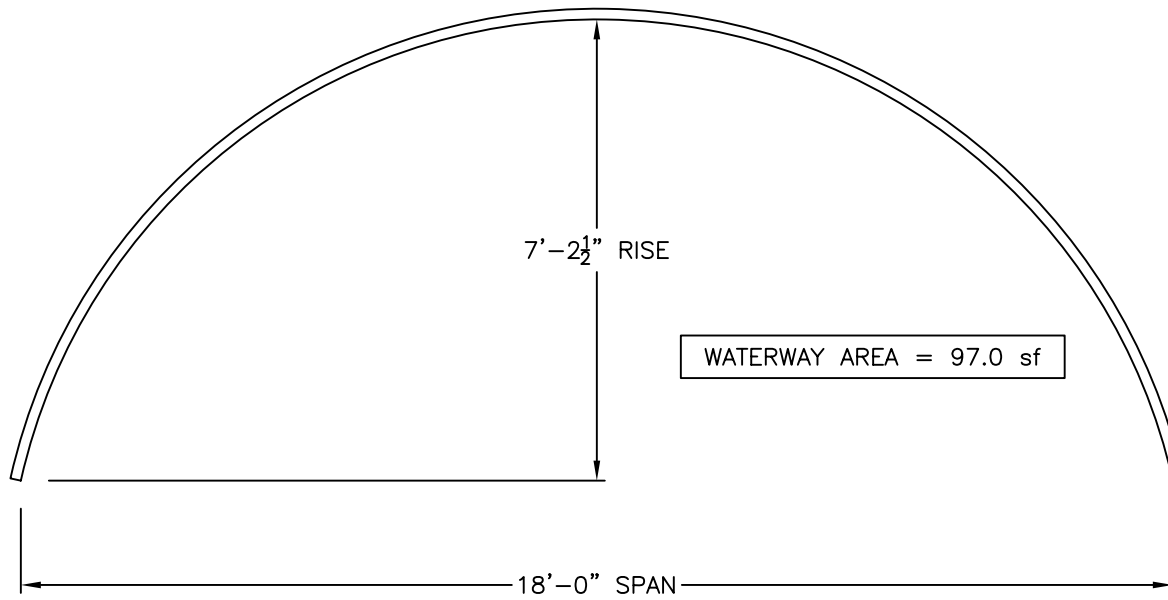
18'-0" x 7'-8"

Drawing Number: AC-S-18.00-5

Page Number: 1 OF 1

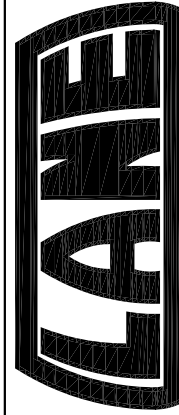
Date Drawn: 5/19/08

Drawn By: JCH



NOTES:

1. DIMENSIONS ARE SHOWN TO THE INSIDE OF THE CORRUGATION CRESTS.
2. DIMENSIONS ARE SUBJECT TO MANUFACTURING TOLERANCES.
3. PLATE LAYOUT WILL BE DETERMINED BY MANUFACTURER.
4. ALL REINFORCING PER MANUFACTURERS REQUIREMENTS.



LANE ENTERPRISES, INC.

STEEL STRUCTURAL PLATE

ARCH CULVERT DETAIL

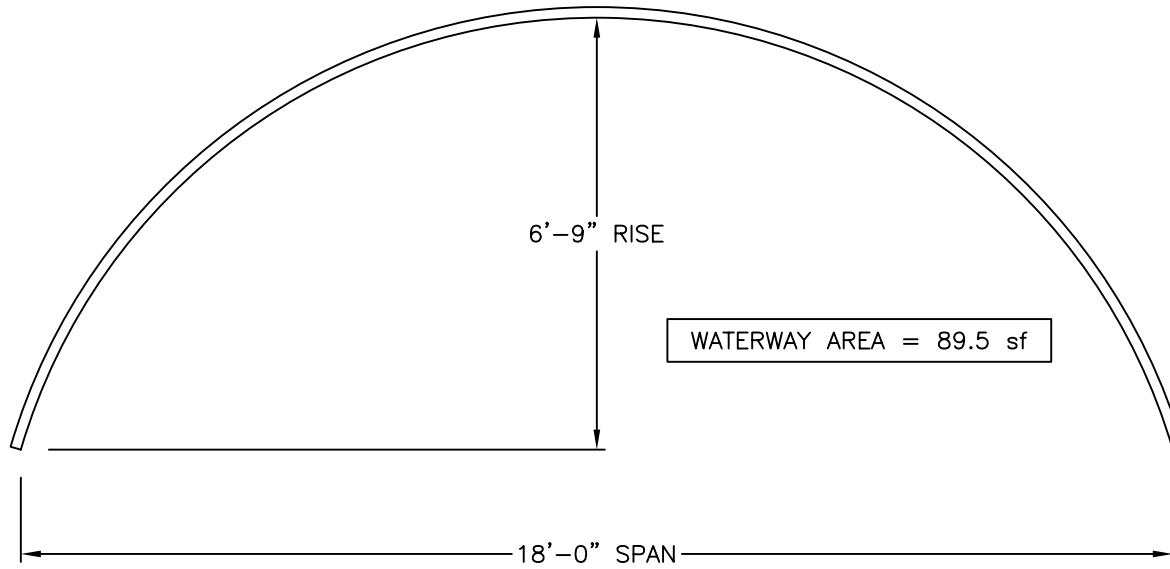
18'-0" x 7'-2 1/2"

Drawing Number: AC-S-18.00-6

Page Number: 1 OF 1

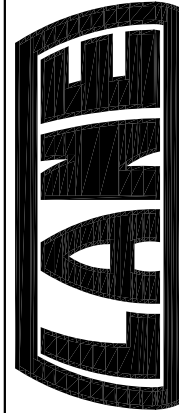
Date Drawn: 5/19/08

Drawn By: JCH



NOTES:

1. DIMENSIONS ARE SHOWN TO THE INSIDE OF THE CORRUGATION CRESTS.
2. DIMENSIONS ARE SUBJECT TO MANUFACTURING TOLERANCES.
3. PLATE LAYOUT WILL BE DETERMINED BY MANUFACTURER.
4. ALL REINFORCING PER MANUFACTURERS REQUIREMENTS.



LANE ENTERPRISES, INC.

STEEL STRUCTURAL PLATE

ARCH CULVERT DETAIL

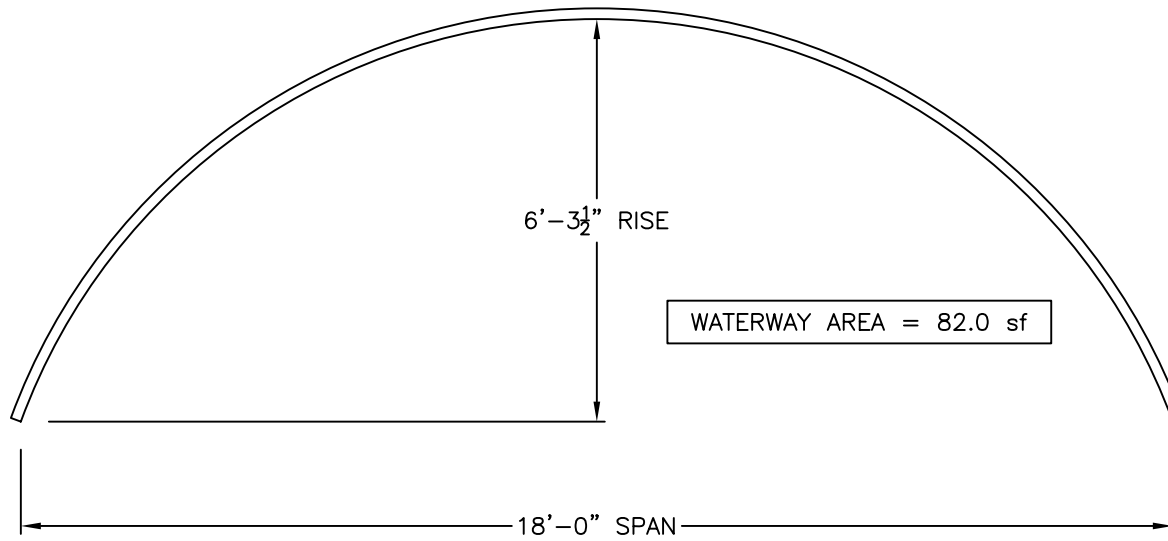
18'-0" x 6'-9"

Drawing Number: AC-S-18.00-7

Page Number: 1 OF 1

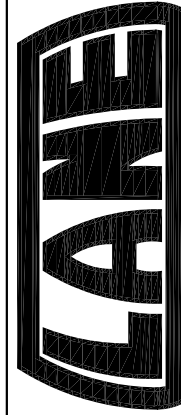
Date Drawn: 5/19/08

Drawn By: JCH



NOTES:

1. DIMENSIONS ARE SHOWN TO THE INSIDE OF THE CORRUGATION CRESTS.
2. DIMENSIONS ARE SUBJECT TO MANUFACTURING TOLERANCES.
3. PLATE LAYOUT WILL BE DETERMINED BY MANUFACTURER.
4. ALL REINFORCING PER MANUFACTURERS REQUIREMENTS.



LANE ENTERPRISES, INC.

STEEL STRUCTURAL PLATE

ARCH CULVERT DETAIL

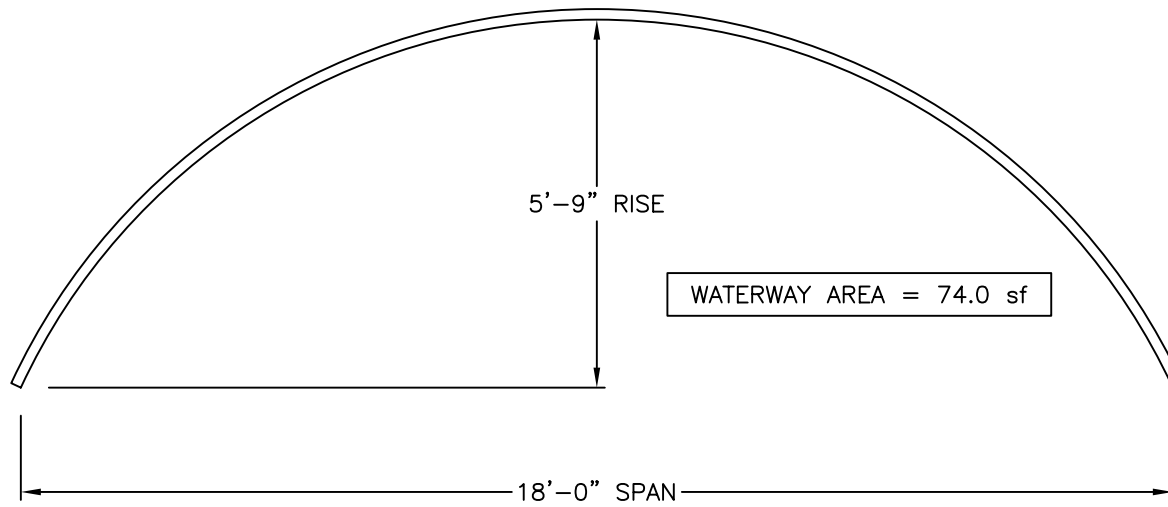
18'-0" x 6'-3 1/2"

Drawing Number: AC-S-18.00-8

Page Number: 1 OF 1

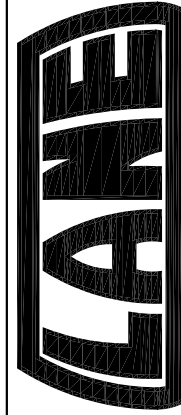
Date Drawn: 5/19/08

Drawn By: JCH



NOTES:

1. DIMENSIONS ARE SHOWN TO THE INSIDE OF THE CORRUGATION CRESTS.
2. DIMENSIONS ARE SUBJECT TO MANUFACTURING TOLERANCES.
3. PLATE LAYOUT WILL BE DETERMINED BY MANUFACTURER.
4. ALL REINFORCING PER MANUFACTURERS REQUIREMENTS.



LANE ENTERPRISES, INC.

STEEL STRUCTURAL PLATE

ARCH CULVERT DETAIL

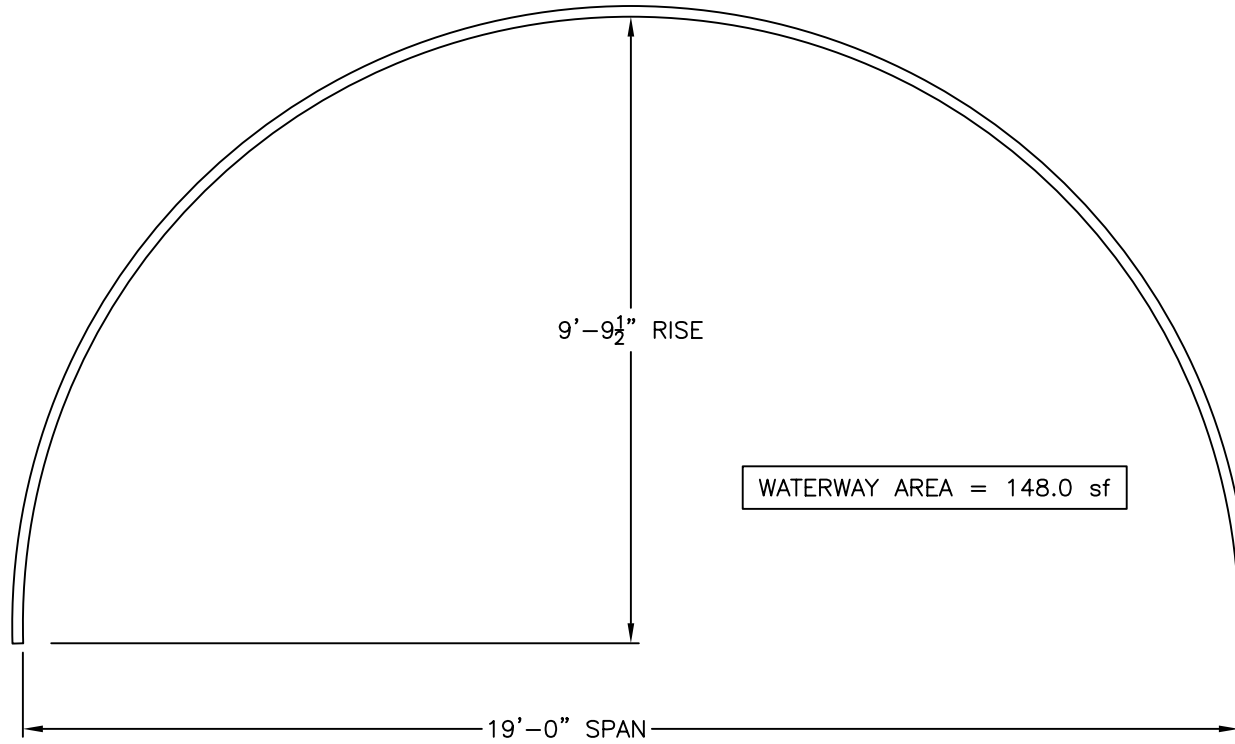
18'-0" x 5'-9"

Drawing Number: AC-S-18.00-9

Page Number: 1 OF 1

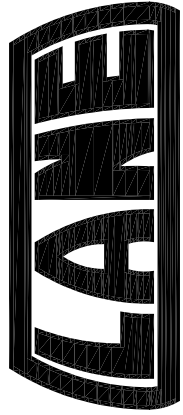
Date Drawn: 5/19/08

Drawn By: JCH



NOTES:

1. DIMENSIONS ARE SHOWN TO THE INSIDE OF THE CORRUGATION CRESTS.
2. DIMENSIONS ARE SUBJECT TO MANUFACTURING TOLERANCES.
3. PLATE LAYOUT WILL BE DETERMINED BY MANUFACTURER.
4. ALL REINFORCING PER MANUFACTURERS REQUIREMENTS.



LANE ENTERPRISES, INC.

STEEL STRUCTURAL PLATE

ARCH CULVERT DETAIL

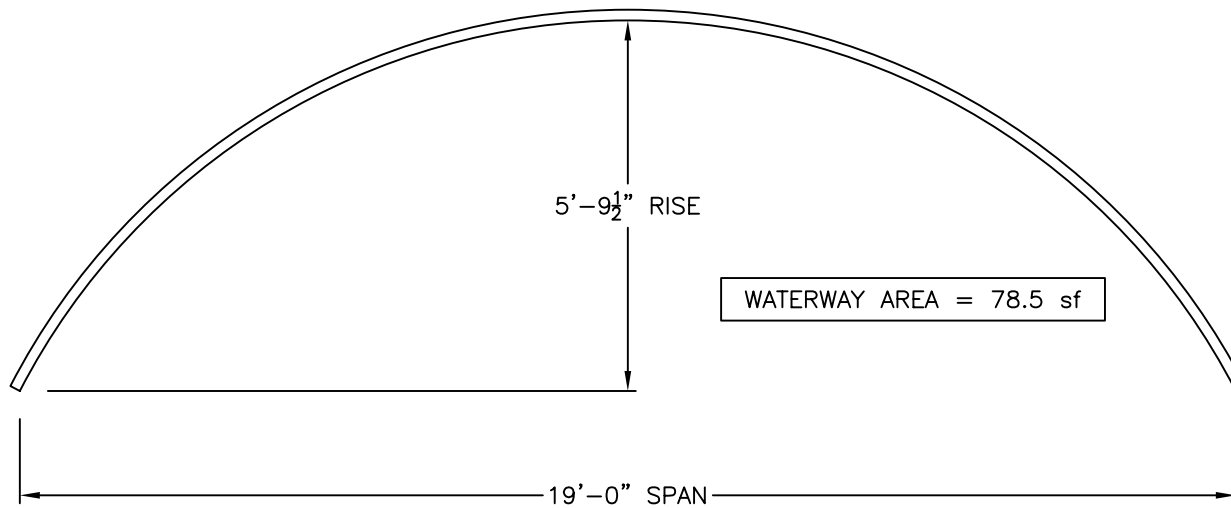
19'-0" x 9'-9 1/2"

Drawing Number: AC-S-19.00-1

Page Number: 1 OF 1

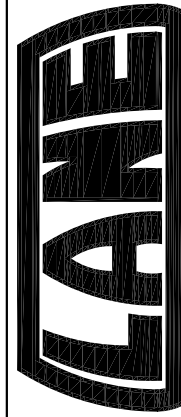
Date Drawn: 5/19/08

Drawn By: JCH

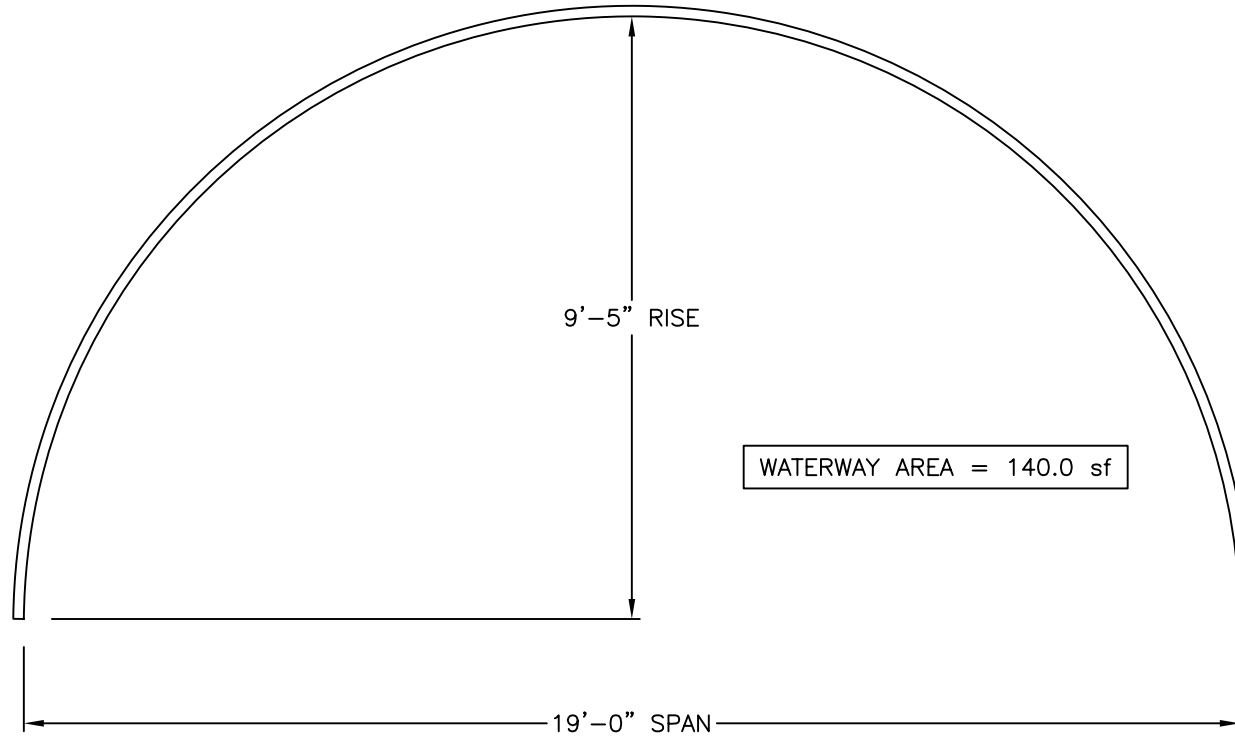


NOTES:

1. DIMENSIONS ARE SHOWN TO THE INSIDE OF THE CORRUGATION CRESTS.
2. DIMENSIONS ARE SUBJECT TO MANUFACTURING TOLERANCES.
3. PLATE LAYOUT WILL BE DETERMINED BY MANUFACTURER.
4. ALL REINFORCING PER MANUFACTURERS REQUIREMENTS.

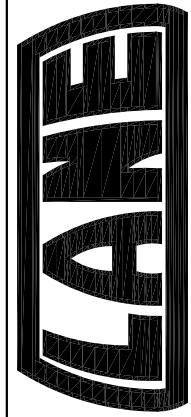


Drawing Number:	AC-S-19.00-10	LANE ENTERPRISES, INC.
Page Number:	1 OF 1	STEEL STRUCTURAL PLATE
Date Drawn:	5/19/08	ARCH CULVERT DETAIL
Drawn By:	JCH	19'-0" x 5'-9 1/2"



NOTES:

1. DIMENSIONS ARE SHOWN TO THE INSIDE OF THE CORRUGATION CRESTS.
2. DIMENSIONS ARE SUBJECT TO MANUFACTURING TOLERANCES.
3. PLATE LAYOUT WILL BE DETERMINED BY MANUFACTURER.
4. ALL REINFORCING PER MANUFACTURERS REQUIREMENTS.



LANE ENTERPRISES, INC.

STEEL STRUCTURAL PLATE

ARCH CULVERT DETAIL

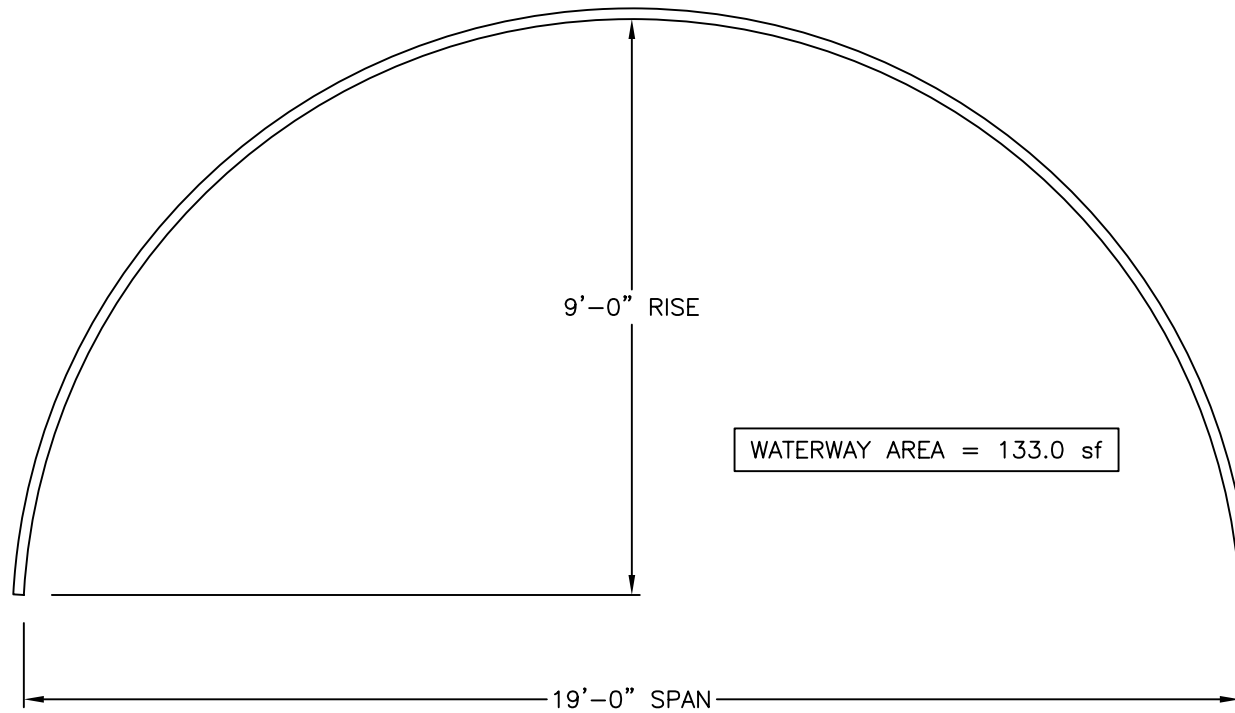
19'-0" x 9'-5"

Drawing Number: AC-S-19.00-2

Page Number: 1 OF 1

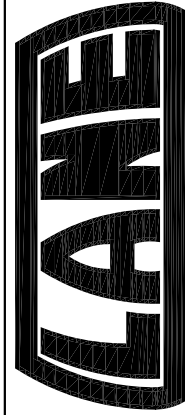
Date Drawn: 5/19/08

Drawn By: JCH



NOTES:

1. DIMENSIONS ARE SHOWN TO THE INSIDE OF THE CORRUGATION CRESTS.
2. DIMENSIONS ARE SUBJECT TO MANUFACTURING TOLERANCES.
3. PLATE LAYOUT WILL BE DETERMINED BY MANUFACTURER.
4. ALL REINFORCING PER MANUFACTURERS REQUIREMENTS.



LANE ENTERPRISES, INC.

STEEL STRUCTURAL PLATE

ARCH CULVERT DETAIL

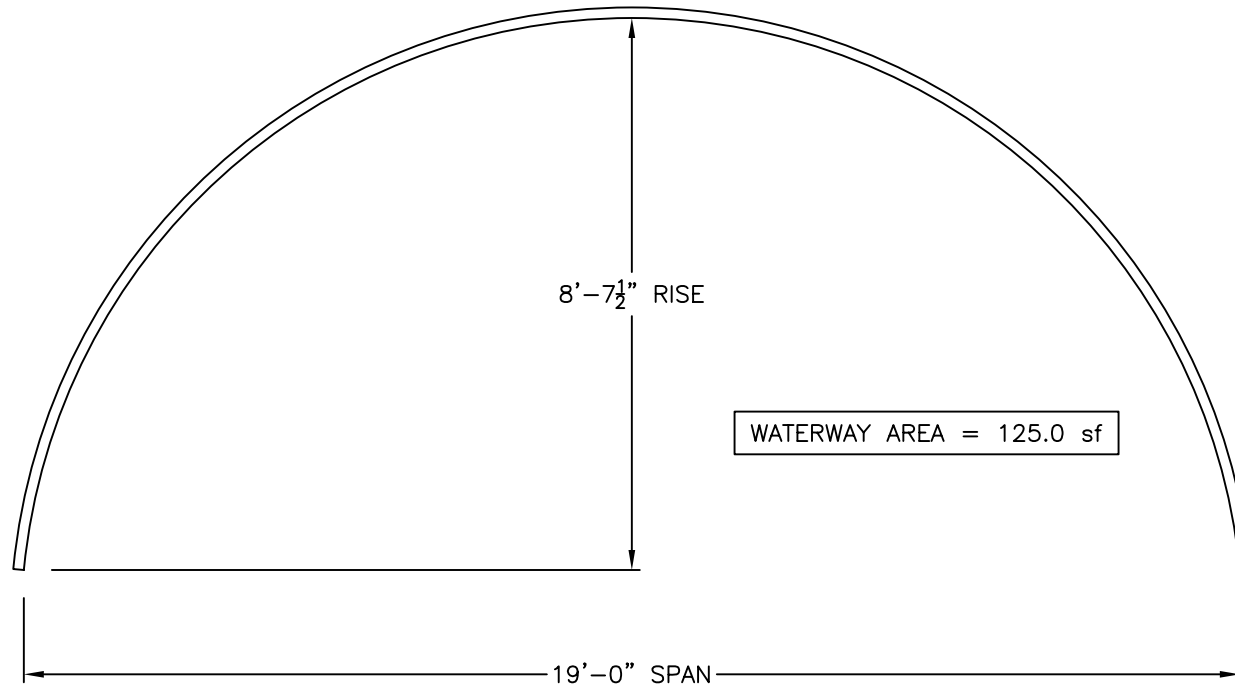
19'-0" x 9'-0"

Drawing Number: AC-S-19.00-3

Page Number: 1 OF 1

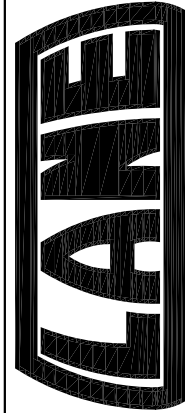
Date Drawn: 5/19/08

Drawn By: JCH



NOTES:

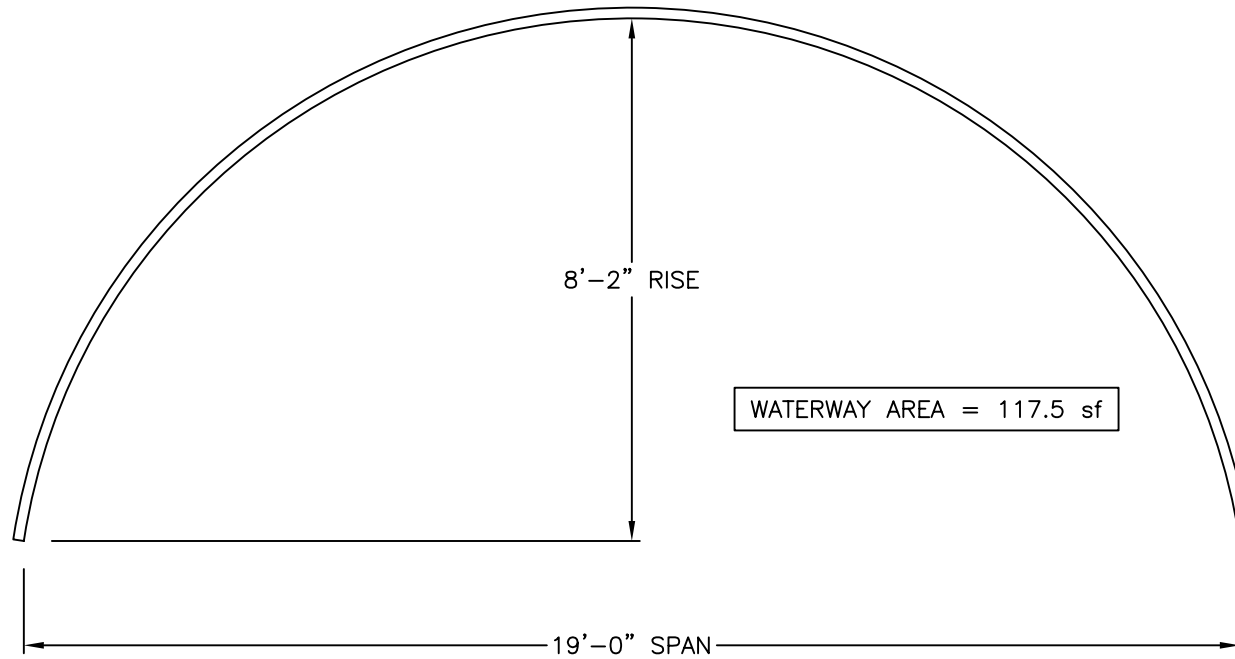
1. DIMENSIONS ARE SHOWN TO THE INSIDE OF THE CORRUGATION CRESTS.
2. DIMENSIONS ARE SUBJECT TO MANUFACTURING TOLERANCES.
3. PLATE LAYOUT WILL BE DETERMINED BY MANUFACTURER.
4. ALL REINFORCING PER MANUFACTURERS REQUIREMENTS.



LANE ENTERPRISES, INC.

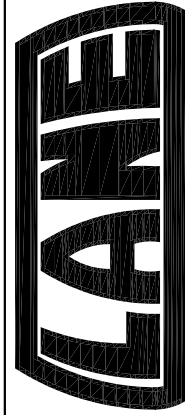
STEEL STRUCTURAL PLATE
 ARCH CULVERT DETAIL
 19'-0" x 8'-7 1/2"

Drawing Number:	AC-S-19.00-4
Page Number:	1 OF 1
Date Drawn:	5/19/08
Drawn By:	JCH



NOTES:

1. DIMENSIONS ARE SHOWN TO THE INSIDE OF THE CORRUGATION CRESTS.
2. DIMENSIONS ARE SUBJECT TO MANUFACTURING TOLERANCES.
3. PLATE LAYOUT WILL BE DETERMINED BY MANUFACTURER.
4. ALL REINFORCING PER MANUFACTURERS REQUIREMENTS.



LANE ENTERPRISES, INC.

STEEL STRUCTURAL PLATE

ARCH CULVERT DETAIL

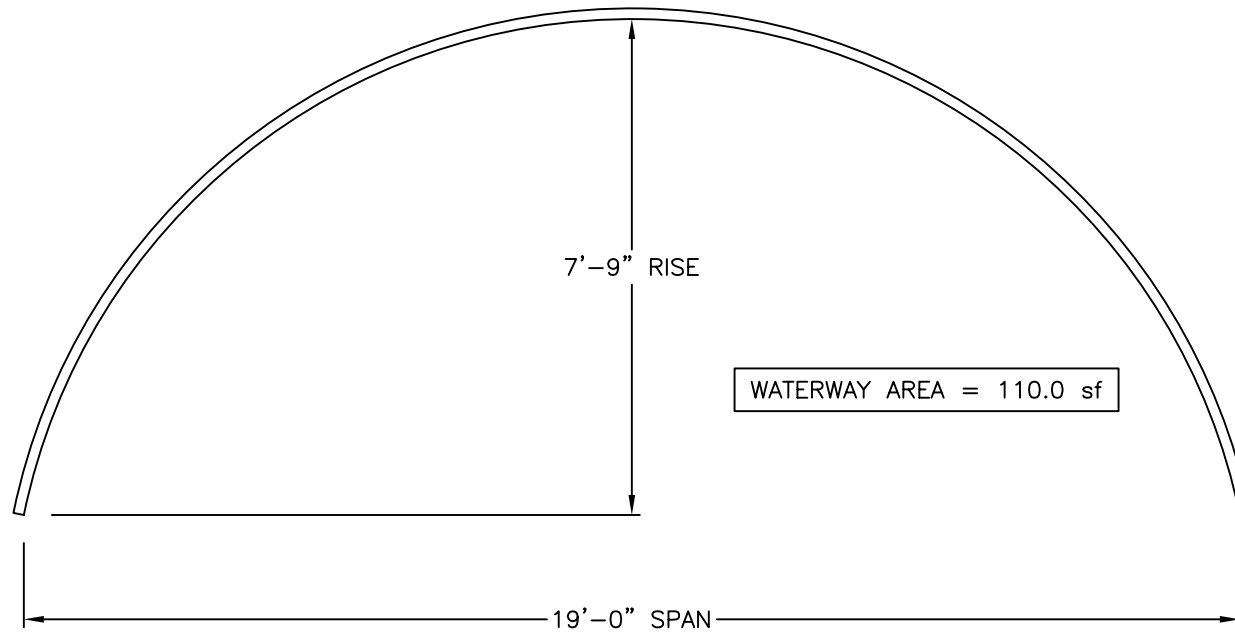
19'-0" x 8'-2"

Drawing Number: AC-S-19.00-5

Page Number: 1 OF 1

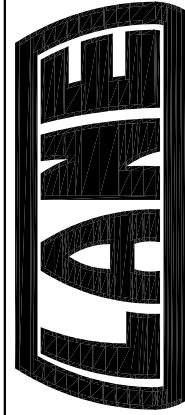
Date Drawn: 5/19/08

Drawn By: JCH



NOTES:

1. DIMENSIONS ARE SHOWN TO THE INSIDE OF THE CORRUGATION CRESTS.
2. DIMENSIONS ARE SUBJECT TO MANUFACTURING TOLERANCES.
3. PLATE LAYOUT WILL BE DETERMINED BY MANUFACTURER.
4. ALL REINFORCING PER MANUFACTURERS REQUIREMENTS.



LANE ENTERPRISES, INC.

STEEL STRUCTURAL PLATE

ARCH CULVERT DETAIL

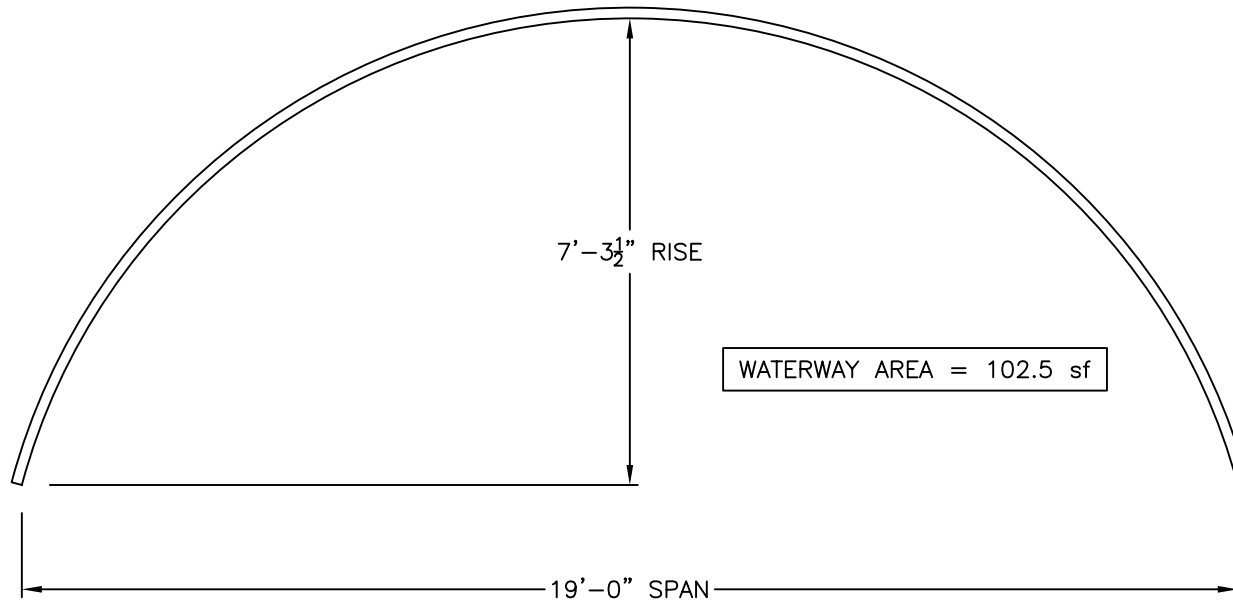
19'-0" x 7'-9"

Drawing Number: AC-S-19.00-6

Page Number: 1 OF 1

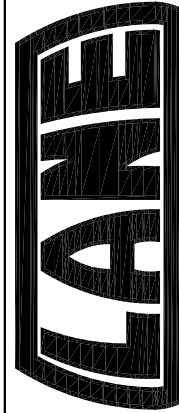
Date Drawn: 5/19/08

Drawn By: JCH



NOTES:

1. DIMENSIONS ARE SHOWN TO THE INSIDE OF THE CORRUGATION CRESTS.
2. DIMENSIONS ARE SUBJECT TO MANUFACTURING TOLERANCES.
3. PLATE LAYOUT WILL BE DETERMINED BY MANUFACTURER.
4. ALL REINFORCING PER MANUFACTURERS REQUIREMENTS.



LANE ENTERPRISES, INC.

STEEL STRUCTURAL PLATE

ARCH CULVERT DETAIL

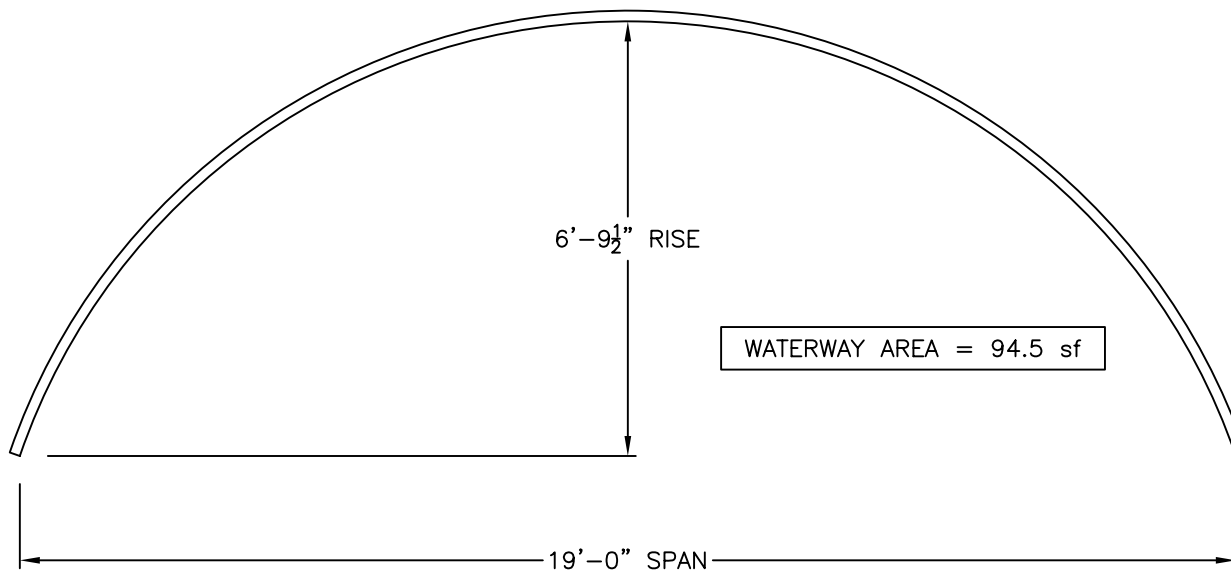
19'-0" x 7'-3 1/2"

Drawing Number: AC-S-19.00-7

Page Number: 1 OF 1

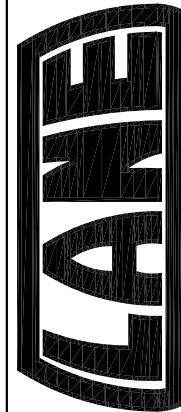
Date Drawn: 5/19/08

Drawn By: JCH



NOTES:

1. DIMENSIONS ARE SHOWN TO THE INSIDE OF THE CORRUGATION CRESTS.
2. DIMENSIONS ARE SUBJECT TO MANUFACTURING TOLERANCES.
3. PLATE LAYOUT WILL BE DETERMINED BY MANUFACTURER.
4. ALL REINFORCING PER MANUFACTURERS REQUIREMENTS.



LANE ENTERPRISES, INC.

STEEL STRUCTURAL PLATE

ARCH CULVERT DETAIL

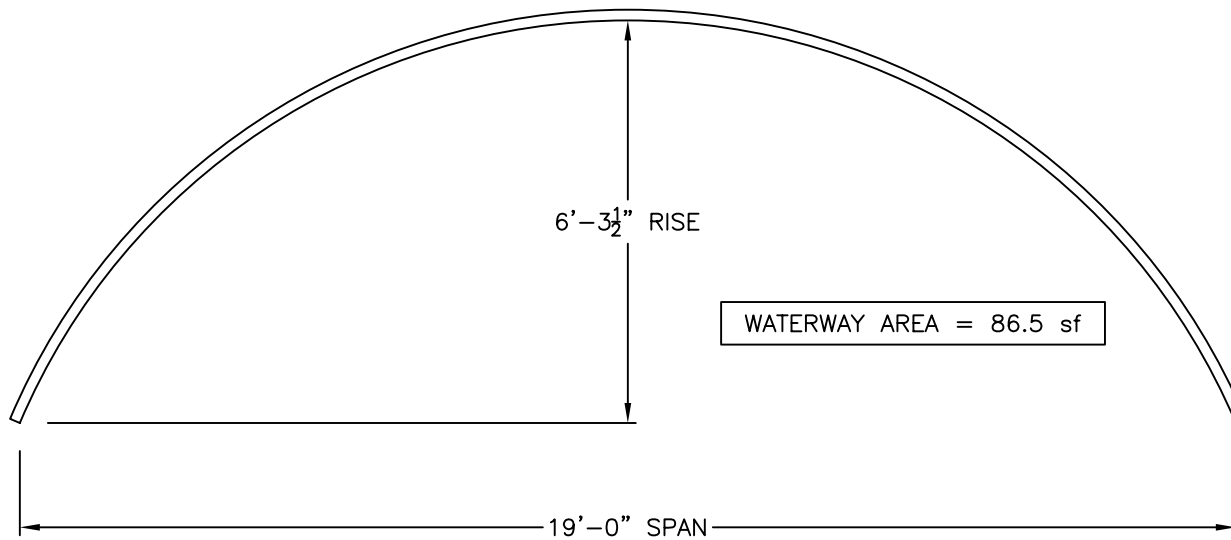
19'-0" x 6'-9 1/2"

Drawing Number: AC-S-19.00-8

Page Number: 1 OF 1

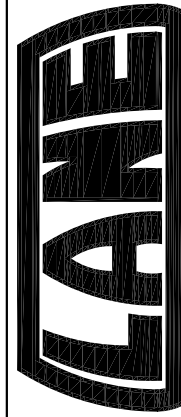
Date Drawn: 5/19/08

Drawn By: JCH



NOTES:

1. DIMENSIONS ARE SHOWN TO THE INSIDE OF THE CORRUGATION CRESTS.
2. DIMENSIONS ARE SUBJECT TO MANUFACTURING TOLERANCES.
3. PLATE LAYOUT WILL BE DETERMINED BY MANUFACTURER.
4. ALL REINFORCING PER MANUFACTURERS REQUIREMENTS.



LANE ENTERPRISES, INC.

STEEL STRUCTURAL PLATE

ARCH CULVERT DETAIL

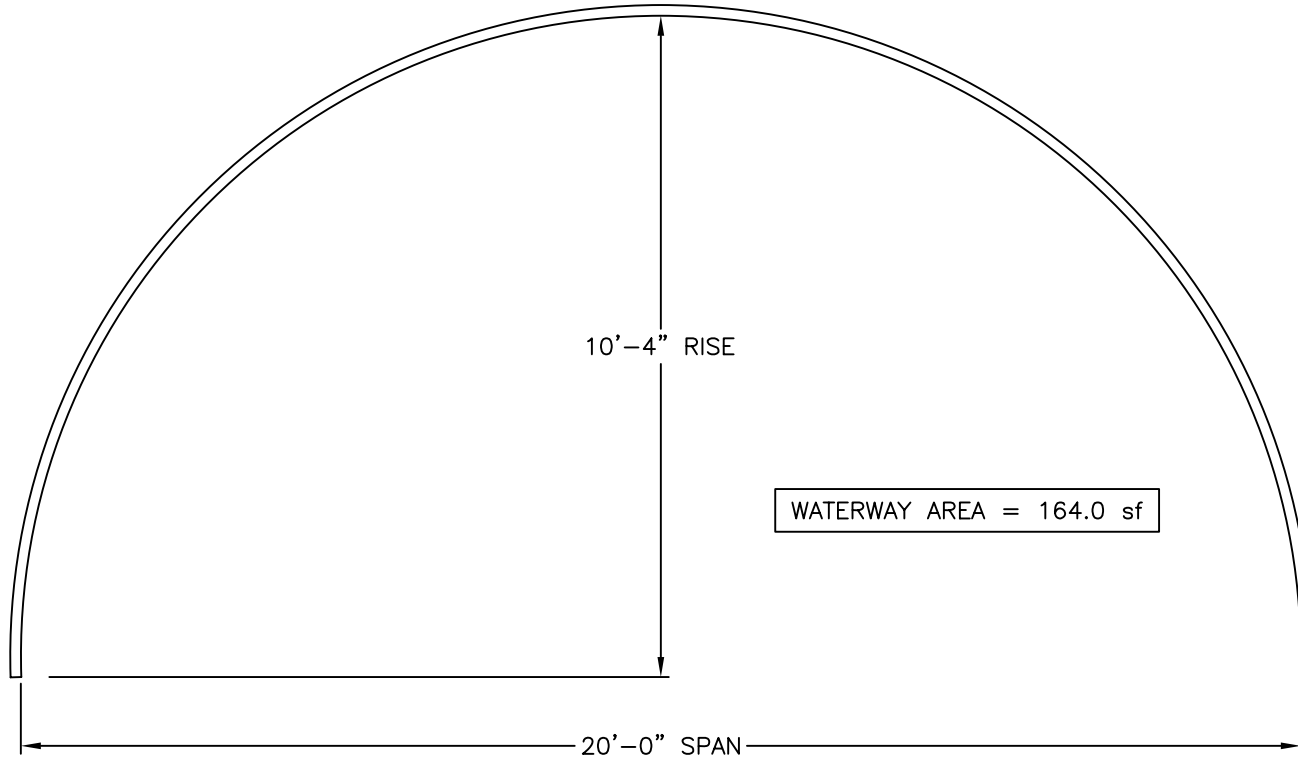
19'-0" x 6'-3 1/2"

Drawing Number: AC-S-19.00-9

Page Number: 1 OF 1

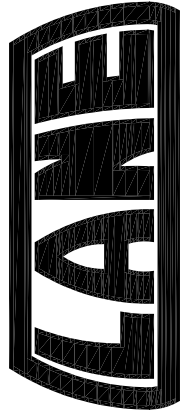
Date Drawn: 5/19/08

Drawn By: JCH



NOTES:

1. DIMENSIONS ARE SHOWN TO THE INSIDE OF THE CORRUGATION CRESTS.
2. DIMENSIONS ARE SUBJECT TO MANUFACTURING TOLERANCES.
3. PLATE LAYOUT WILL BE DETERMINED BY MANUFACTURER.
4. ALL REINFORCING PER MANUFACTURERS REQUIREMENTS.



LANE ENTERPRISES, INC.

STEEL STRUCTURAL PLATE

ARCH CULVERT DETAIL

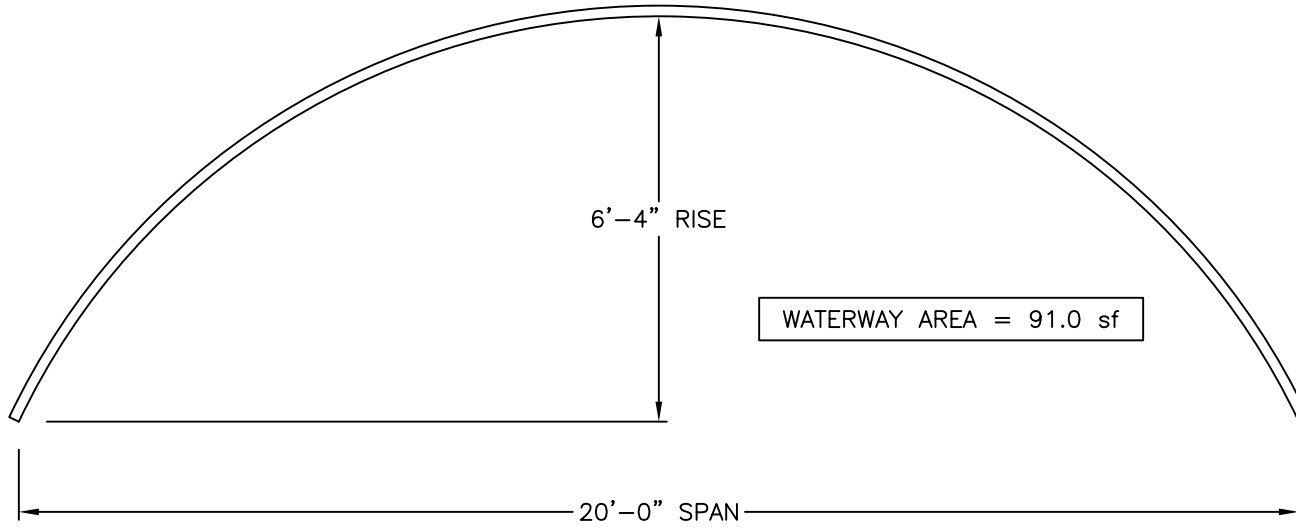
20'-0" x 10'-4"

Drawing Number: AC-S-20.00-1

Page Number: 1 OF 1

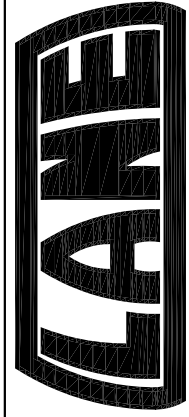
Date Drawn: 6/4/08

Drawn By: JCH



NOTES:

1. DIMENSIONS ARE SHOWN TO THE INSIDE OF THE CORRUGATION CRESTS.
2. DIMENSIONS ARE SUBJECT TO MANUFACTURING TOLERANCES.
3. PLATE LAYOUT WILL BE DETERMINED BY MANUFACTURER.
4. ALL REINFORCING PER MANUFACTURERS REQUIREMENTS.



LANE ENTERPRISES, INC.

STEEL STRUCTURAL PLATE

ARCH CULVERT DETAIL

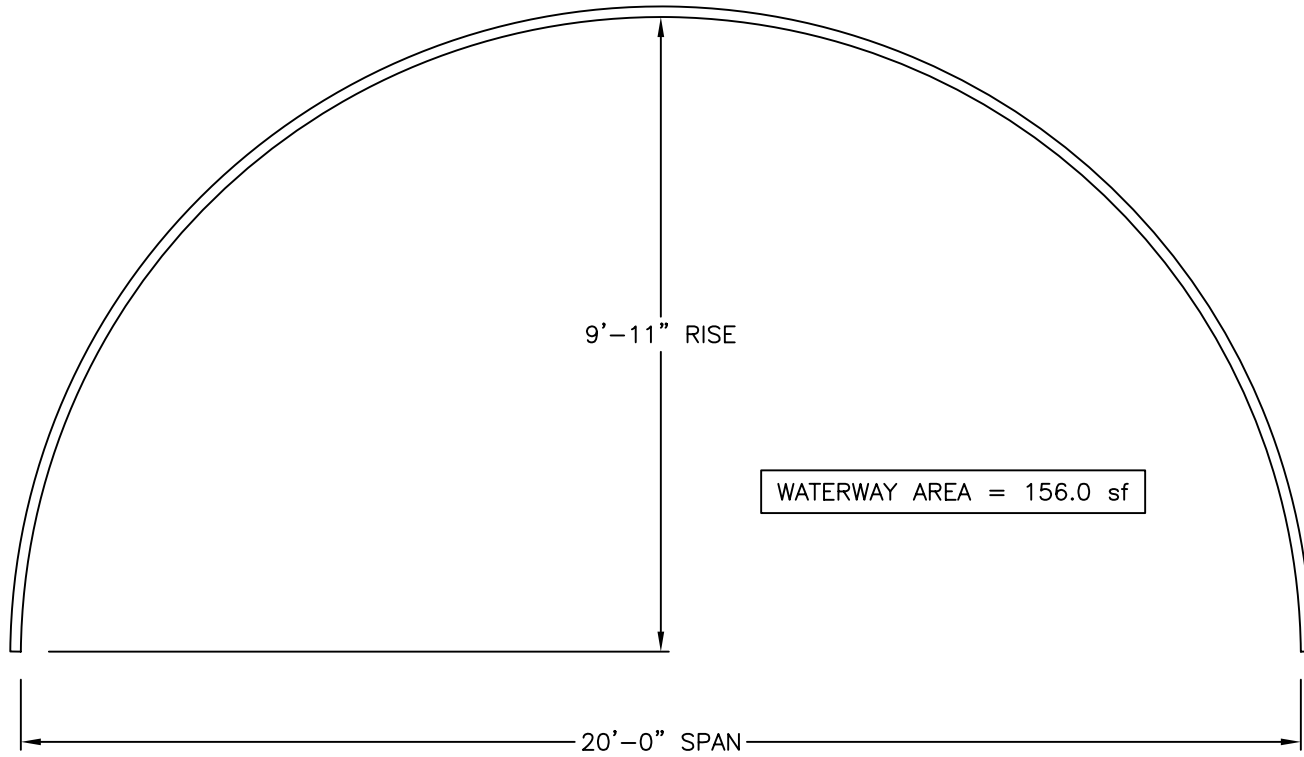
20'-0" x 6'-4"

Drawing Number: AC-S-20.00-10

Page Number: 1 OF 1

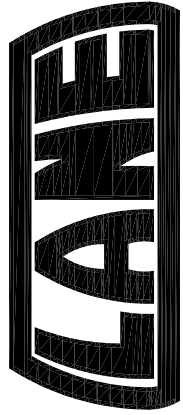
Date Drawn: 6/4/08

Drawn By: JCH



NOTES:

1. DIMENSIONS ARE SHOWN TO THE INSIDE OF THE CORRUGATION CRESTS.
2. DIMENSIONS ARE SUBJECT TO MANUFACTURING TOLERANCES.
3. PLATE LAYOUT WILL BE DETERMINED BY MANUFACTURER.
4. ALL REINFORCING PER MANUFACTURERS REQUIREMENTS.



LANE ENTERPRISES, INC.

STEEL STRUCTURAL PLATE

ARCH CULVERT DETAIL

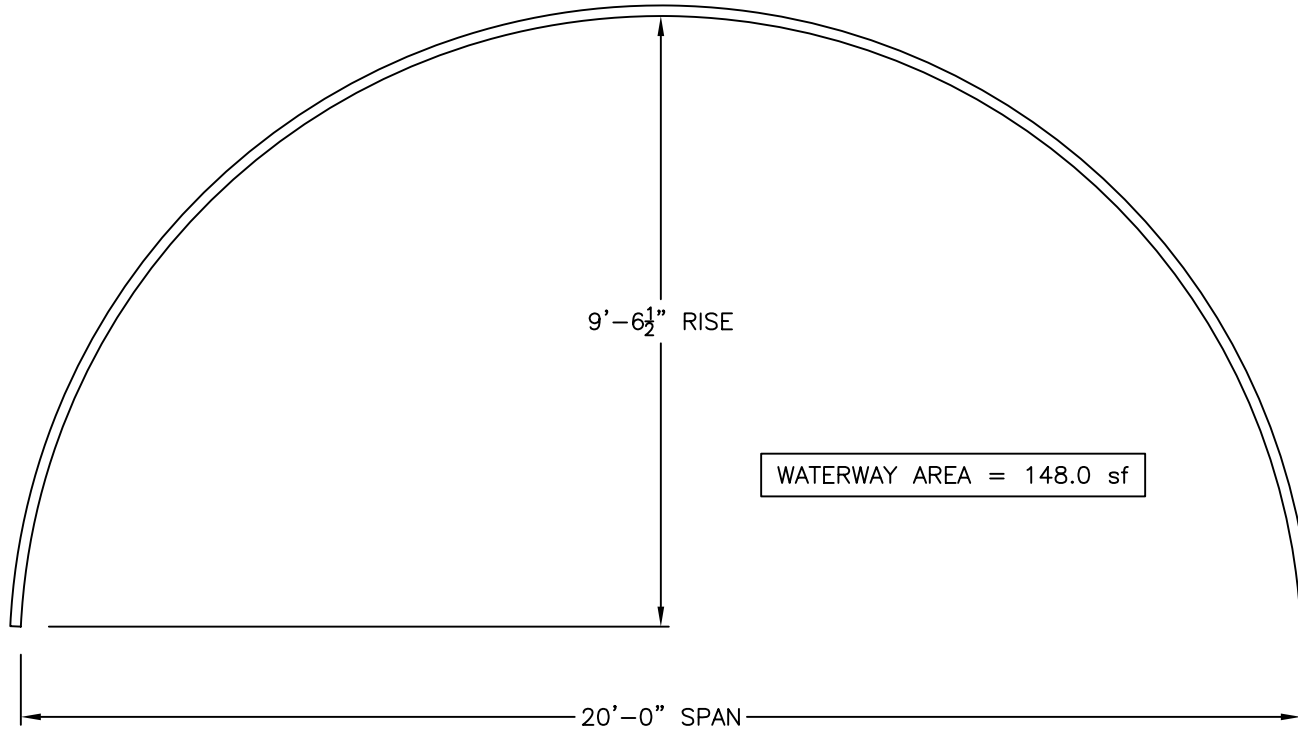
20'-0" x 9'-11"

Drawing Number: AC-S-20.00-2

Page Number: 1 OF 1

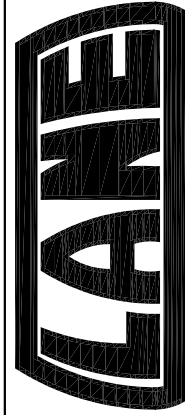
Date Drawn: 6/4/08

Drawn By: JCH



NOTES:

1. DIMENSIONS ARE SHOWN TO THE INSIDE OF THE CORRUGATION CRESTS.
2. DIMENSIONS ARE SUBJECT TO MANUFACTURING TOLERANCES.
3. PLATE LAYOUT WILL BE DETERMINED BY MANUFACTURER.
4. ALL REINFORCING PER MANUFACTURERS REQUIREMENTS.



LANE ENTERPRISES, INC.

STEEL STRUCTURAL PLATE

ARCH CULVERT DETAIL

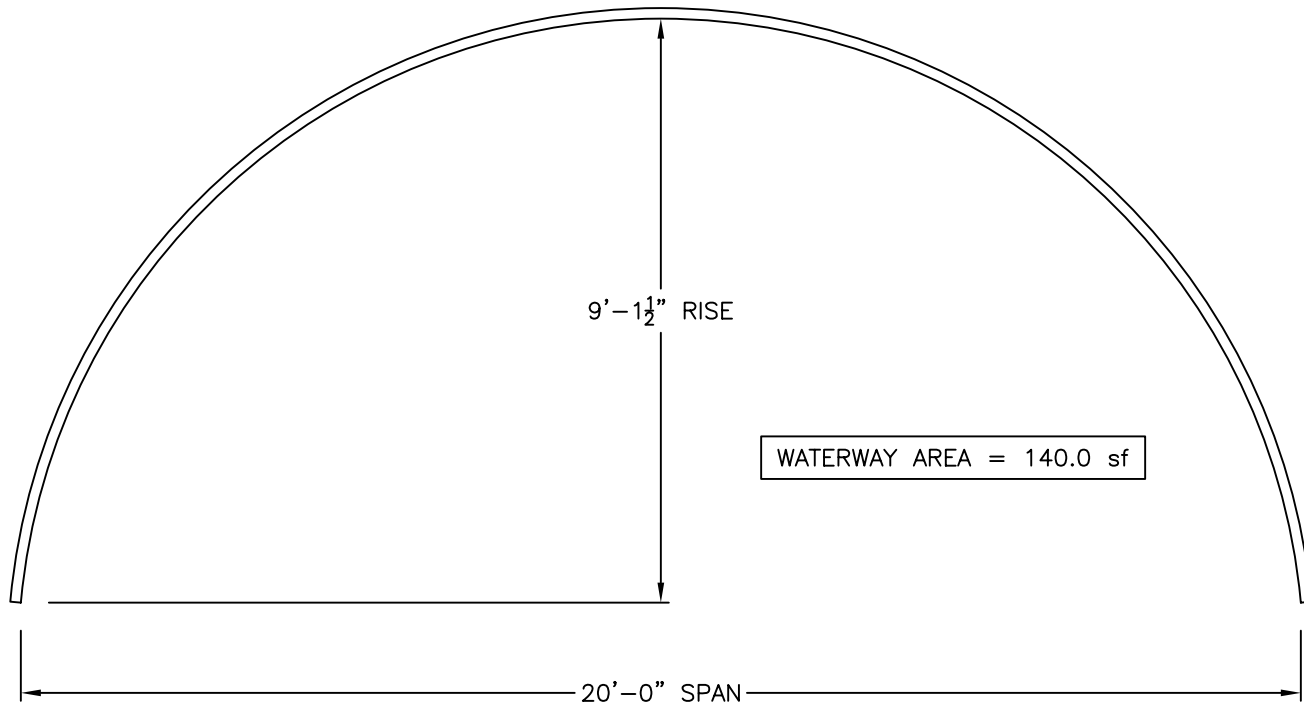
20'-0" x 9'-6 1/2"

Drawing Number: AC-S-20.00-3

Page Number: 1 OF 1

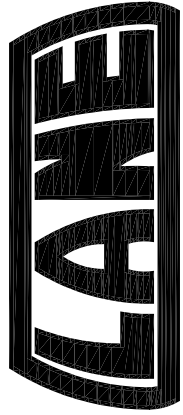
Date Drawn: 6/4/08

Drawn By: JCH



NOTES:

1. DIMENSIONS ARE SHOWN TO THE INSIDE OF THE CORRUGATION CRESTS.
2. DIMENSIONS ARE SUBJECT TO MANUFACTURING TOLERANCES.
3. PLATE LAYOUT WILL BE DETERMINED BY MANUFACTURER.
4. ALL REINFORCING PER MANUFACTURERS REQUIREMENTS.



LANE ENTERPRISES, INC.

STEEL STRUCTURAL PLATE

ARCH CULVERT DETAIL

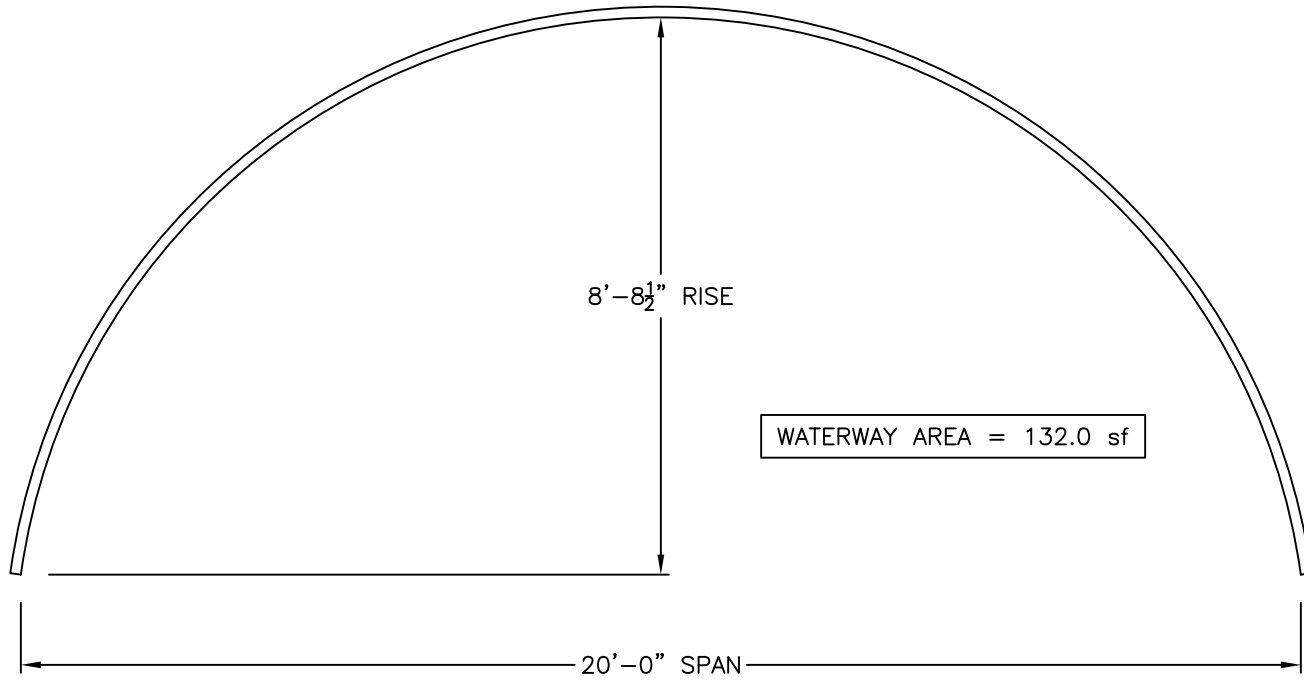
20'-0" x 9'-1 1/2"

Drawing Number: AC-S-20.00-4

Page Number: 1 OF 1

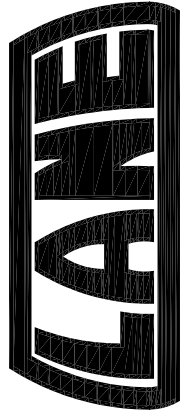
Date Drawn: 6/4/08

Drawn By: JCH



NOTES:

1. DIMENSIONS ARE SHOWN TO THE INSIDE OF THE CORRUGATION CRESTS.
2. DIMENSIONS ARE SUBJECT TO MANUFACTURING TOLERANCES.
3. PLATE LAYOUT WILL BE DETERMINED BY MANUFACTURER.
4. ALL REINFORCING PER MANUFACTURERS REQUIREMENTS.



LANE ENTERPRISES, INC.

STEEL STRUCTURAL PLATE

ARCH CULVERT DETAIL

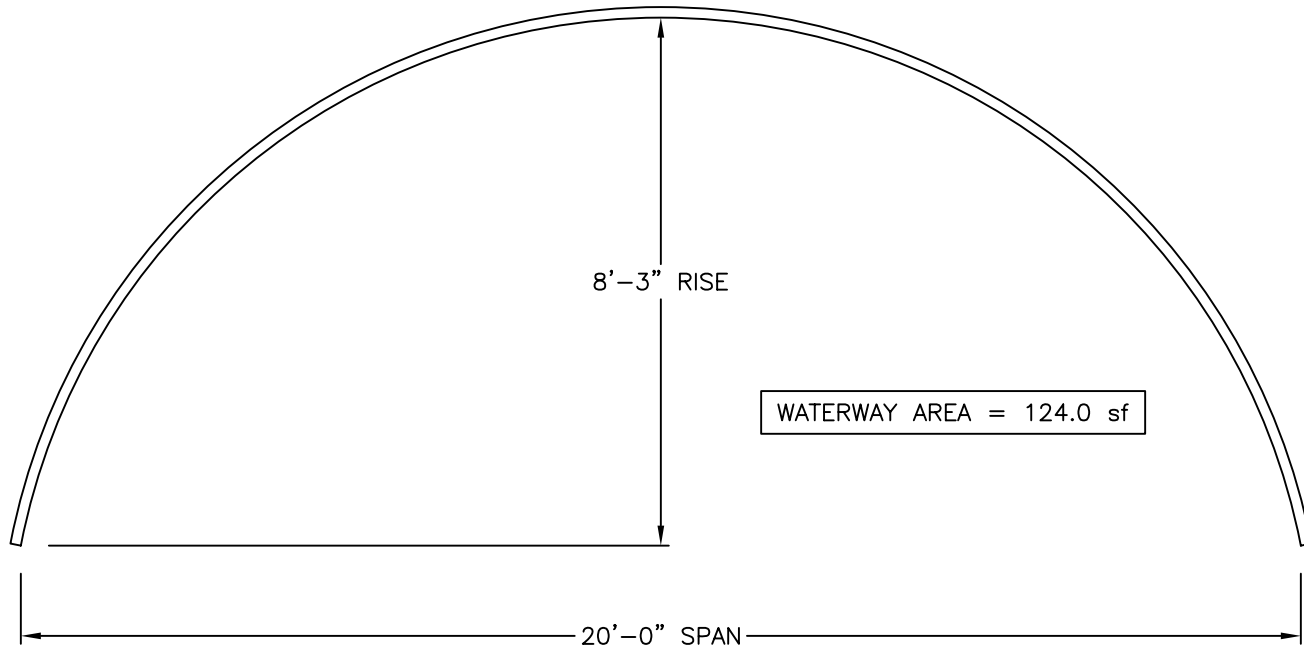
20'-0" x 8'-8 1/2"

Drawing Number: AC-S-20.00-5

Page Number: 1 OF 1

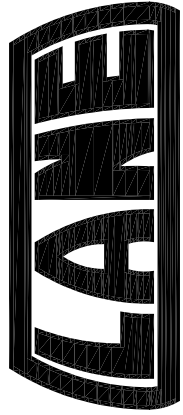
Date Drawn: 6/4/08

Drawn By: JCH



NOTES:

1. DIMENSIONS ARE SHOWN TO THE INSIDE OF THE CORRUGATION CRESTS.
2. DIMENSIONS ARE SUBJECT TO MANUFACTURING TOLERANCES.
3. PLATE LAYOUT WILL BE DETERMINED BY MANUFACTURER.
4. ALL REINFORCING PER MANUFACTURERS REQUIREMENTS.



LANE ENTERPRISES, INC.

STEEL STRUCTURAL PLATE

ARCH CULVERT DETAIL

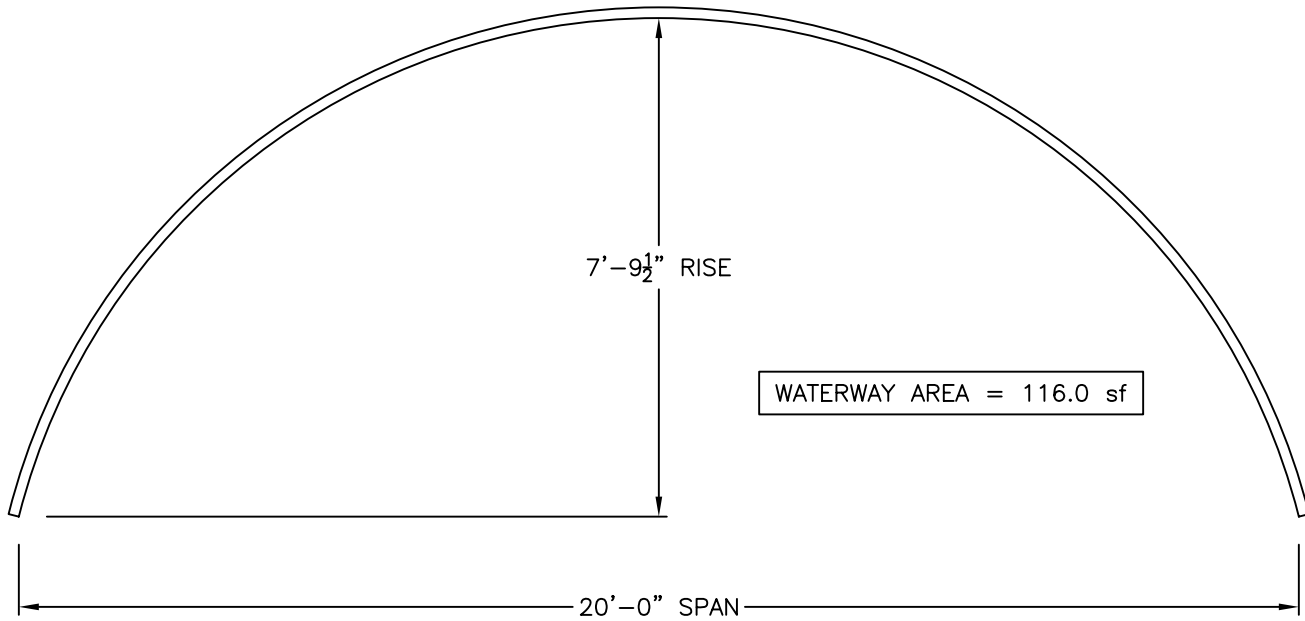
20'-0" x 8'-3"

Drawing Number: AC-S-20.00-6

Page Number: 1 OF 1

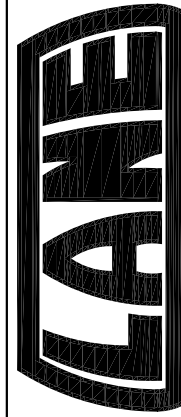
Date Drawn: 6/4/08

Drawn By: JCH



NOTES:

1. DIMENSIONS ARE SHOWN TO THE INSIDE OF THE CORRUGATION CRESTS.
2. DIMENSIONS ARE SUBJECT TO MANUFACTURING TOLERANCES.
3. PLATE LAYOUT WILL BE DETERMINED BY MANUFACTURER.
4. ALL REINFORCING PER MANUFACTURERS REQUIREMENTS.



LANE ENTERPRISES, INC.

STEEL STRUCTURAL PLATE

ARCH CULVERT DETAIL

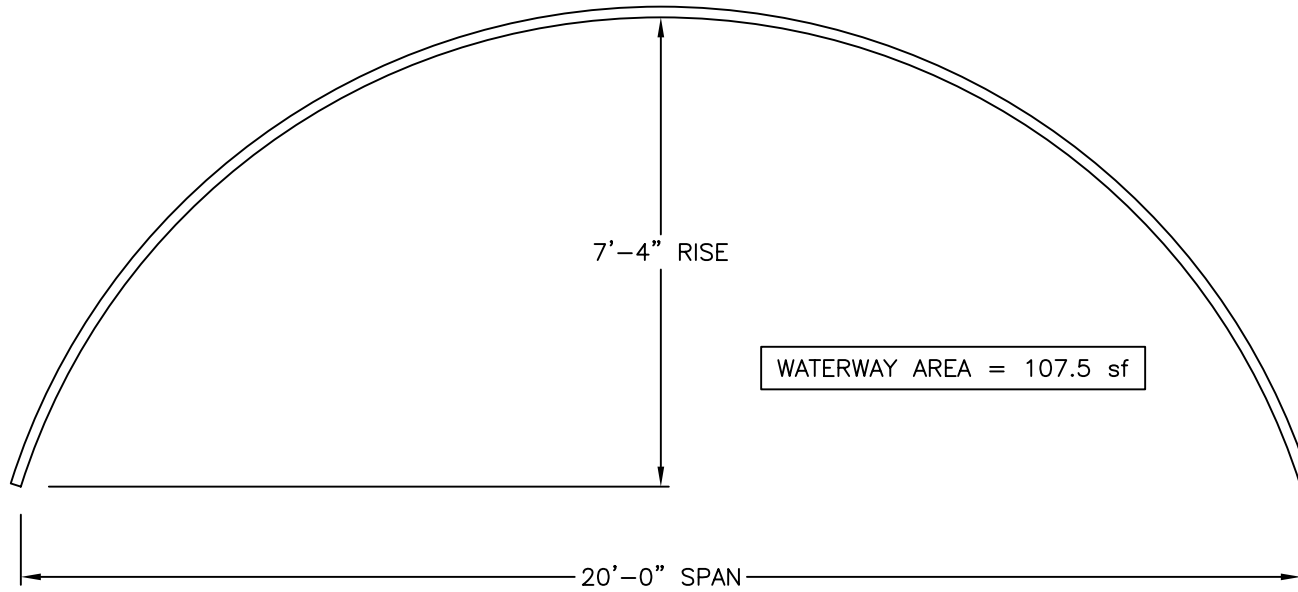
20'-0" x 7'-9 1/2"

Drawing Number: AC-S-20.00-7

Page Number: 1 OF 1

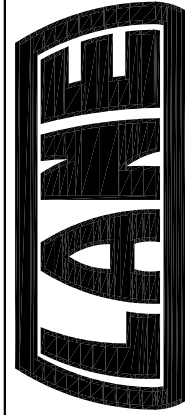
Date Drawn: 6/4/08

Drawn By: JCH



NOTES:

1. DIMENSIONS ARE SHOWN TO THE INSIDE OF THE CORRUGATION CRESTS.
2. DIMENSIONS ARE SUBJECT TO MANUFACTURING TOLERANCES.
3. PLATE LAYOUT WILL BE DETERMINED BY MANUFACTURER.
4. ALL REINFORCING PER MANUFACTURERS REQUIREMENTS.



LANE ENTERPRISES, INC.

STEEL STRUCTURAL PLATE

ARCH CULVERT DETAIL

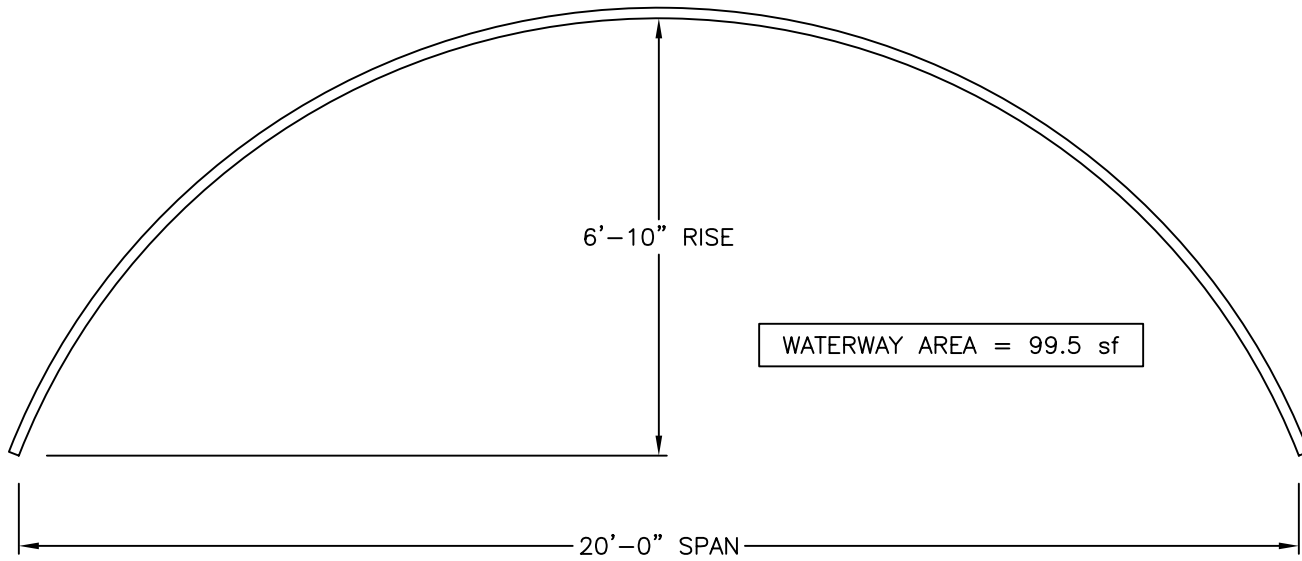
20'-0" x 7'-4"

Drawing Number: AC-S-20.00-8

Page Number: 1 OF 1

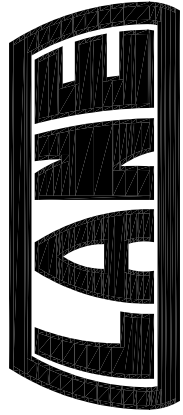
Date Drawn: 6/4/08

Drawn By: JCH



NOTES:

1. DIMENSIONS ARE SHOWN TO THE INSIDE OF THE CORRUGATION CRESTS.
2. DIMENSIONS ARE SUBJECT TO MANUFACTURING TOLERANCES.
3. PLATE LAYOUT WILL BE DETERMINED BY MANUFACTURER.
4. ALL REINFORCING PER MANUFACTURERS REQUIREMENTS.



LANE ENTERPRISES, INC.

STEEL STRUCTURAL PLATE

ARCH CULVERT DETAIL

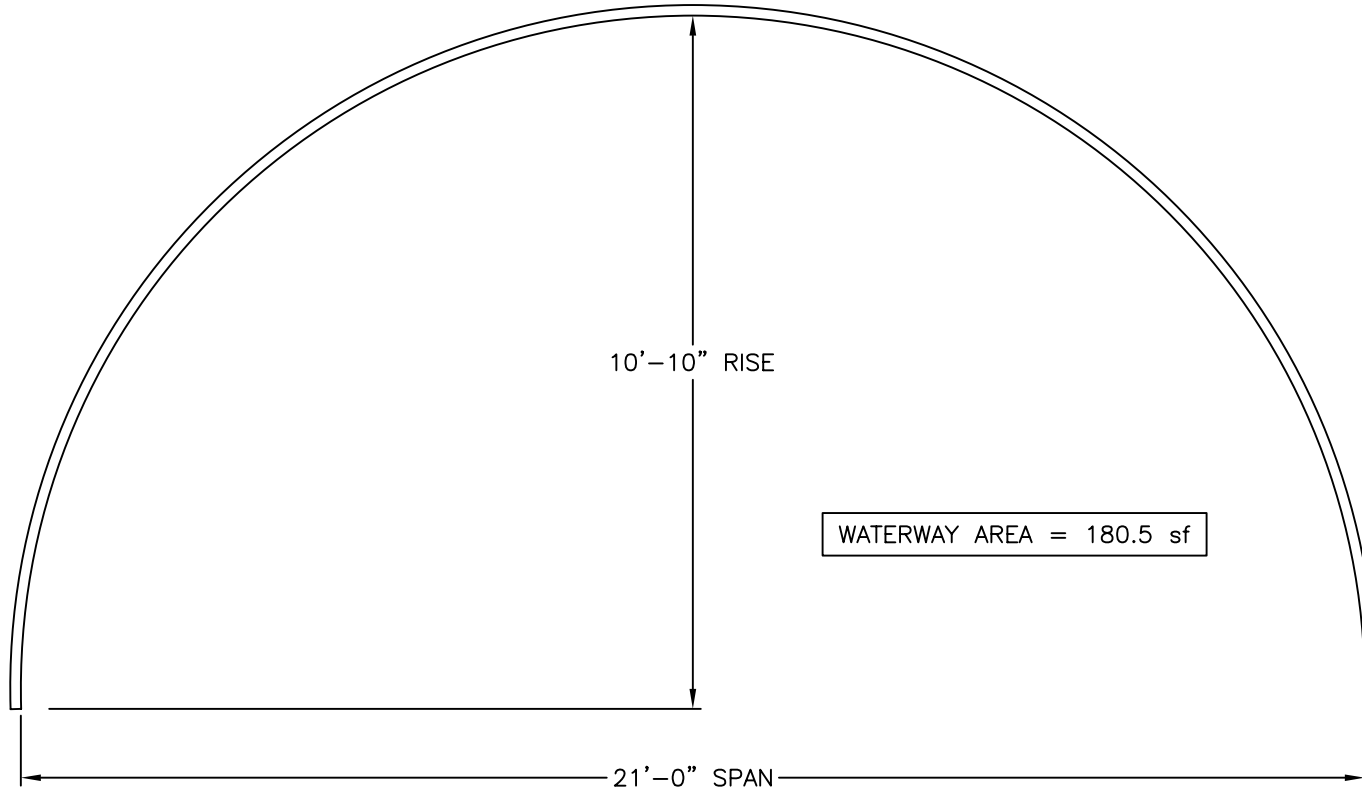
20'-0" x 6'-10"

Drawing Number: AC-S-20.00-9

Page Number: 1 OF 1

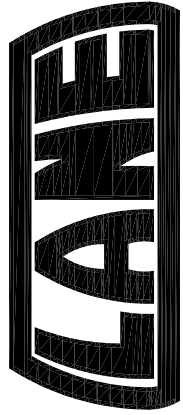
Date Drawn: 6/4/08

Drawn By: JCH



NOTES:

1. DIMENSIONS ARE SHOWN TO THE INSIDE OF THE CORRUGATION CRESTS.
2. DIMENSIONS ARE SUBJECT TO MANUFACTURING TOLERANCES.
3. PLATE LAYOUT WILL BE DETERMINED BY MANUFACTURER.
4. ALL REINFORCING PER MANUFACTURERS REQUIREMENTS.



LANE ENTERPRISES, INC.

STEEL STRUCTURAL PLATE

ARCH CULVERT DETAIL

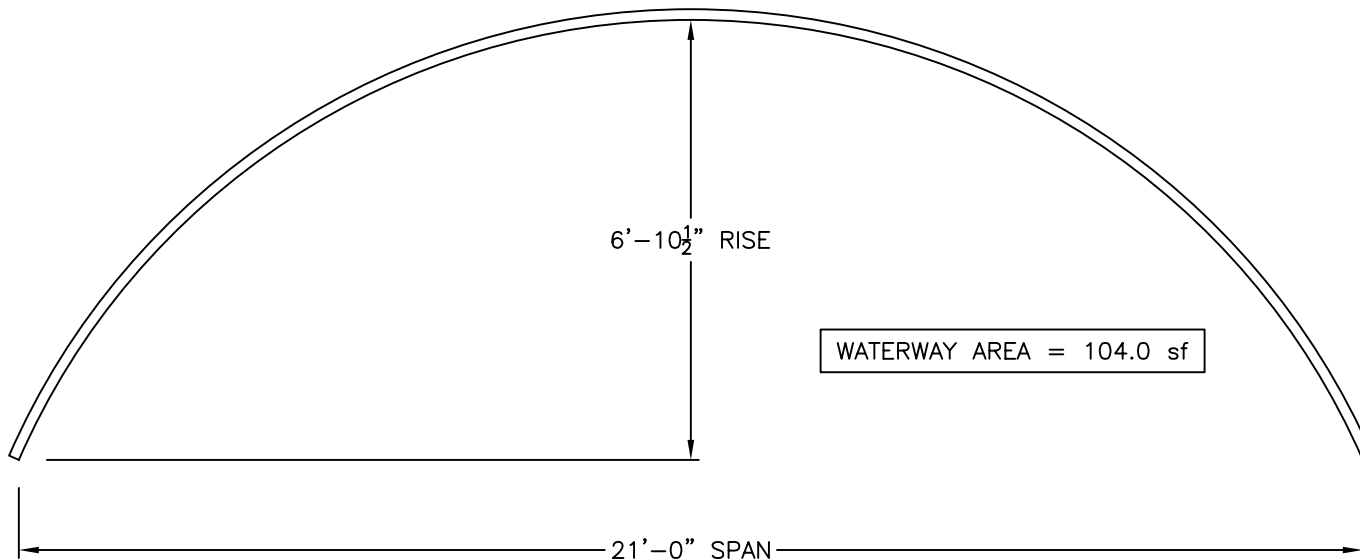
21'-0" x 10'-10"

Drawing Number: AC-S-21.00-1

Page Number: 1 OF 1

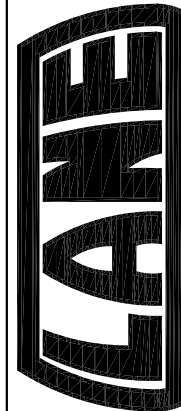
Date Drawn: 6/4/08

Drawn By: JCH



NOTES:

1. DIMENSIONS ARE SHOWN TO THE INSIDE OF THE CORRUGATION CRESTS.
2. DIMENSIONS ARE SUBJECT TO MANUFACTURING TOLERANCES.
3. PLATE LAYOUT WILL BE DETERMINED BY MANUFACTURER.
4. ALL REINFORCING PER MANUFACTURERS REQUIREMENTS.



LANE ENTERPRISES, INC.

STEEL STRUCTURAL PLATE

ARCH CULVERT DETAIL

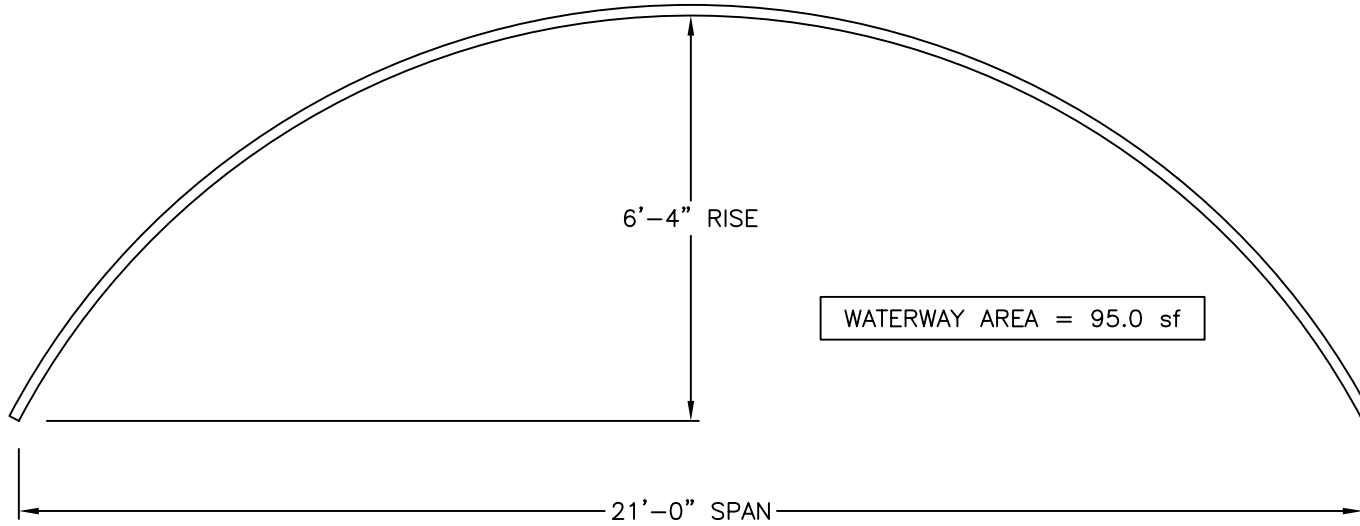
21'-0" x 6'-10 1/2"

Drawing Number: AC-S-21.00-10

Page Number: 1 OF 1

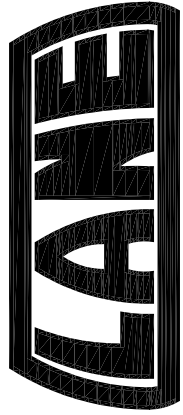
Date Drawn: 6/4/08

Drawn By: JCH



NOTES:

1. DIMENSIONS ARE SHOWN TO THE INSIDE OF THE CORRUGATION CRESTS.
2. DIMENSIONS ARE SUBJECT TO MANUFACTURING TOLERANCES.
3. PLATE LAYOUT WILL BE DETERMINED BY MANUFACTURER.
4. ALL REINFORCING PER MANUFACTURERS REQUIREMENTS.



LANE ENTERPRISES, INC.

STEEL STRUCTURAL PLATE

ARCH CULVERT DETAIL

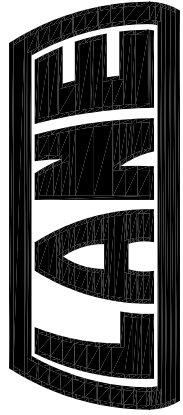
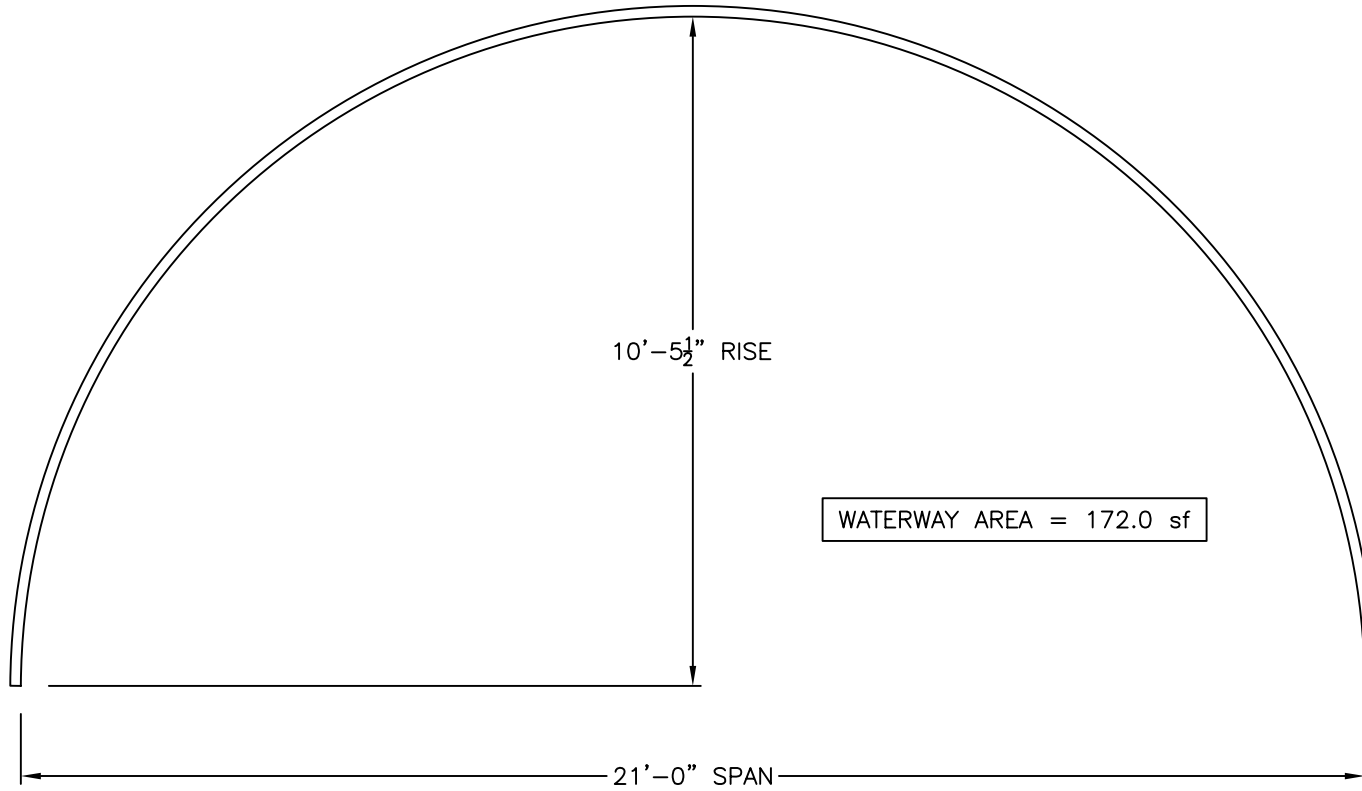
21'-0" x 6'-4"

Drawing Number: AC-S-21.00-11

Page Number: 1 OF 1

Date Drawn: 6/4/08

Drawn By: JCH



LANE ENTERPRISES, INC.

STEEL STRUCTURAL PLATE

ARCH CULVERT DETAIL

21'-0" x 10'-5 1/2"

Drawing Number: AC-S-21.00-2

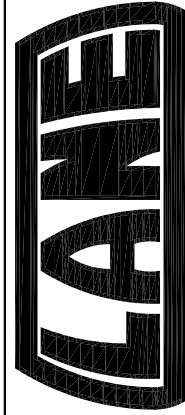
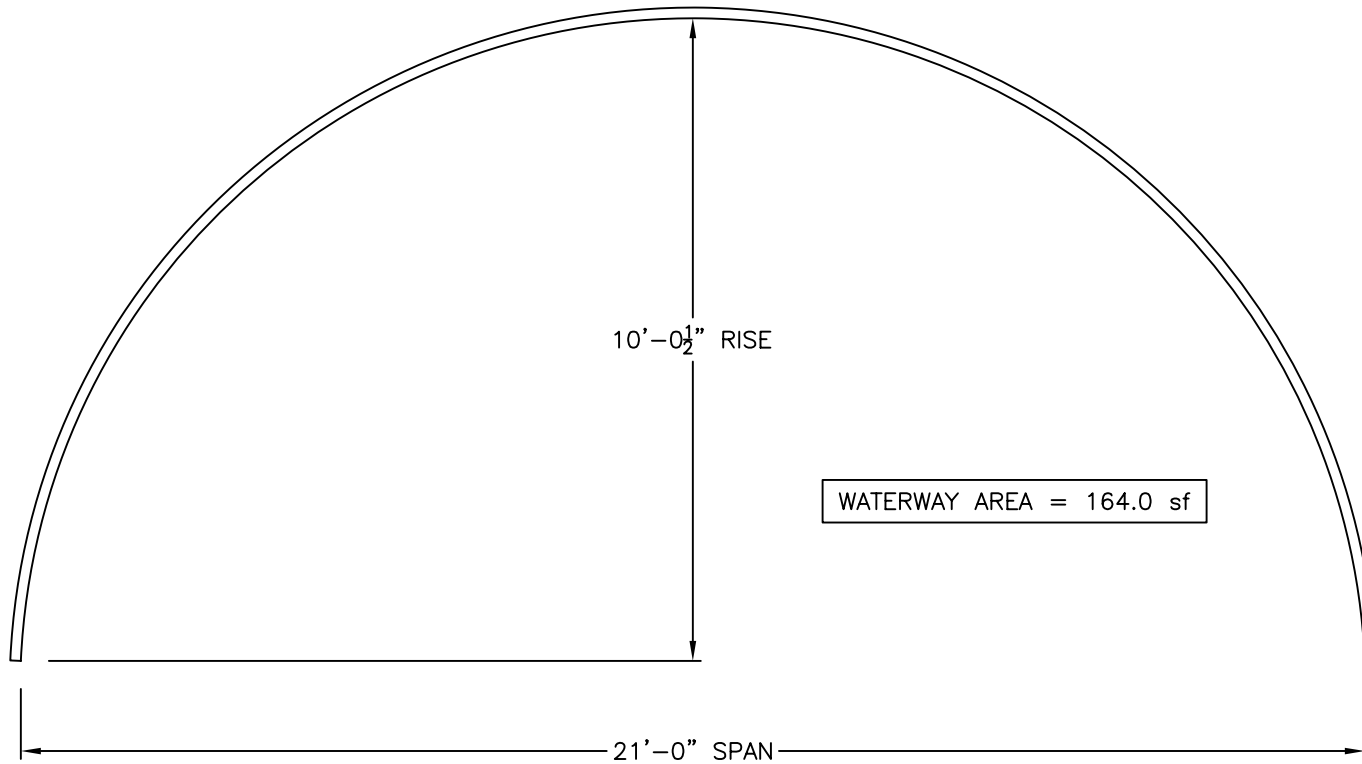
Page Number: 1 OF 1

Date Drawn: 6/4/08

Drawn By: JCH

NOTES:

1. DIMENSIONS ARE SHOWN TO THE INSIDE OF THE CORRUGATION CRESTS.
2. DIMENSIONS ARE SUBJECT TO MANUFACTURING TOLERANCES.
3. PLATE LAYOUT WILL BE DETERMINED BY MANUFACTURER.
4. ALL REINFORCING PER MANUFACTURERS REQUIREMENTS.



LANE ENTERPRISES, INC.

STEEL STRUCTURAL PLATE

ARCH CULVERT DETAIL

21'-0" x 10'-0 1/2"

Drawing Number: AC-S-21.00-3

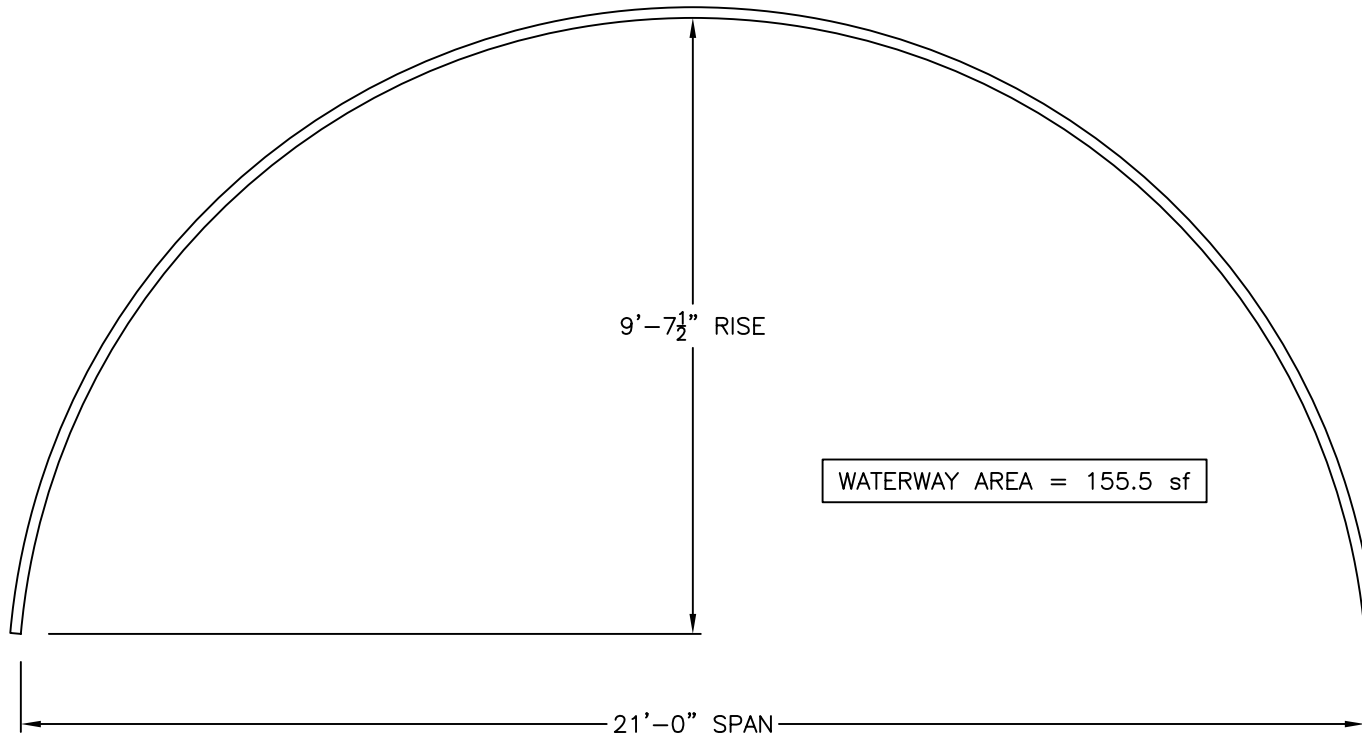
Page Number: 1 OF 1

Date Drawn: 6/4/08

Drawn By: JCH

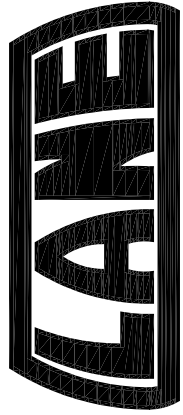
NOTES:

1. DIMENSIONS ARE SHOWN TO THE INSIDE OF THE CORRUGATION CRESTS.
2. DIMENSIONS ARE SUBJECT TO MANUFACTURING TOLERANCES.
3. PLATE LAYOUT WILL BE DETERMINED BY MANUFACTURER.
4. ALL REINFORCING PER MANUFACTURERS REQUIREMENTS.



NOTES:

1. DIMENSIONS ARE SHOWN TO THE INSIDE OF THE CORRUGATION CRESTS.
2. DIMENSIONS ARE SUBJECT TO MANUFACTURING TOLERANCES.
3. PLATE LAYOUT WILL BE DETERMINED BY MANUFACTURER.
4. ALL REINFORCING PER MANUFACTURERS REQUIREMENTS.



LANE ENTERPRISES, INC.

STEEL STRUCTURAL PLATE

ARCH CULVERT DETAIL

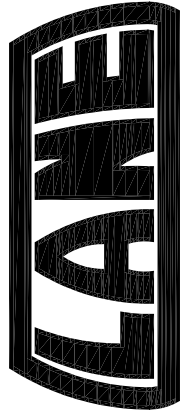
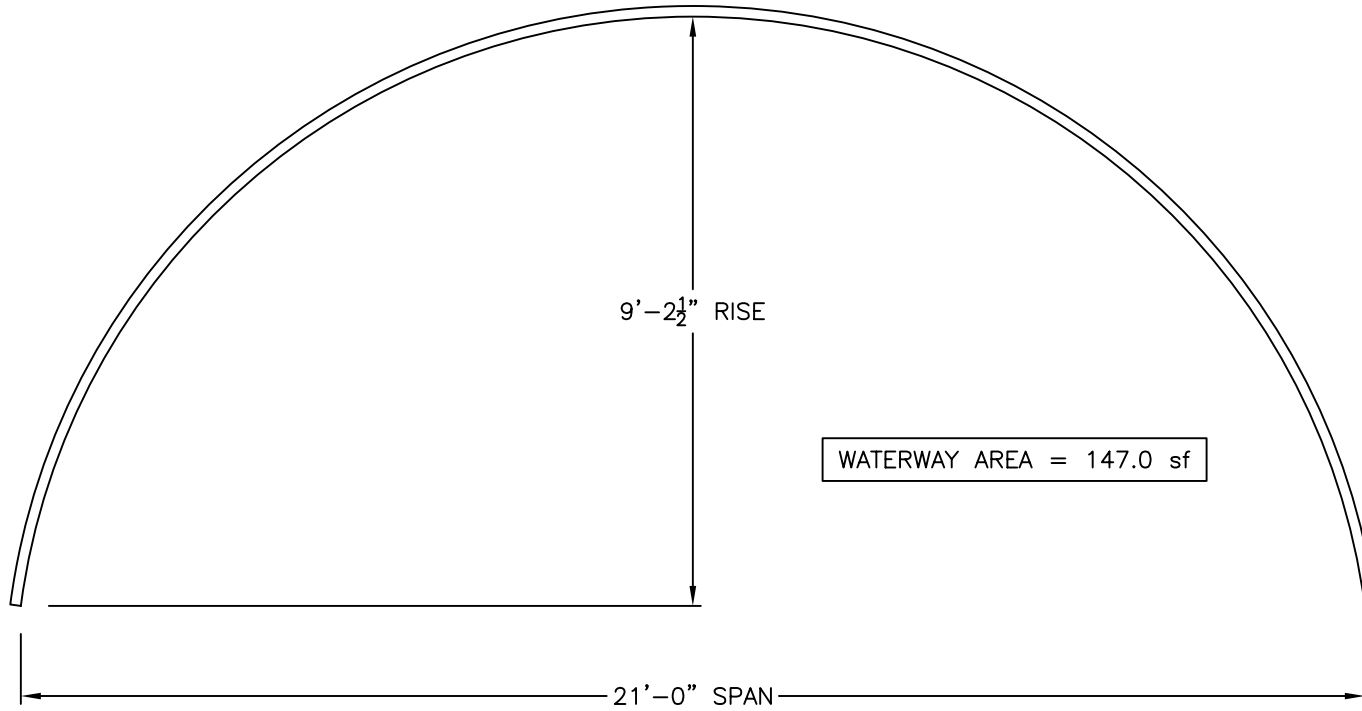
21'-0" x 9'-7 1/2"

Drawing Number: AC-S-21.00-4

Page Number: 1 OF 1

Date Drawn: 6/4/08

Drawn By: JCH



LANE ENTERPRISES, INC.

STEEL STRUCTURAL PLATE
 ARCH CULVERT DETAIL
 21'-0" x 9'-2 1/2"

Drawing Number: AC-S-21.00-5

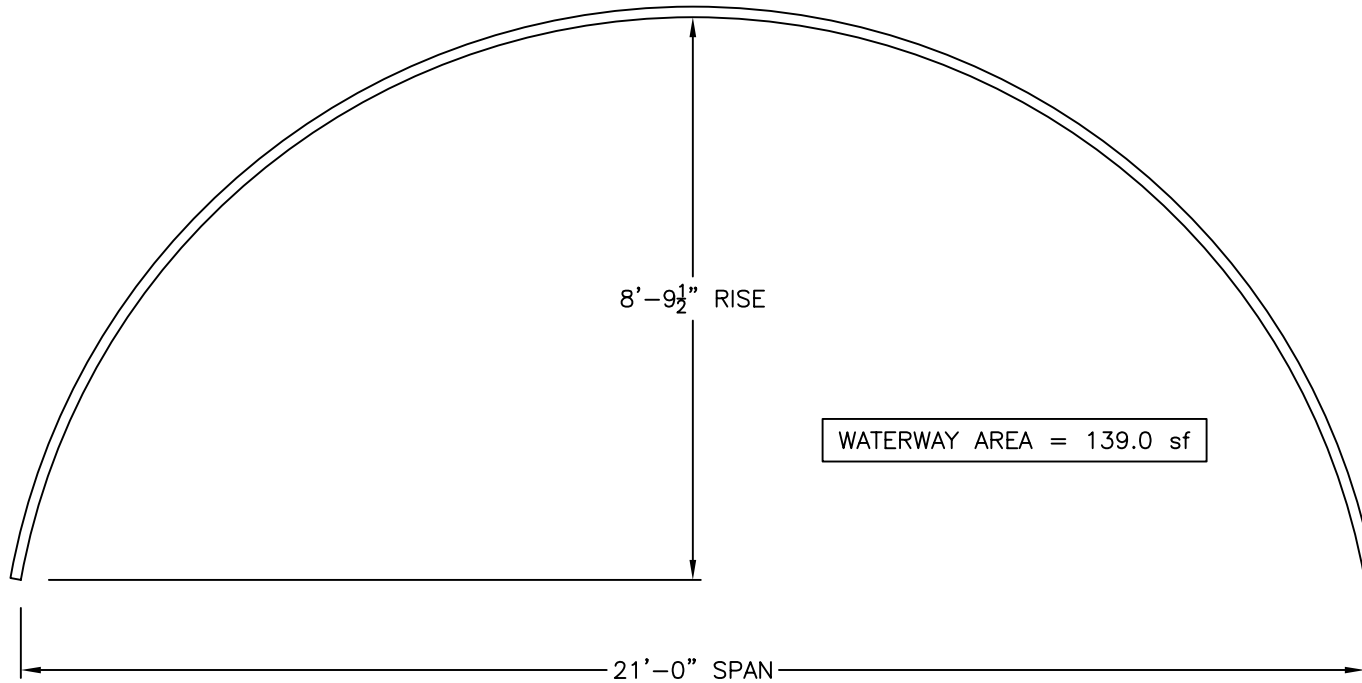
Page Number: 1 OF 1

Date Drawn: 6/4/08

Drawn By: JCH

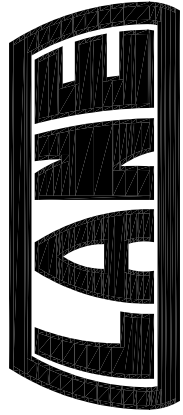
NOTES:

1. DIMENSIONS ARE SHOWN TO THE INSIDE OF THE CORRUGATION CRESTS.
2. DIMENSIONS ARE SUBJECT TO MANUFACTURING TOLERANCES.
3. PLATE LAYOUT WILL BE DETERMINED BY MANUFACTURER.
4. ALL REINFORCING PER MANUFACTURERS REQUIREMENTS.



NOTES:

1. DIMENSIONS ARE SHOWN TO THE INSIDE OF THE CORRUGATION CRESTS.
2. DIMENSIONS ARE SUBJECT TO MANUFACTURING TOLERANCES.
3. PLATE LAYOUT WILL BE DETERMINED BY MANUFACTURER.
4. ALL REINFORCING PER MANUFACTURERS REQUIREMENTS.



LANE ENTERPRISES, INC.

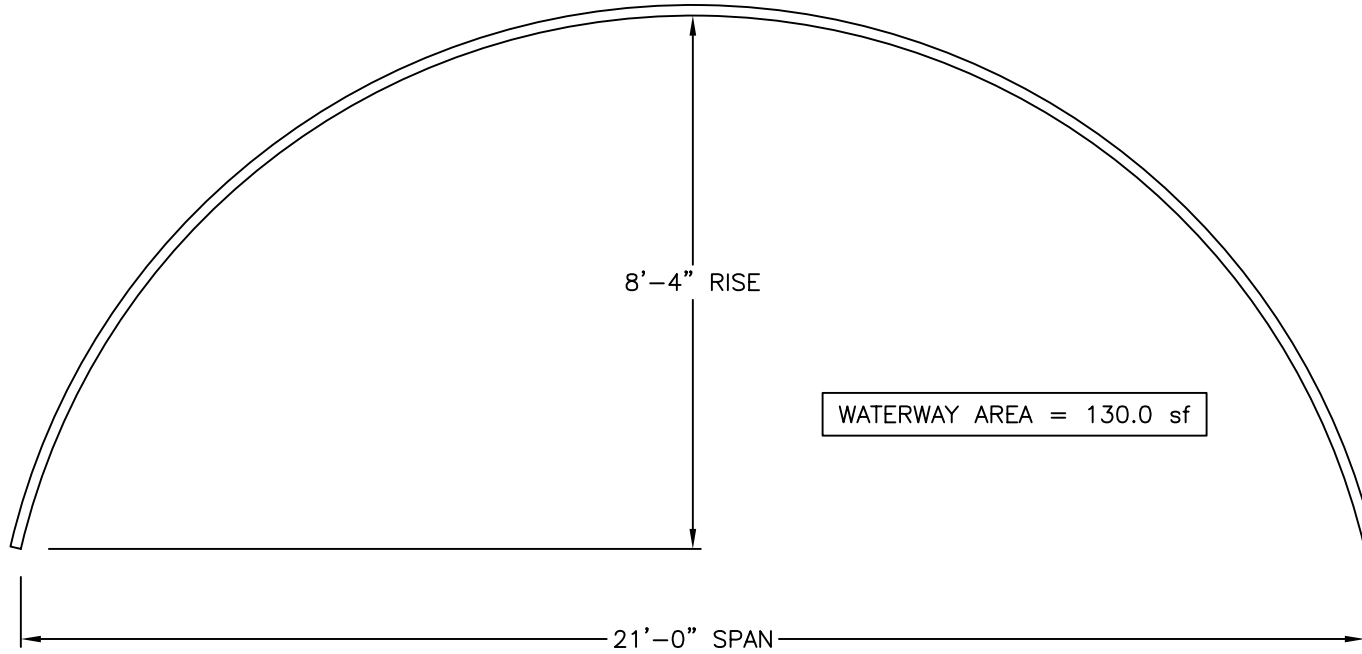
STEEL STRUCTURAL PLATE
 ARCH CULVERT DETAIL
 21'-0" x 8'-9 1/2"

Drawing Number: AC-S-21.00-6

Page Number: 1 OF 1

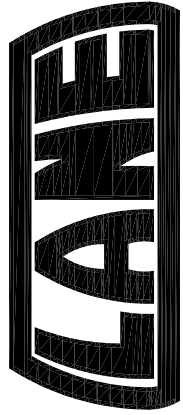
Date Drawn: 6/4/08

Drawn By: JCH



NOTES:

1. DIMENSIONS ARE SHOWN TO THE INSIDE OF THE CORRUGATION CRESTS.
2. DIMENSIONS ARE SUBJECT TO MANUFACTURING TOLERANCES.
3. PLATE LAYOUT WILL BE DETERMINED BY MANUFACTURER.
4. ALL REINFORCING PER MANUFACTURERS REQUIREMENTS.



LANE ENTERPRISES, INC.

STEEL STRUCTURAL PLATE

ARCH CULVERT DETAIL

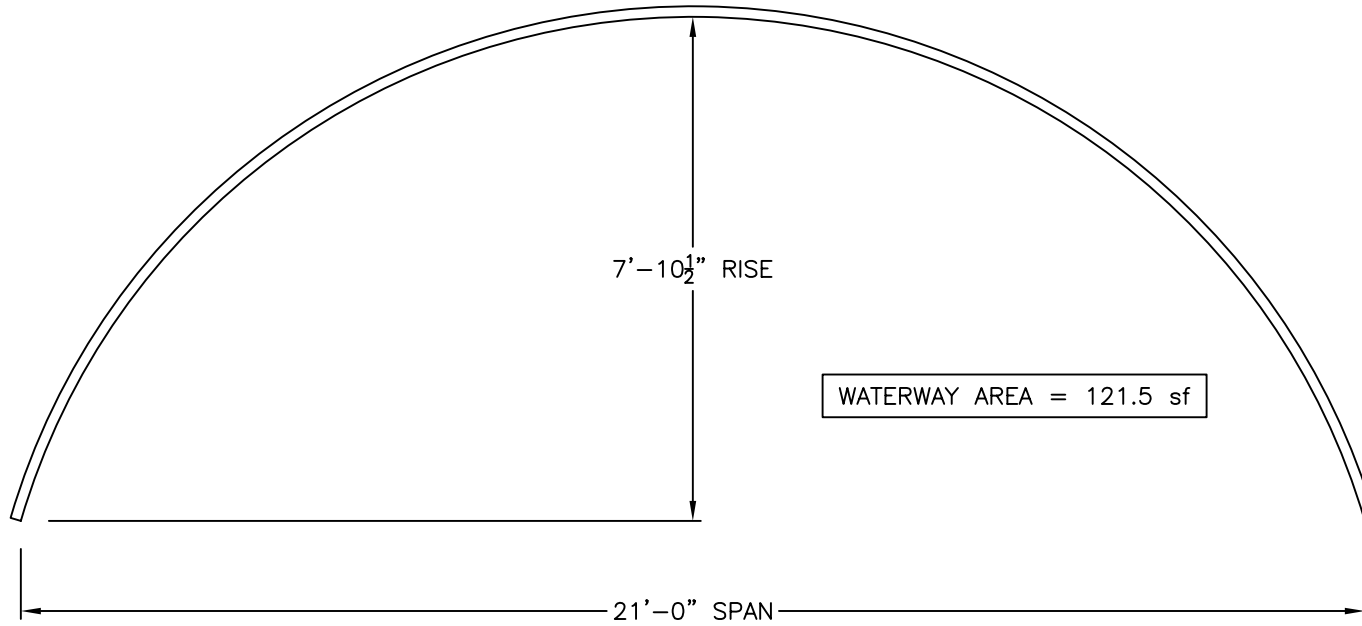
21'-0" x 8'-4"

Drawing Number: AC-S-21.00-7

Page Number: 1 OF 1

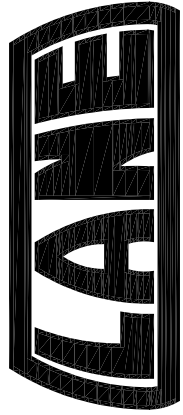
Date Drawn: 6/4/08

Drawn By: JCH



NOTES:

1. DIMENSIONS ARE SHOWN TO THE INSIDE OF THE CORRUGATION CRESTS.
2. DIMENSIONS ARE SUBJECT TO MANUFACTURING TOLERANCES.
3. PLATE LAYOUT WILL BE DETERMINED BY MANUFACTURER.
4. ALL REINFORCING PER MANUFACTURERS REQUIREMENTS.



LANE ENTERPRISES, INC.

STEEL STRUCTURAL PLATE

ARCH CULVERT DETAIL

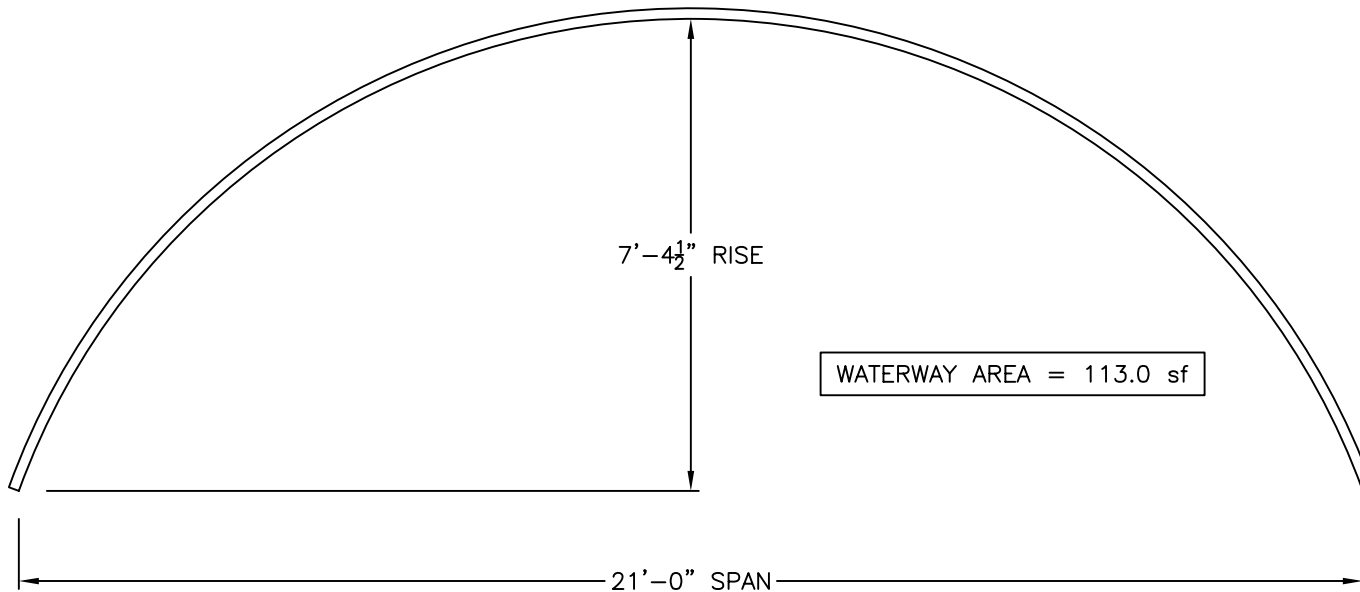
21'-0" x 7'-10 1/2"

Drawing Number: AC-S-21.00-8

Page Number: 1 OF 1

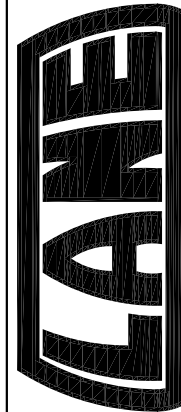
Date Drawn: 6/4/08

Drawn By: JCH



NOTES:

1. DIMENSIONS ARE SHOWN TO THE INSIDE OF THE CORRUGATION CRESTS.
2. DIMENSIONS ARE SUBJECT TO MANUFACTURING TOLERANCES.
3. PLATE LAYOUT WILL BE DETERMINED BY MANUFACTURER.
4. ALL REINFORCING PER MANUFACTURERS REQUIREMENTS.



LANE ENTERPRISES, INC.

STEEL STRUCTURAL PLATE

ARCH CULVERT DETAIL

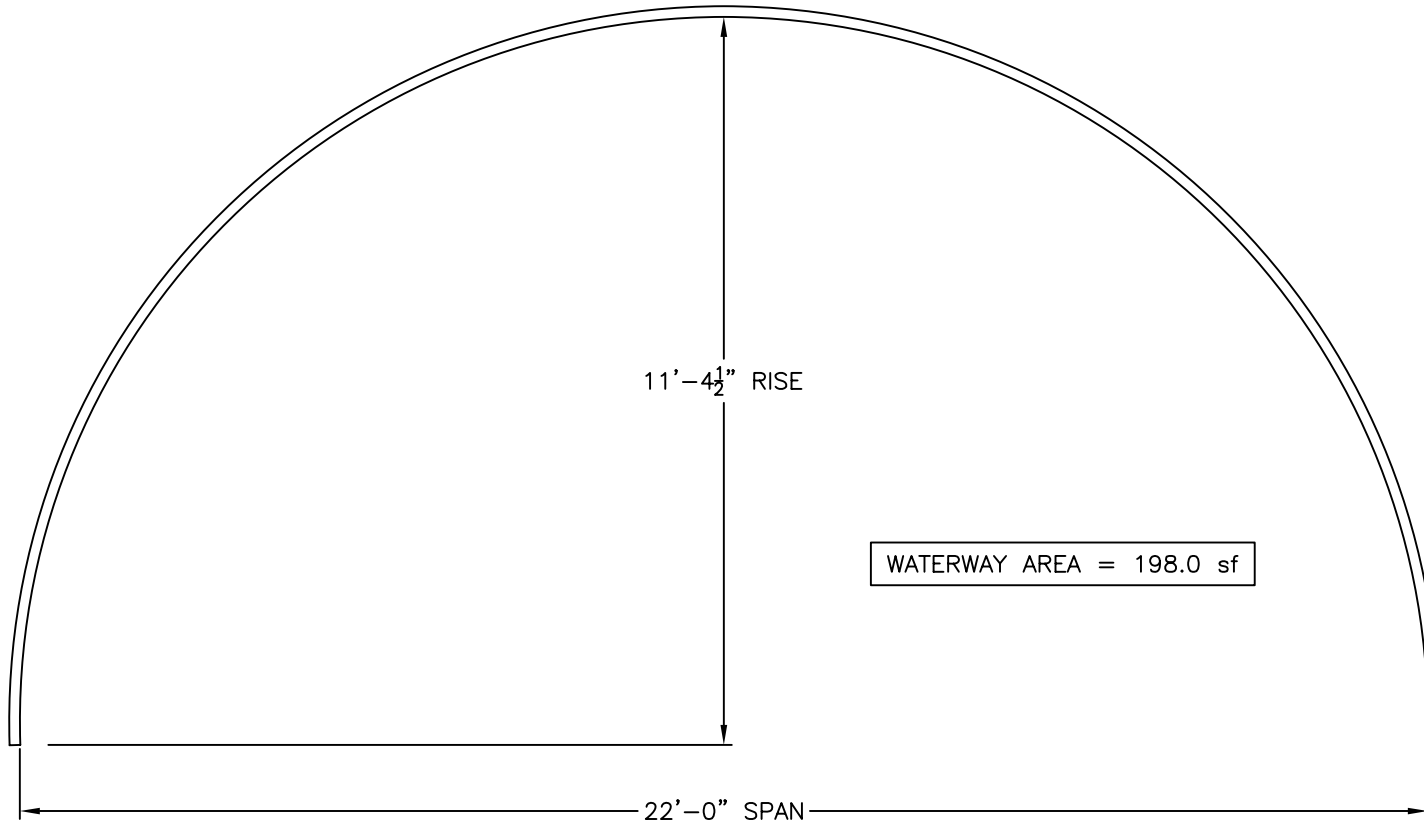
21'-0" x 7'-4 1/2"

Drawing Number: AC-S-21.00-9

Page Number: 1 OF 1

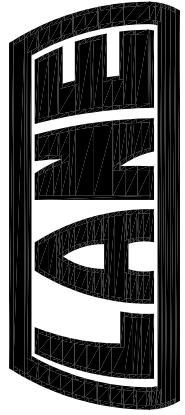
Date Drawn: 6/4/08

Drawn By: JCH



NOTES:

1. DIMENSIONS ARE SHOWN TO THE INSIDE OF THE CORRUGATION CRESTS.
2. DIMENSIONS ARE SUBJECT TO MANUFACTURING TOLERANCES.
3. PLATE LAYOUT WILL BE DETERMINED BY MANUFACTURER.
4. ALL REINFORCING PER MANUFACTURERS REQUIREMENTS.



LANE ENTERPRISES, INC.

STEEL STRUCTURAL PLATE

ARCH CULVERT DETAIL

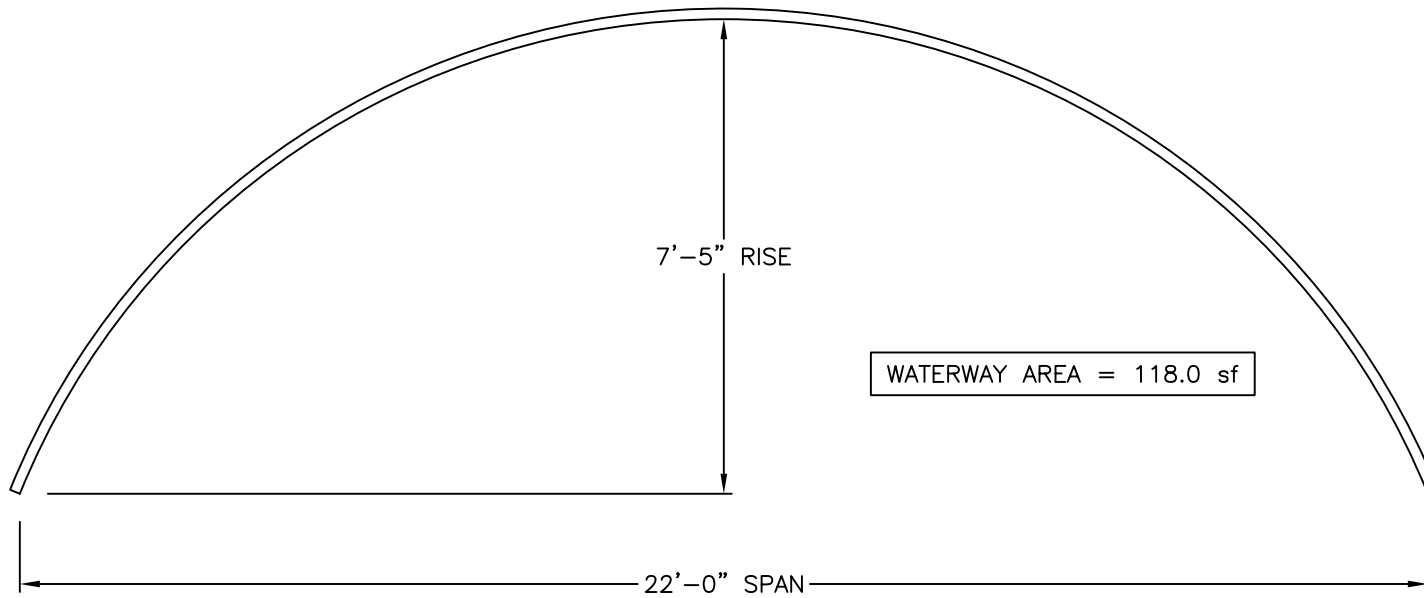
22'-0" x 11'-4 1/2"

Drawing Number: AC-S-22.00-1

Page Number: 1 OF 1

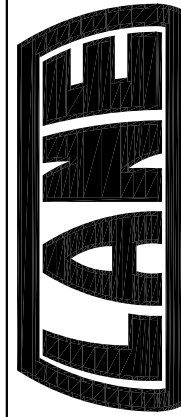
Date Drawn: 6/4/08

Drawn By: JCH



NOTES:

1. DIMENSIONS ARE SHOWN TO THE INSIDE OF THE CORRUGATION CRESTS.
2. DIMENSIONS ARE SUBJECT TO MANUFACTURING TOLERANCES.
3. PLATE LAYOUT WILL BE DETERMINED BY MANUFACTURER.
4. ALL REINFORCING PER MANUFACTURERS REQUIREMENTS.



LANE ENTERPRISES, INC.

STEEL STRUCTURAL PLATE

ARCH CULVERT DETAIL

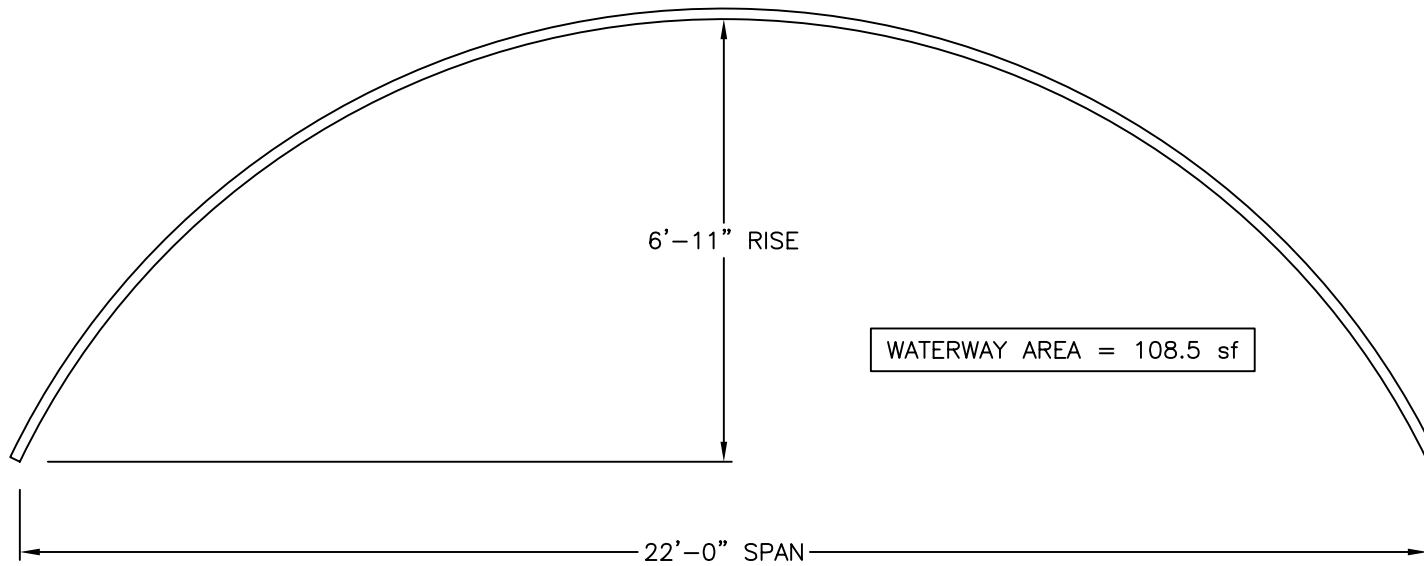
22'-0" x 7'-5"

Drawing Number: AC-S-22.00-10

Page Number: 1 OF 1

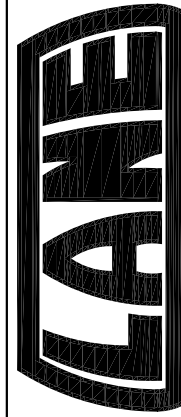
Date Drawn: 6/4/08

Drawn By: JCH



NOTES:

1. DIMENSIONS ARE SHOWN TO THE INSIDE OF THE CORRUGATION CRESTS.
2. DIMENSIONS ARE SUBJECT TO MANUFACTURING TOLERANCES.
3. PLATE LAYOUT WILL BE DETERMINED BY MANUFACTURER.
4. ALL REINFORCING PER MANUFACTURERS REQUIREMENTS.



LANE ENTERPRISES, INC.

STEEL STRUCTURAL PLATE

ARCH CULVERT DETAIL

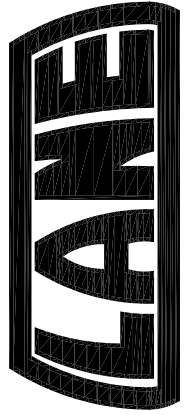
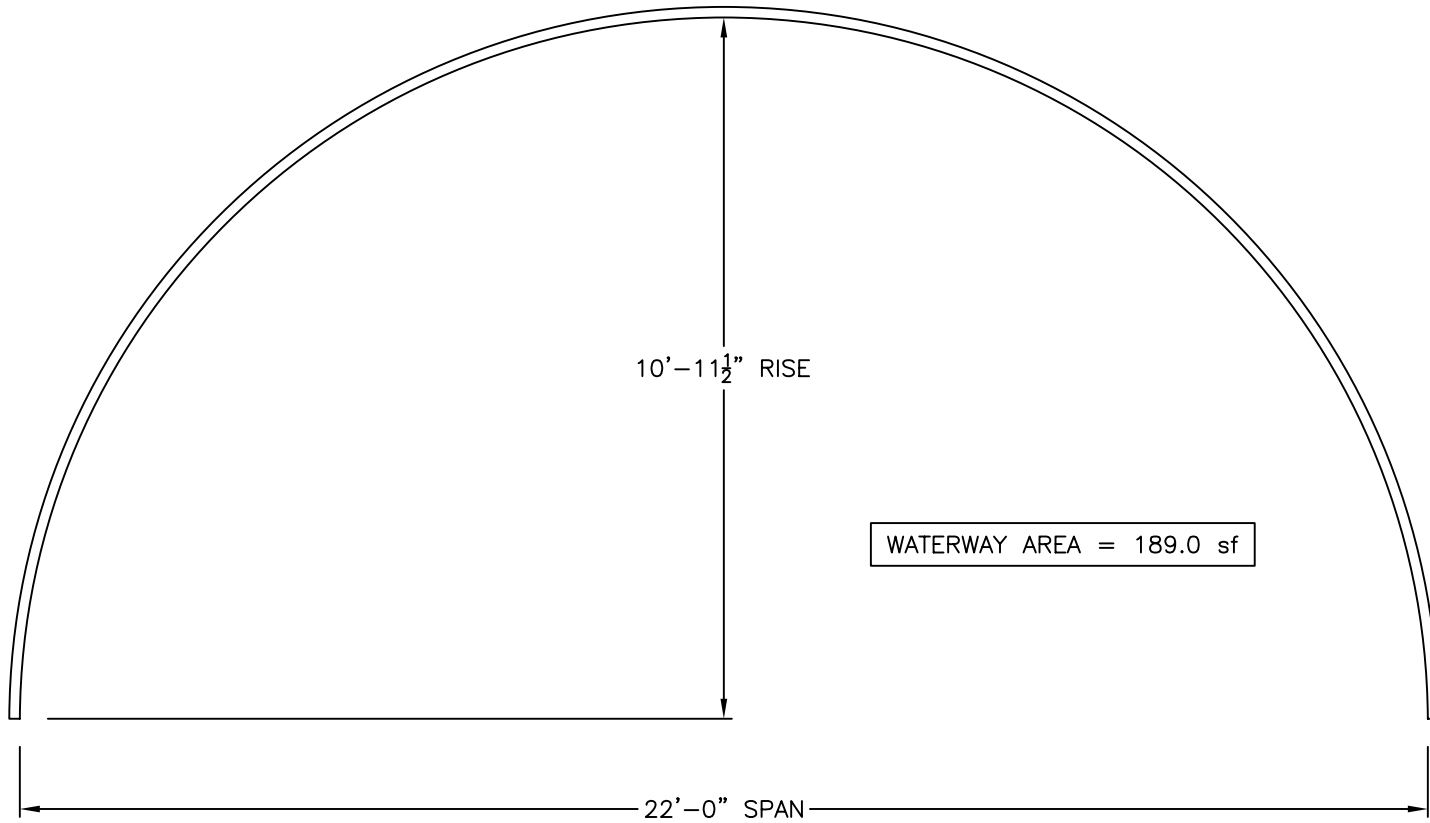
22'-0" x 6'-11"

Drawing Number: AC-S-22.00-11

Page Number: 1 OF 1

Date Drawn: 6/4/08

Drawn By: JCH



LANE ENTERPRISES, INC.

STEEL STRUCTURAL PLATE

ARCH CULVERT DETAIL

22'-0" x 10'-11 1/2"

Drawing Number: AC-S-22.00-2

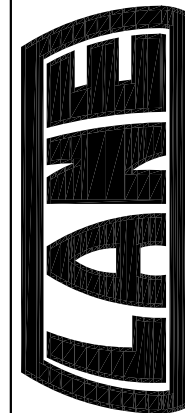
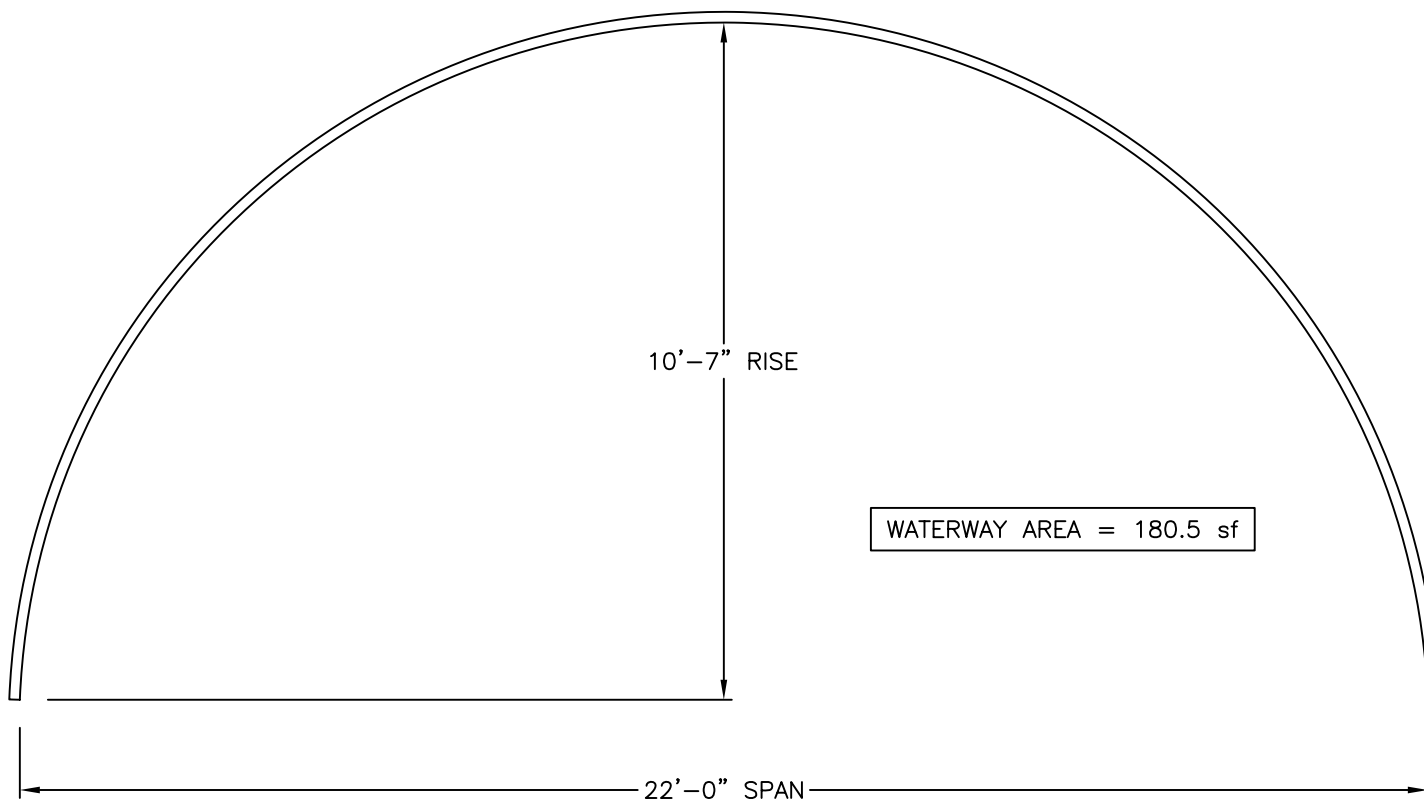
Page Number: 1 OF 1

Date Drawn: 6/4/08

Drawn By: JCH

NOTES:

1. DIMENSIONS ARE SHOWN TO THE INSIDE OF THE CORRUGATION CRESTS.
2. DIMENSIONS ARE SUBJECT TO MANUFACTURING TOLERANCES.
3. PLATE LAYOUT WILL BE DETERMINED BY MANUFACTURER.
4. ALL REINFORCING PER MANUFACTURERS REQUIREMENTS.



LANE ENTERPRISES, INC.

STEEL STRUCTURAL PLATE

ARCH CULVERT DETAIL

22'-0" x 10'-7"

Drawing Number: AC-S-22.00-3

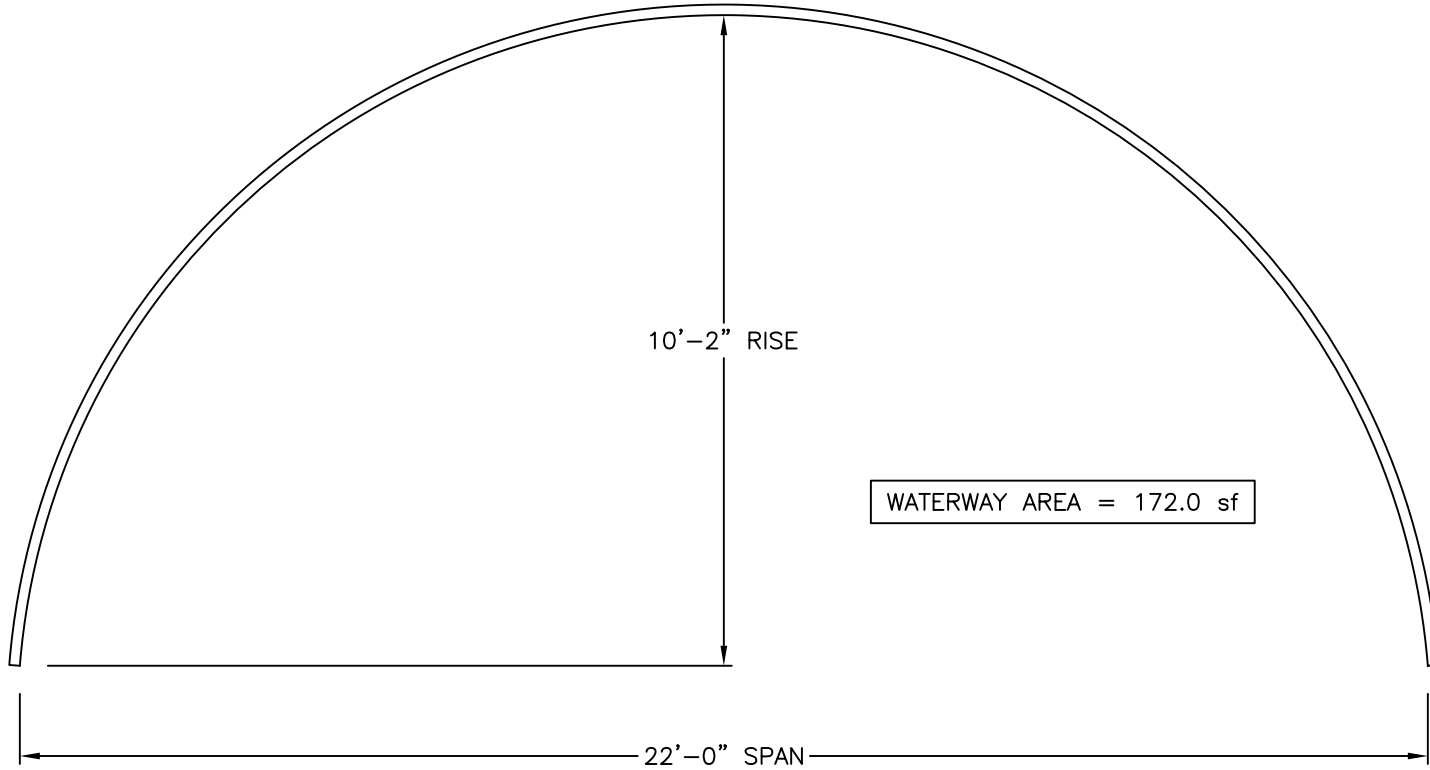
Page Number: 1 OF 1

Date Drawn: 6/4/08

Drawn By: JCH

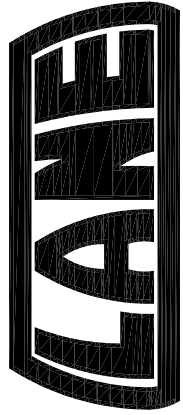
NOTES:

1. DIMENSIONS ARE SHOWN TO THE INSIDE OF THE CORRUGATION CRESTS.
2. DIMENSIONS ARE SUBJECT TO MANUFACTURING TOLERANCES.
3. PLATE LAYOUT WILL BE DETERMINED BY MANUFACTURER.
4. ALL REINFORCING PER MANUFACTURERS REQUIREMENTS.



NOTES:

1. DIMENSIONS ARE SHOWN TO THE INSIDE OF THE CORRUGATION CRESTS.
2. DIMENSIONS ARE SUBJECT TO MANUFACTURING TOLERANCES.
3. PLATE LAYOUT WILL BE DETERMINED BY MANUFACTURER.
4. ALL REINFORCING PER MANUFACTURERS REQUIREMENTS.



LANE ENTERPRISES, INC.

STEEL STRUCTURAL PLATE

ARCH CULVERT DETAIL

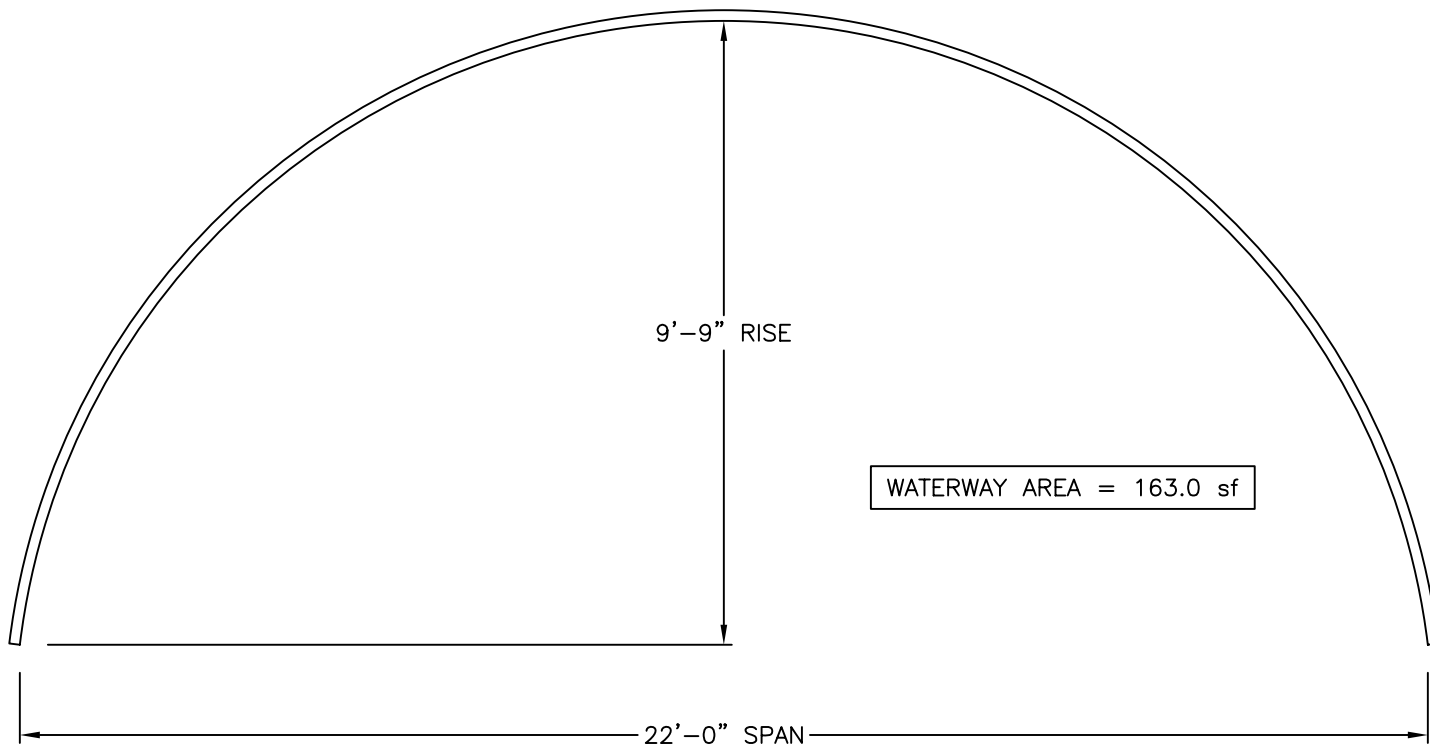
22'-0" x 10'-2"

Drawing Number: AC-S-22.00-4

Page Number: 1 OF 1

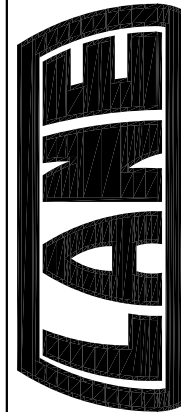
Date Drawn: 6/4/08

Drawn By: JCH



NOTES:

1. DIMENSIONS ARE SHOWN TO THE INSIDE OF THE CORRUGATION CRESTS.
2. DIMENSIONS ARE SUBJECT TO MANUFACTURING TOLERANCES.
3. PLATE LAYOUT WILL BE DETERMINED BY MANUFACTURER.
4. ALL REINFORCING PER MANUFACTURERS REQUIREMENTS.



LANE ENTERPRISES, INC.

STEEL STRUCTURAL PLATE

ARCH CULVERT DETAIL

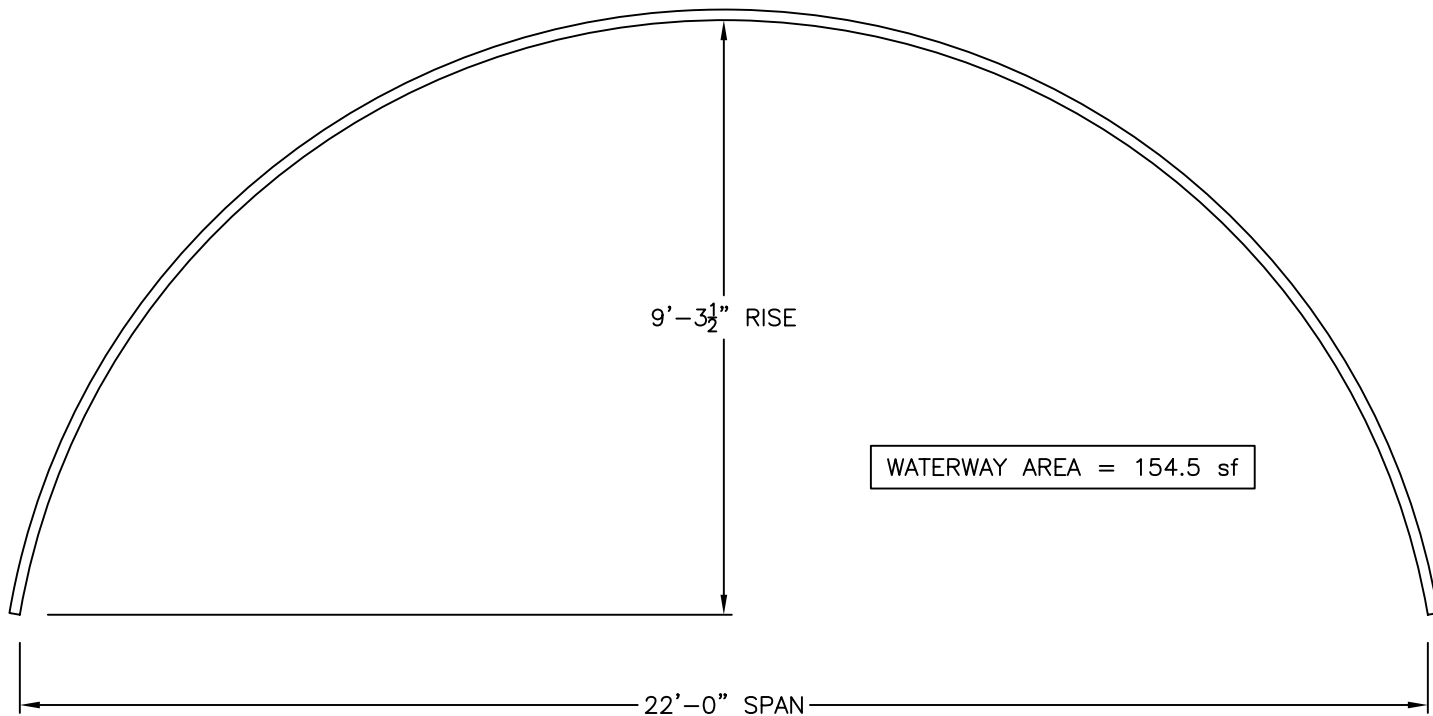
22'-0" x 9'-9"

Drawing Number: AC-S-22.00-5

Page Number: 1 OF 1

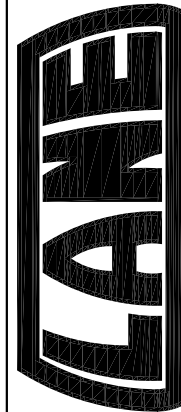
Date Drawn: 6/4/08

Drawn By: JCH



NOTES:

1. DIMENSIONS ARE SHOWN TO THE INSIDE OF THE CORRUGATION CRESTS.
2. DIMENSIONS ARE SUBJECT TO MANUFACTURING TOLERANCES.
3. PLATE LAYOUT WILL BE DETERMINED BY MANUFACTURER.
4. ALL REINFORCING PER MANUFACTURERS REQUIREMENTS.



LANE ENTERPRISES, INC.

STEEL STRUCTURAL PLATE

ARCH CULVERT DETAIL

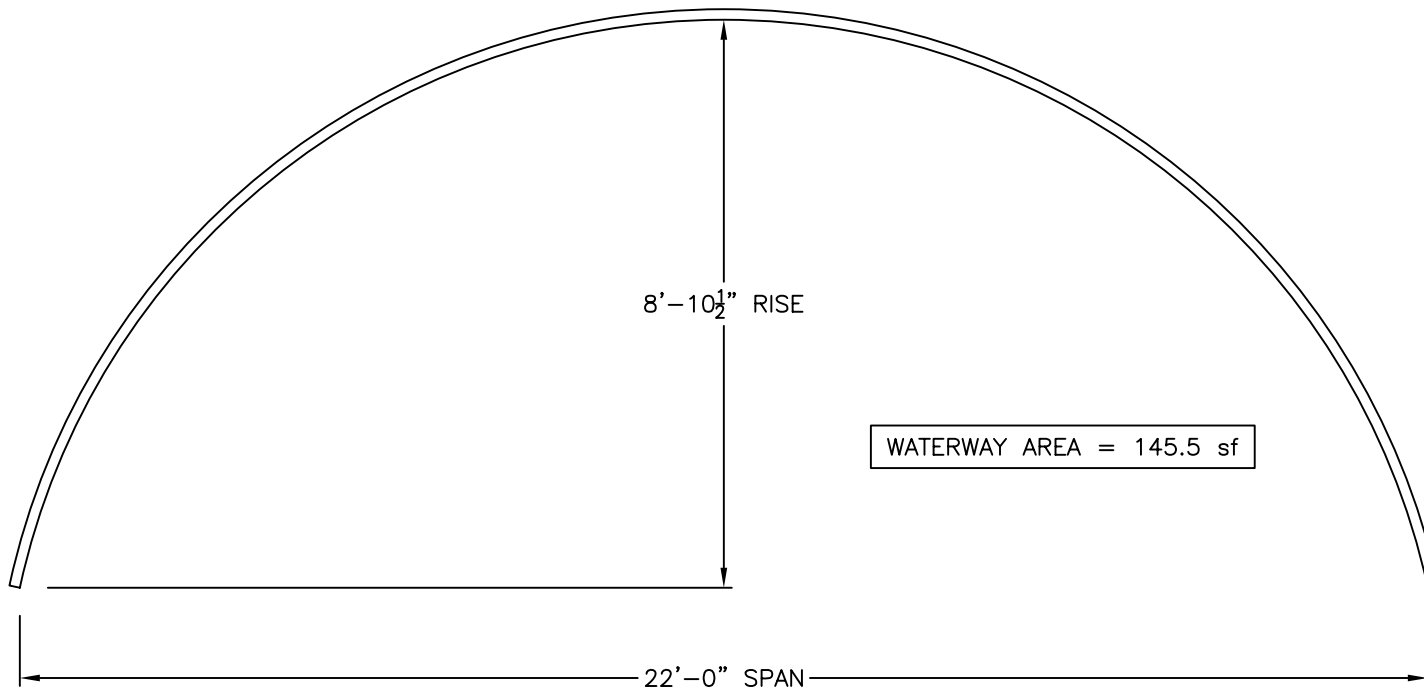
22'-0" x 9'-3 1/2"

Drawing Number: AC-S-22.00-6

Page Number: 1 OF 1

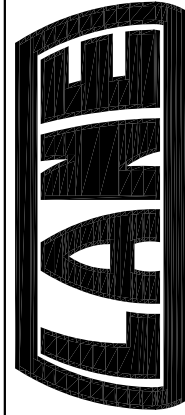
Date Drawn: 6/4/08

Drawn By: JCH



NOTES:

1. DIMENSIONS ARE SHOWN TO THE INSIDE OF THE CORRUGATION CRESTS.
2. DIMENSIONS ARE SUBJECT TO MANUFACTURING TOLERANCES.
3. PLATE LAYOUT WILL BE DETERMINED BY MANUFACTURER.
4. ALL REINFORCING PER MANUFACTURERS REQUIREMENTS.



LANE ENTERPRISES, INC.

STEEL STRUCTURAL PLATE

ARCH CULVERT DETAIL

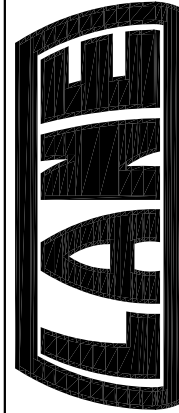
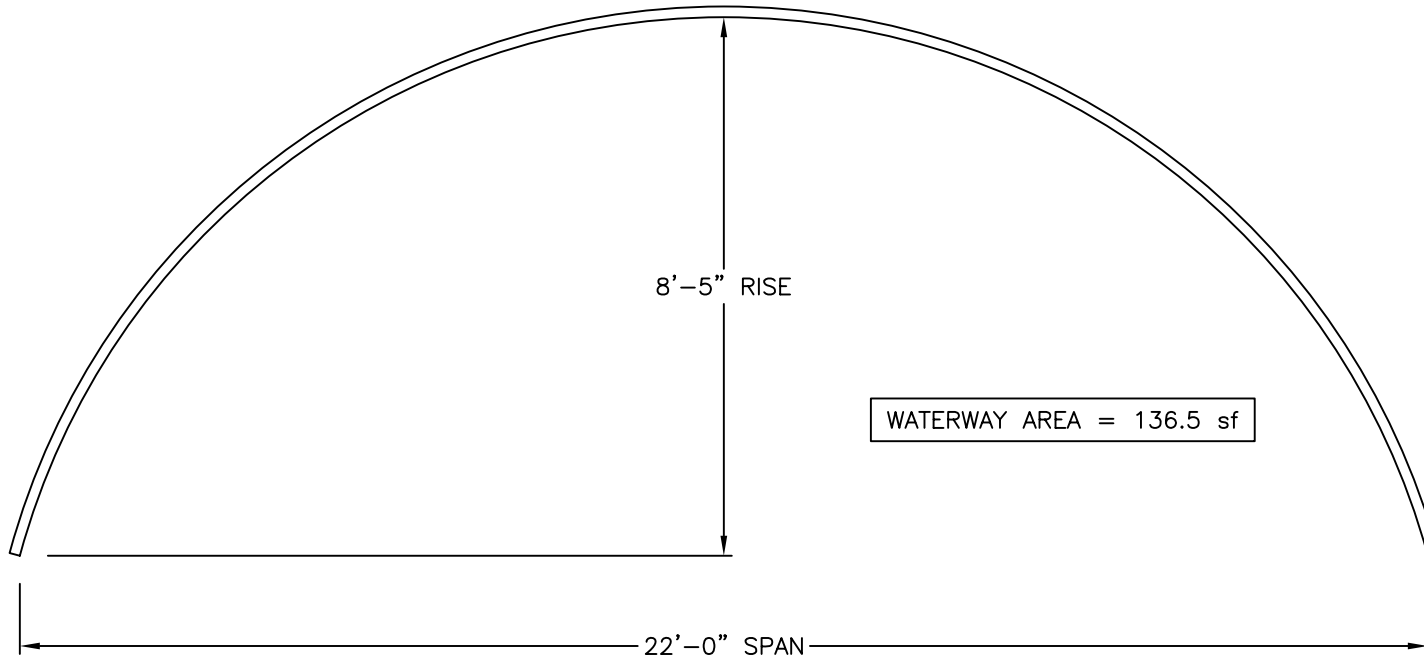
22'-0" x 8'-10 1/2"

Drawing Number: AC-S-22.00-7

Page Number: 1 OF 1

Date Drawn: 6/4/08

Drawn By: JCH



LANE ENTERPRISES, INC.

STEEL STRUCTURAL PLATE

ARCH CULVERT DETAIL

22'-0" x 8'-5"

Drawing Number: AC-S-22.00-8

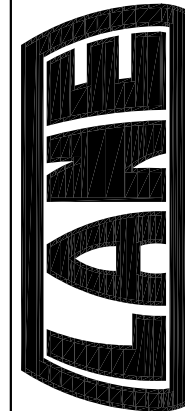
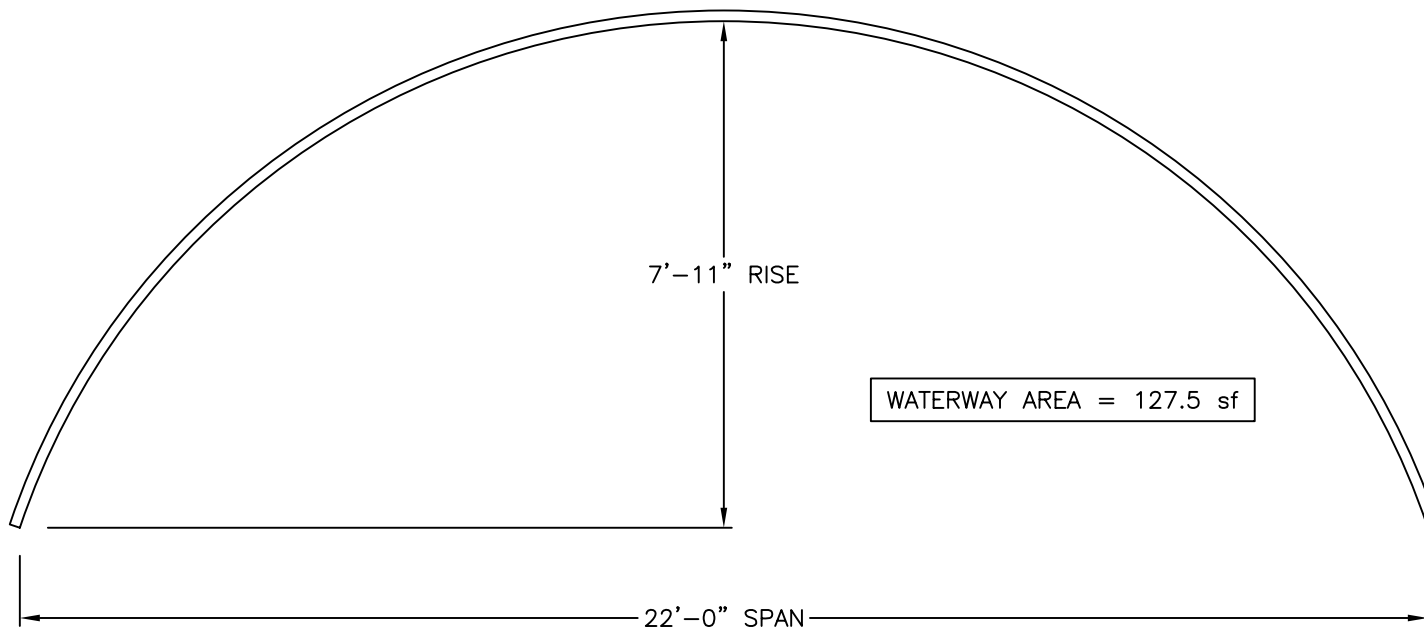
Page Number: 1 OF 1

Date Drawn: 6/4/08

Drawn By: JCH

NOTES:

1. DIMENSIONS ARE SHOWN TO THE INSIDE OF THE CORRUGATION CRESTS.
2. DIMENSIONS ARE SUBJECT TO MANUFACTURING TOLERANCES.
3. PLATE LAYOUT WILL BE DETERMINED BY MANUFACTURER.
4. ALL REINFORCING PER MANUFACTURERS REQUIREMENTS.



LANE ENTERPRISES, INC.

STEEL STRUCTURAL PLATE

ARCH CULVERT DETAIL

22'-0" x 7'-11"

Drawing Number: AC-S-22.00-9

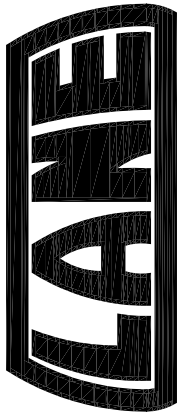
Page Number: 1 OF 1

Date Drawn: 6/4/08

Drawn By: JCH

NOTES:

1. DIMENSIONS ARE SHOWN TO THE INSIDE OF THE CORRUGATION CRESTS.
2. DIMENSIONS ARE SUBJECT TO MANUFACTURING TOLERANCES.
3. PLATE LAYOUT WILL BE DETERMINED BY MANUFACTURER.
4. ALL REINFORCING PER MANUFACTURERS REQUIREMENTS.



LANE ENTERPRISES, INC.

STEEL STRUCTURAL PLATE

ARCH CULVERT DETAIL

23'-0" x 11'-6"

AC-S-23.00-1

1 OF 1

6/4/08

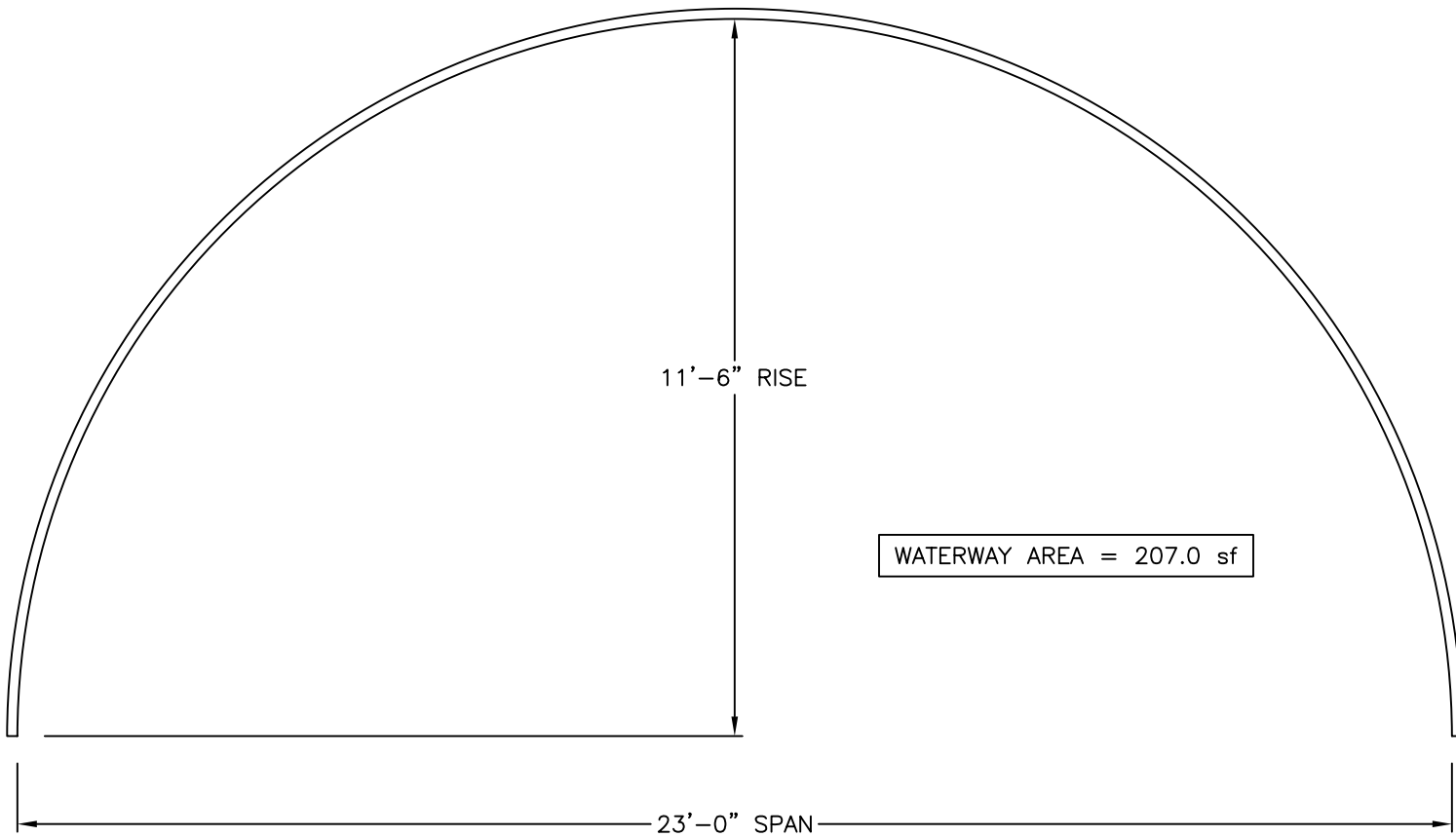
JCH

Drawing Number:

Page Number:

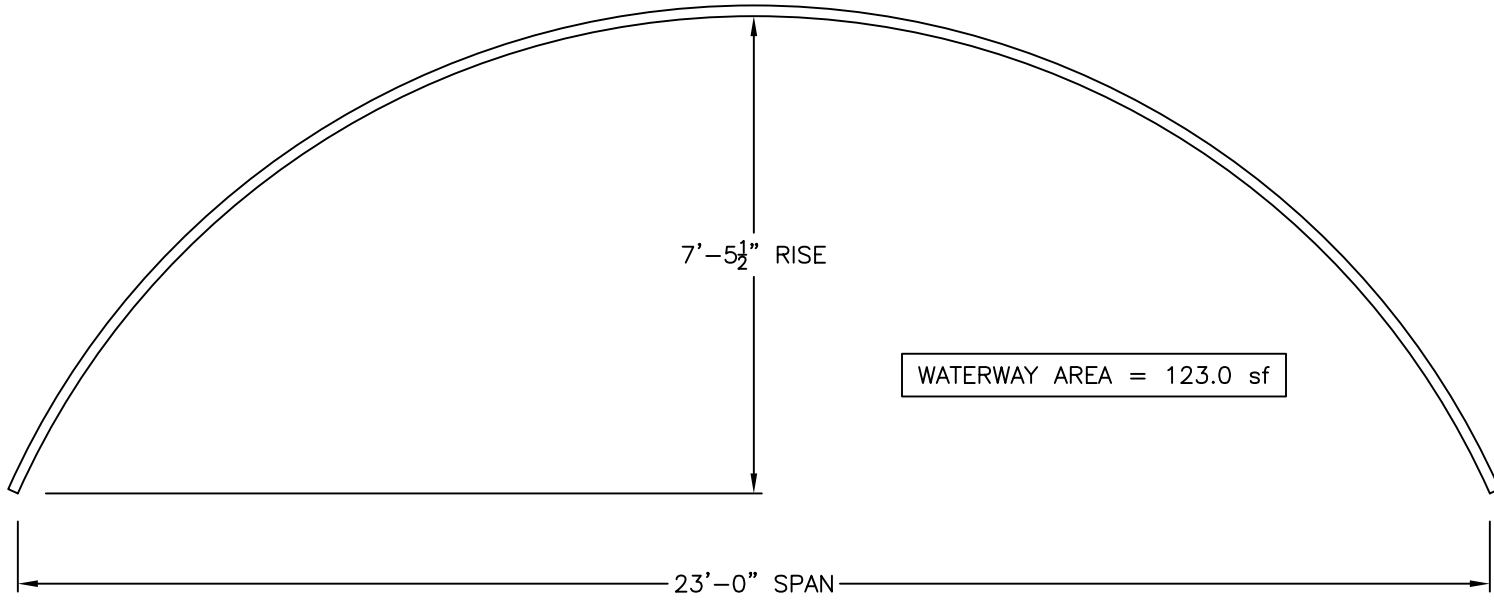
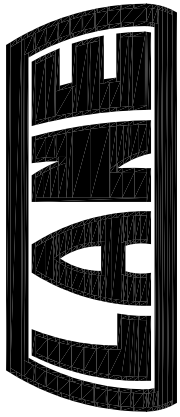
Date Drawn:

Drawn By:



NOTES:

- 1. DIMENSIONS ARE SHOWN TO THE INSIDE OF THE CORRUGATION CRESTS.
- 2. DIMENSIONS ARE SUBJECT TO MANUFACTURING TOLERANCES.
- 3. PLATE LAYOUT WILL BE DETERMINED BY MANUFACTURER.
- 4. ALL REINFORCING PER MANUFACTURERS REQUIREMENTS.



LANE ENTERPRISES, INC.

STEEL STRUCTURAL PLATE
ARCH CULVERT DETAIL
23'-0" x 7'-5 1/2"

Drawing Number: AC-S-23.00-10

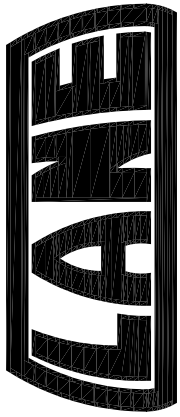
Page Number: 1 OF 1

Date Drawn: 6/4/08

Drawn By: JCH

NOTES:

1. DIMENSIONS ARE SHOWN TO THE INSIDE OF THE CORRUGATION CRESTS.
2. DIMENSIONS ARE SUBJECT TO MANUFACTURING TOLERANCES.
3. PLATE LAYOUT WILL BE DETERMINED BY MANUFACTURER.
4. ALL REINFORCING PER MANUFACTURERS REQUIREMENTS.



LANE ENTERPRISES, INC.

STEEL STRUCTURAL PLATE

ARCH CULVERT DETAIL

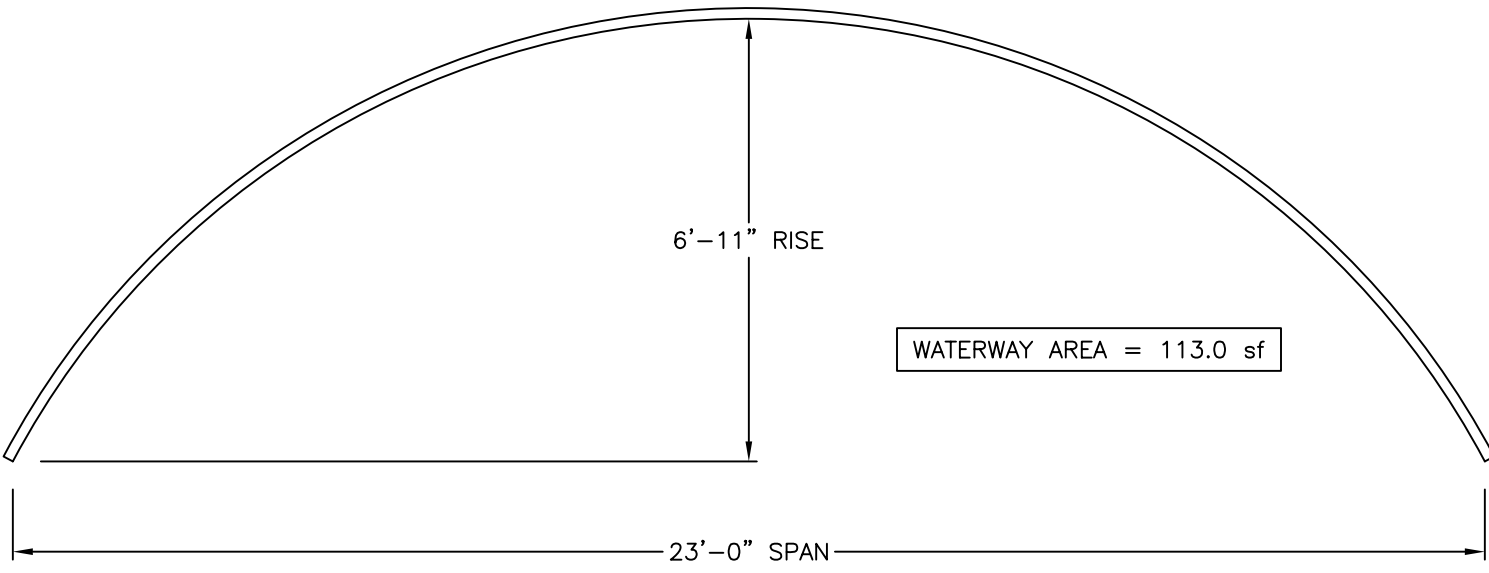
23'-0" x 6'-11"

Drawing Number: AC-S-23.00-11

Page Number: 1 OF 1

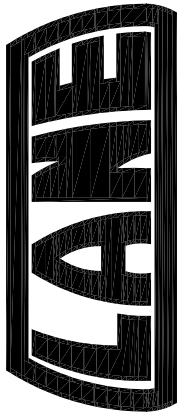
Date Drawn: 6/4/08

Drawn By: JCH



NOTES:

- 1. DIMENSIONS ARE SHOWN TO THE INSIDE OF THE CORRUGATION CRESTS.
- 2. DIMENSIONS ARE SUBJECT TO MANUFACTURING TOLERANCES.
- 3. PLATE LAYOUT WILL BE DETERMINED BY MANUFACTURER.
- 4. ALL REINFORCING PER MANUFACTURERS REQUIREMENTS.



LANE ENTERPRISES, INC.

STEEL STRUCTURAL PLATE

ARCH CULVERT DETAIL

23'-0" x 11'-1"

AC-S-23.00-2

1 OF 1

6/4/08

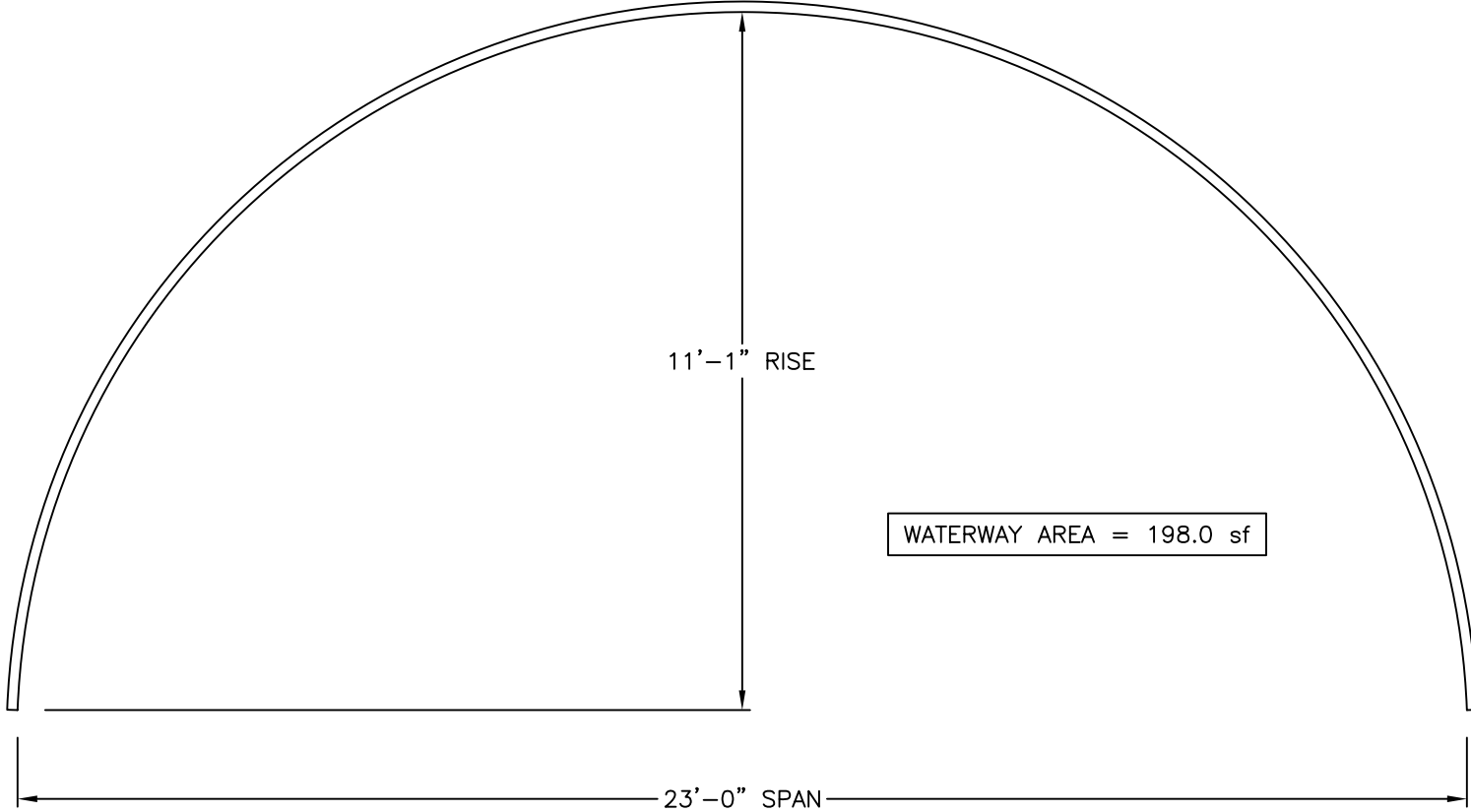
JCH

Drawing Number:

Page Number:

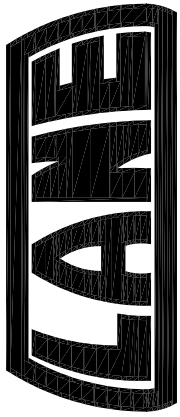
Date Drawn:

Drawn By:



NOTES:

- 1. DIMENSIONS ARE SHOWN TO THE INSIDE OF THE CORRUGATION CRESTS.
- 2. DIMENSIONS ARE SUBJECT TO MANUFACTURING TOLERANCES.
- 3. PLATE LAYOUT WILL BE DETERMINED BY MANUFACTURER.
- 4. ALL REINFORCING PER MANUFACTURERS REQUIREMENTS.



LANE ENTERPRISES, INC.

STEEL STRUCTURAL PLATE

ARCH CULVERT DETAIL

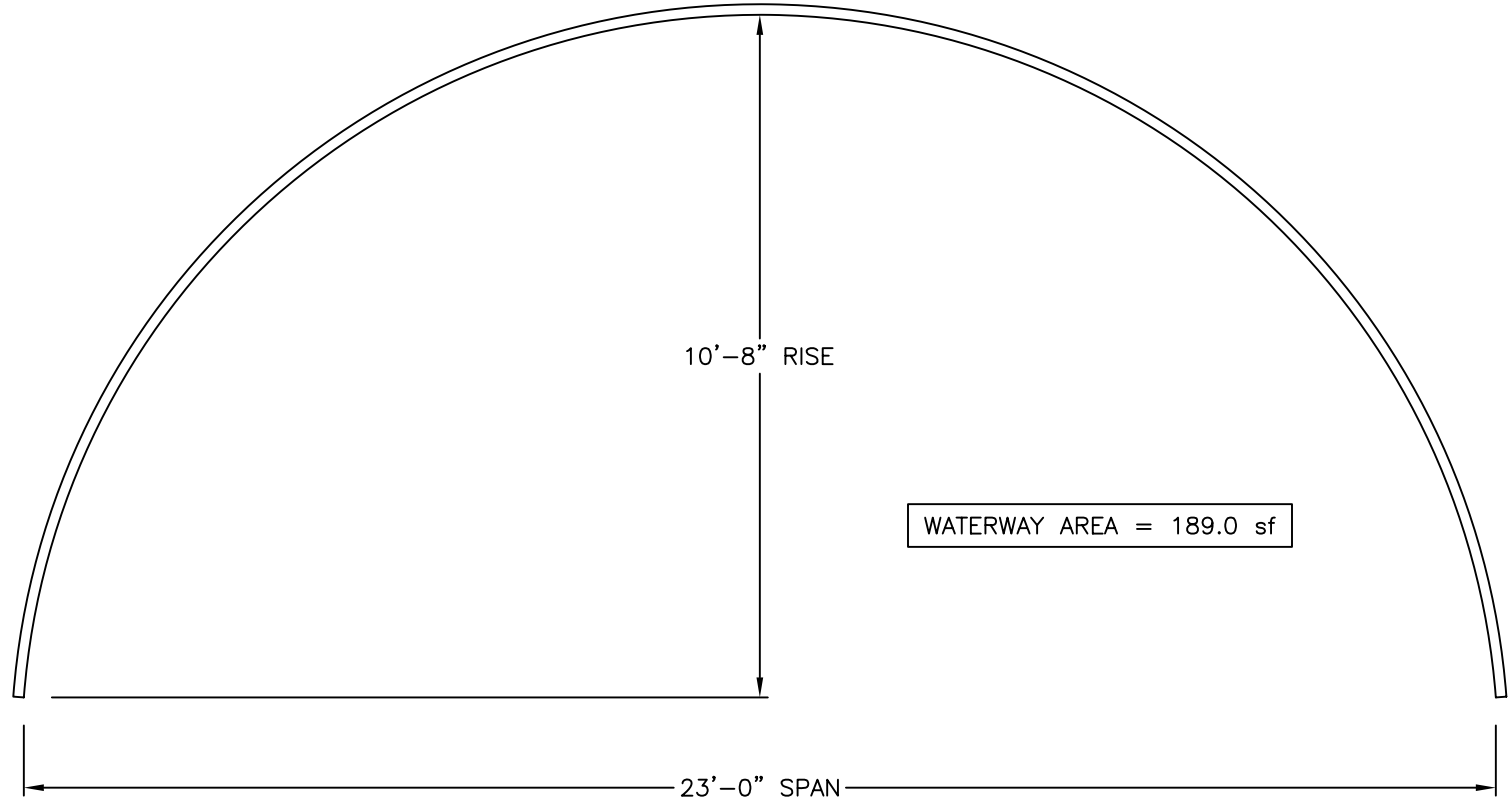
23'-0" x 10'-8"

Drawing Number: AC-S-23.00-3

Page Number: 1 OF 1

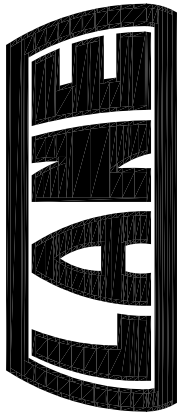
Date Drawn: 6/4/08

Drawn By: JCH



NOTES:

- 1. DIMENSIONS ARE SHOWN TO THE INSIDE OF THE CORRUGATION CRESTS.
- 2. DIMENSIONS ARE SUBJECT TO MANUFACTURING TOLERANCES.
- 3. PLATE LAYOUT WILL BE DETERMINED BY MANUFACTURER.
- 4. ALL REINFORCING PER MANUFACTURERS REQUIREMENTS.



LANE ENTERPRISES, INC.

STEEL STRUCTURAL PLATE

ARCH CULVERT DETAIL

23'-0" x 10'-3"

Drawing Number: AC-S-23.00-4

Page Number: 1 OF 1

Date Drawn: 6/4/08

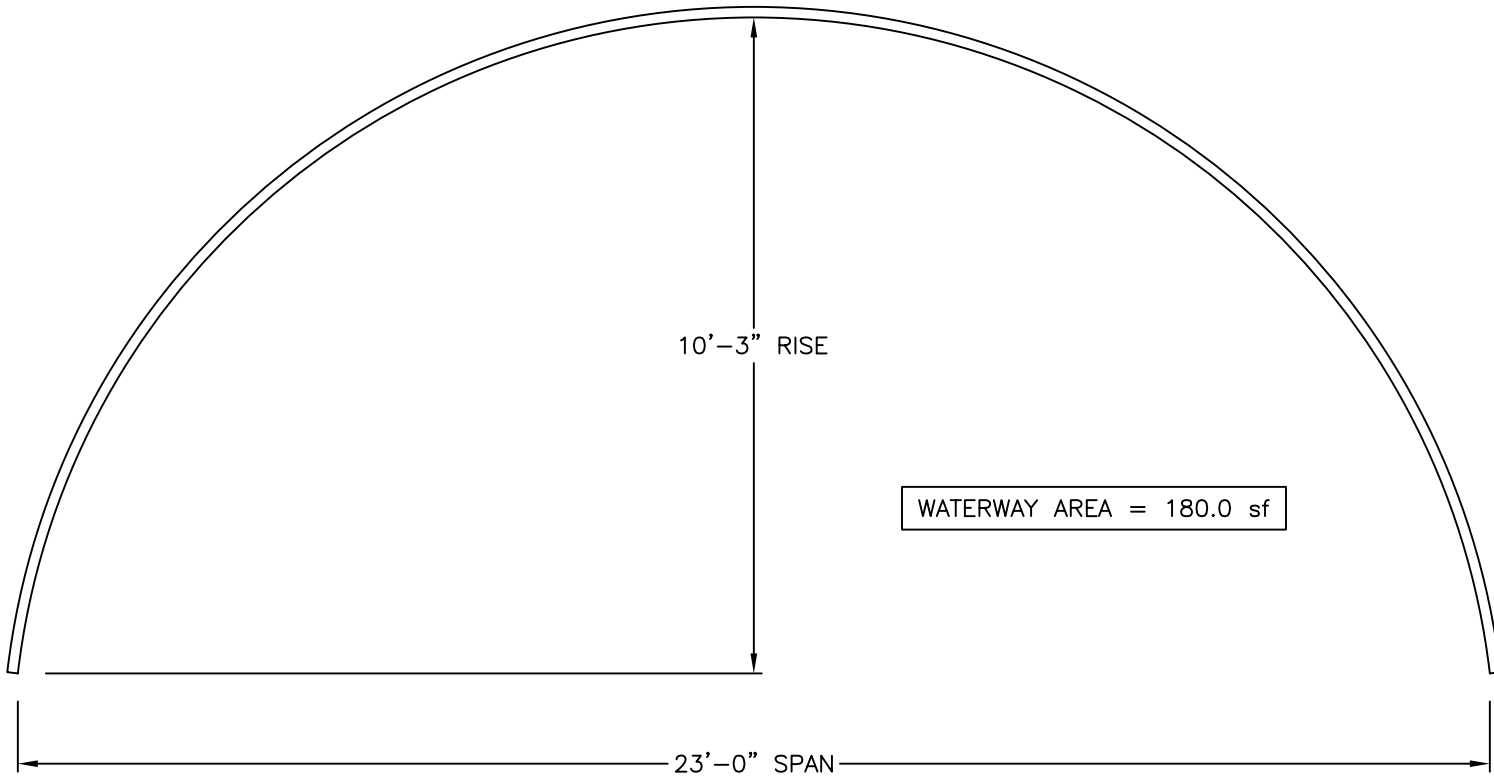
Drawn By: JCH

Drawing Number: AC-S-23.00-4

Page Number: 1 OF 1

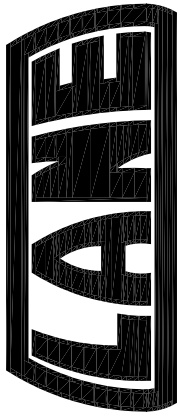
Date Drawn: 6/4/08

Drawn By: JCH



NOTES:

- 1. DIMENSIONS ARE SHOWN TO THE INSIDE OF THE CORRUGATION CRESTS.
- 2. DIMENSIONS ARE SUBJECT TO MANUFACTURING TOLERANCES.
- 3. PLATE LAYOUT WILL BE DETERMINED BY MANUFACTURER.
- 4. ALL REINFORCING PER MANUFACTURERS REQUIREMENTS.



LANE ENTERPRISES, INC.

STEEL STRUCTURAL PLATE

ARCH CULVERT DETAIL

23'-0" x 9'-10"

Drawing Number: AC-S-23.00-5

Page Number: 1 OF 1

Date Drawn: 6/4/08

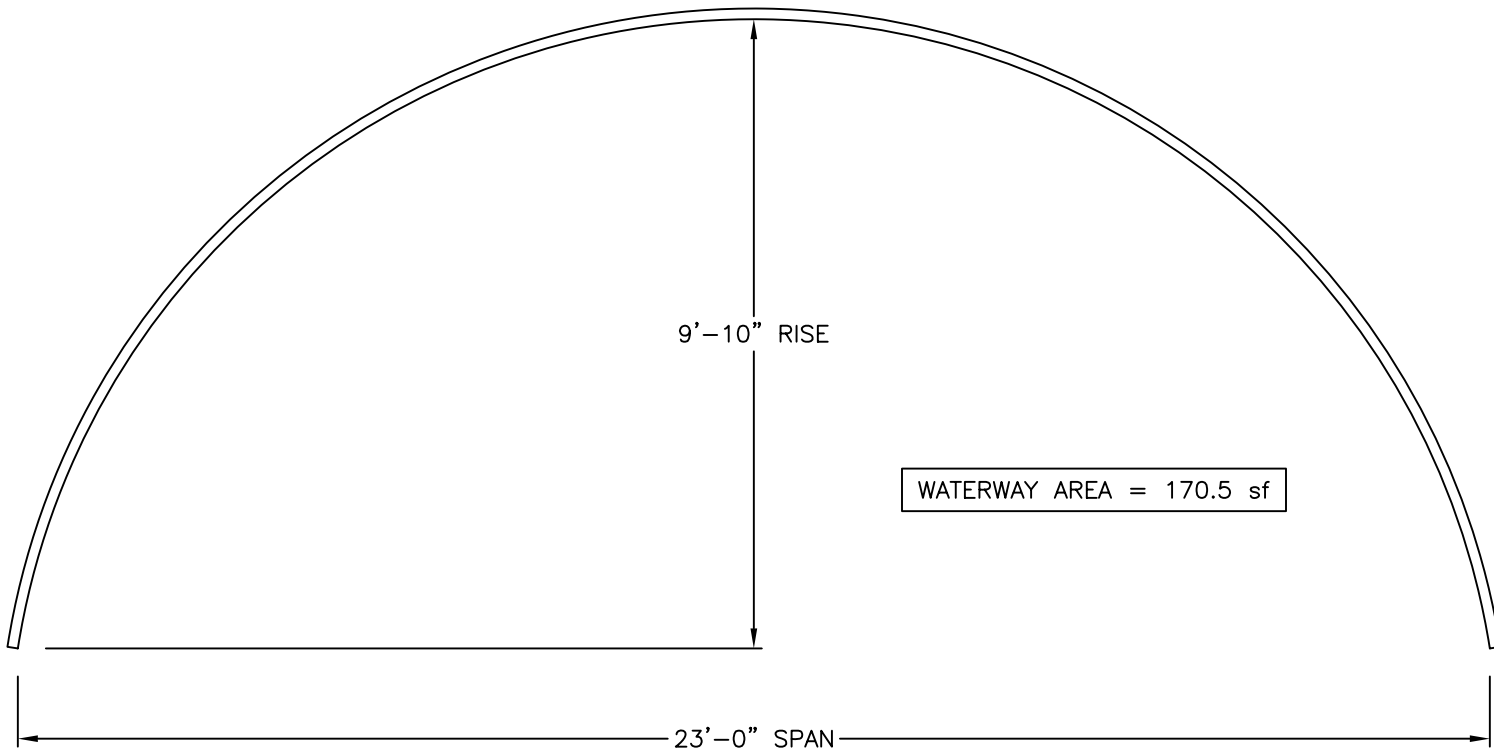
Drawn By: JCH

Drawing Number: AC-S-23.00-5

Page Number: 1 OF 1

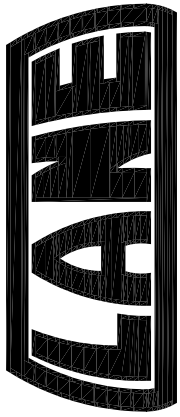
Date Drawn: 6/4/08

Drawn By: JCH



NOTES:

- 1. DIMENSIONS ARE SHOWN TO THE INSIDE OF THE CORRUGATION CRESTS.
- 2. DIMENSIONS ARE SUBJECT TO MANUFACTURING TOLERANCES.
- 3. PLATE LAYOUT WILL BE DETERMINED BY MANUFACTURER.
- 4. ALL REINFORCING PER MANUFACTURERS REQUIREMENTS.



LANE ENTERPRISES, INC.

STEEL STRUCTURAL PLATE

ARCH CULVERT DETAIL

23'-0" x 9'-4 1/2"

Drawing Number: AC-S-23.00-6

Page Number: 1 OF 1

Date Drawn: 6/4/08

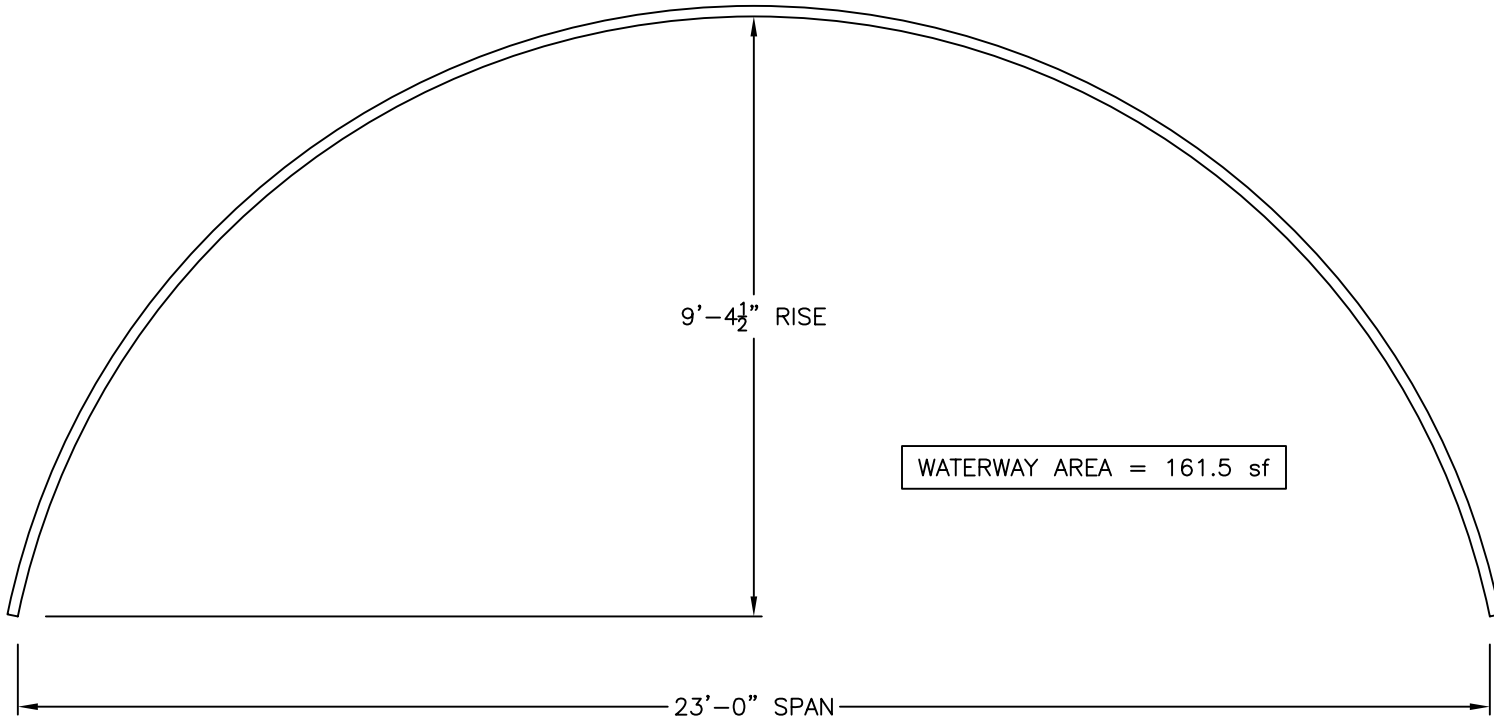
Drawn By: JCH

Drawing Number: AC-S-23.00-6

Page Number: 1 OF 1

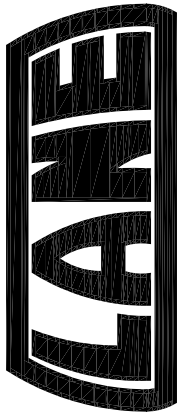
Date Drawn: 6/4/08

Drawn By: JCH



NOTES:

- 1. DIMENSIONS ARE SHOWN TO THE INSIDE OF THE CORRUGATION CRESTS.
- 2. DIMENSIONS ARE SUBJECT TO MANUFACTURING TOLERANCES.
- 3. PLATE LAYOUT WILL BE DETERMINED BY MANUFACTURER.
- 4. ALL REINFORCING PER MANUFACTURERS REQUIREMENTS.



LANE ENTERPRISES, INC.

STEEL STRUCTURAL PLATE

ARCH CULVERT DETAIL

23'-0" x 8'-11"

Drawing Number: AC-S-23.00-7

Page Number: 1 OF 1

Date Drawn: 6/4/08

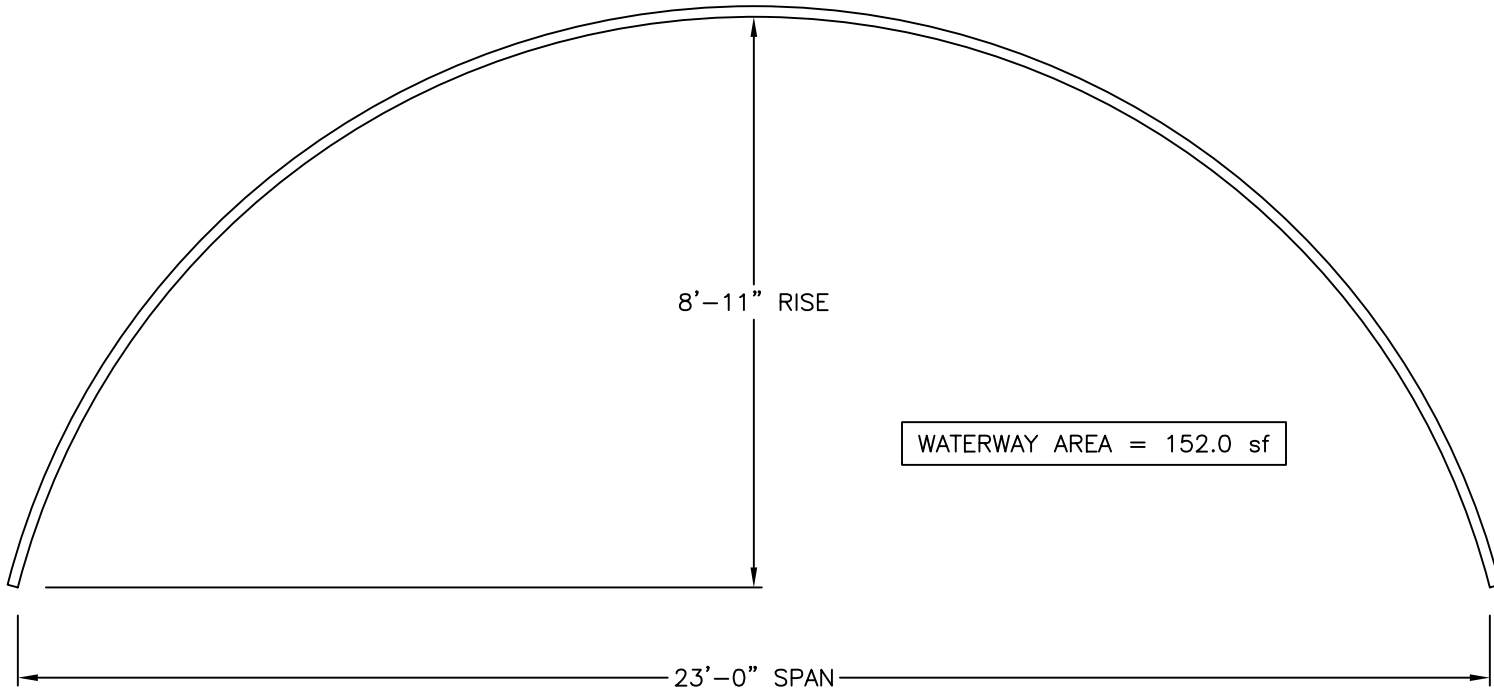
Drawn By: JCH

Drawing Number: AC-S-23.00-7

Page Number: 1 OF 1

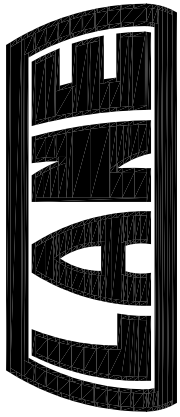
Date Drawn: 6/4/08

Drawn By: JCH



NOTES:

- 1. DIMENSIONS ARE SHOWN TO THE INSIDE OF THE CORRUGATION CRESTS.
- 2. DIMENSIONS ARE SUBJECT TO MANUFACTURING TOLERANCES.
- 3. PLATE LAYOUT WILL BE DETERMINED BY MANUFACTURER.
- 4. ALL REINFORCING PER MANUFACTURERS REQUIREMENTS.



LANE ENTERPRISES, INC.

STEEL STRUCTURAL PLATE

ARCH CULVERT DETAIL

23'-0" x 8'-5 1/2"

Drawing Number: AC-S-23.00-8

Page Number: 1 OF 1

Date Drawn: 6/4/08

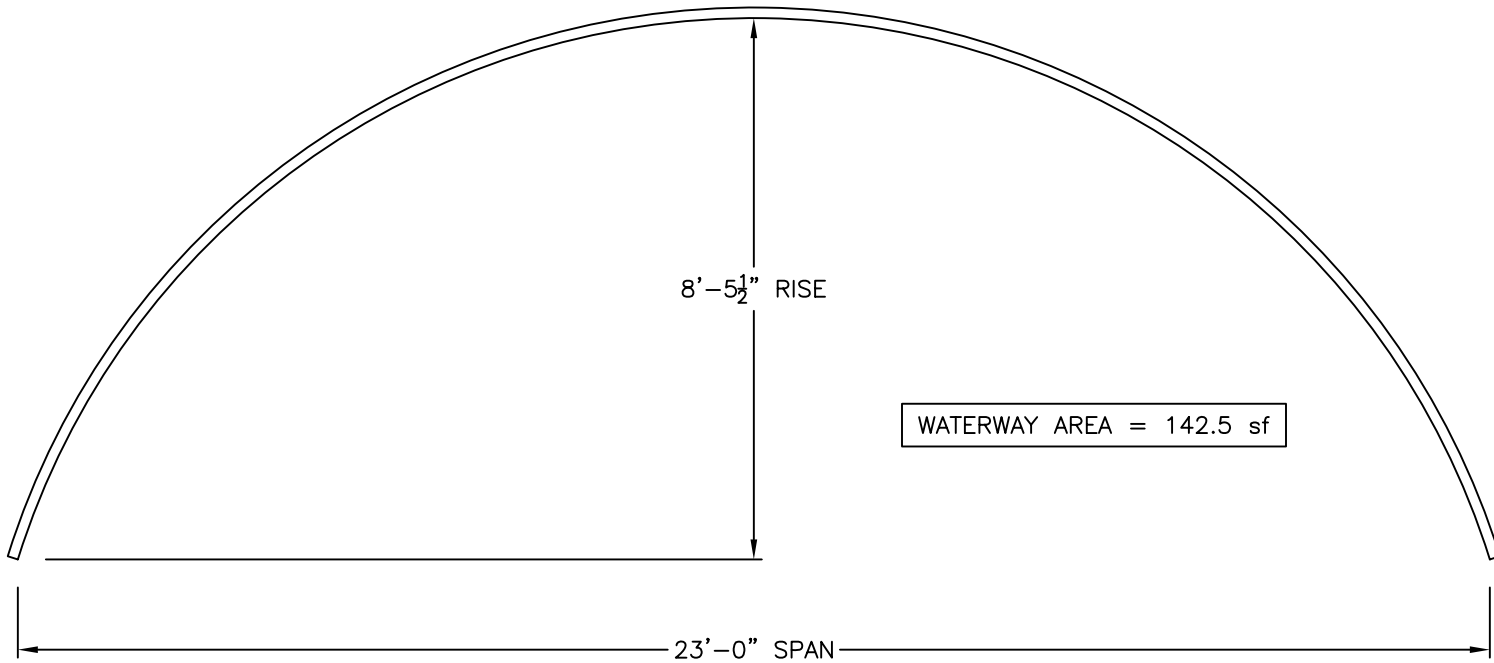
Drawn By: JCH

Drawing Number: AC-S-23.00-8

Page Number: 1 OF 1

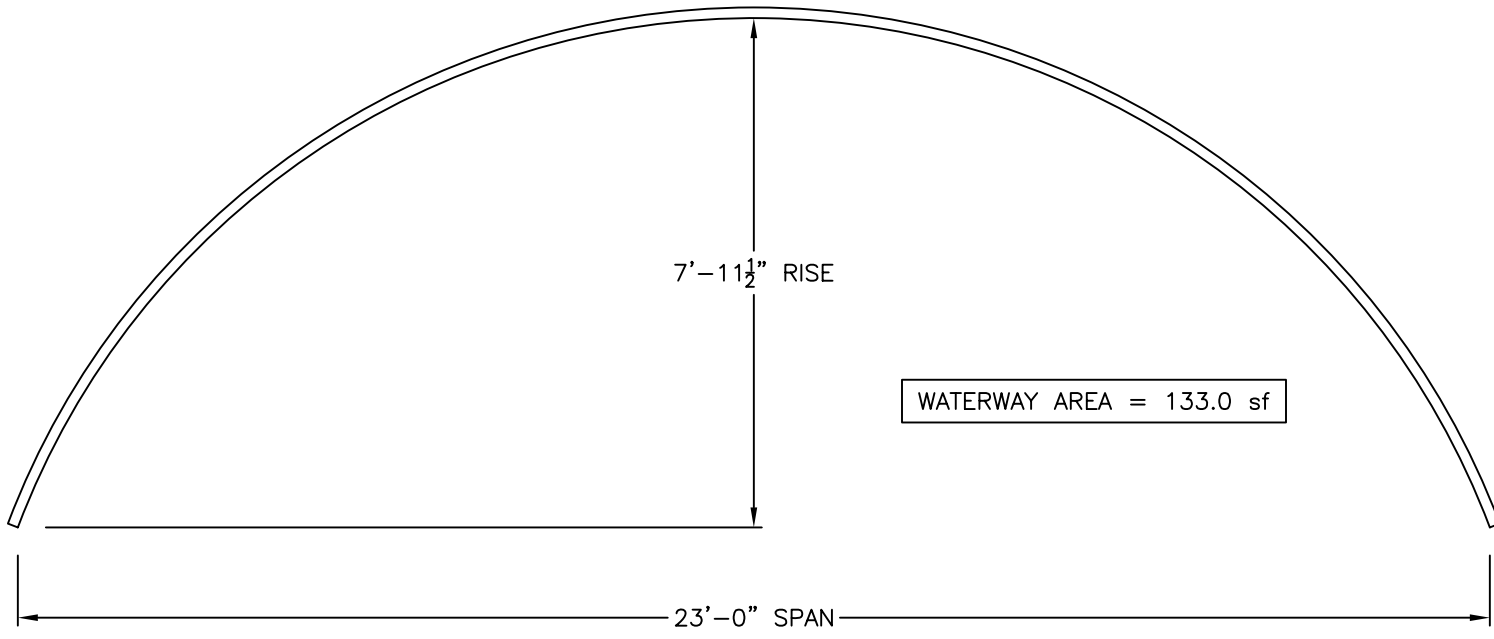
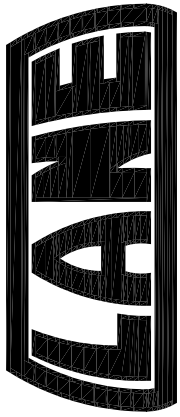
Date Drawn: 6/4/08

Drawn By: JCH



NOTES:

- 1. DIMENSIONS ARE SHOWN TO THE INSIDE OF THE CORRUGATION CRESTS.
- 2. DIMENSIONS ARE SUBJECT TO MANUFACTURING TOLERANCES.
- 3. PLATE LAYOUT WILL BE DETERMINED BY MANUFACTURER.
- 4. ALL REINFORCING PER MANUFACTURERS REQUIREMENTS.



LANE ENTERPRISES, INC.

STEEL STRUCTURAL PLATE

ARCH CULVERT DETAIL

23'-0" x 7'-11 1/2"

Drawing Number: AC-S-23.00-9

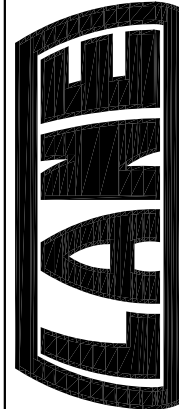
Page Number: 1 OF 1

Date Drawn: 6/4/08

Drawn By: JCH

NOTES:

1. DIMENSIONS ARE SHOWN TO THE INSIDE OF THE CORRUGATION CRESTS.
2. DIMENSIONS ARE SUBJECT TO MANUFACTURING TOLERANCES.
3. PLATE LAYOUT WILL BE DETERMINED BY MANUFACTURER.
4. ALL REINFORCING PER MANUFACTURERS REQUIREMENTS.



LANE ENTERPRISES, INC.

STEEL STRUCTURAL PLATE

ARCH CULVERT DETAIL

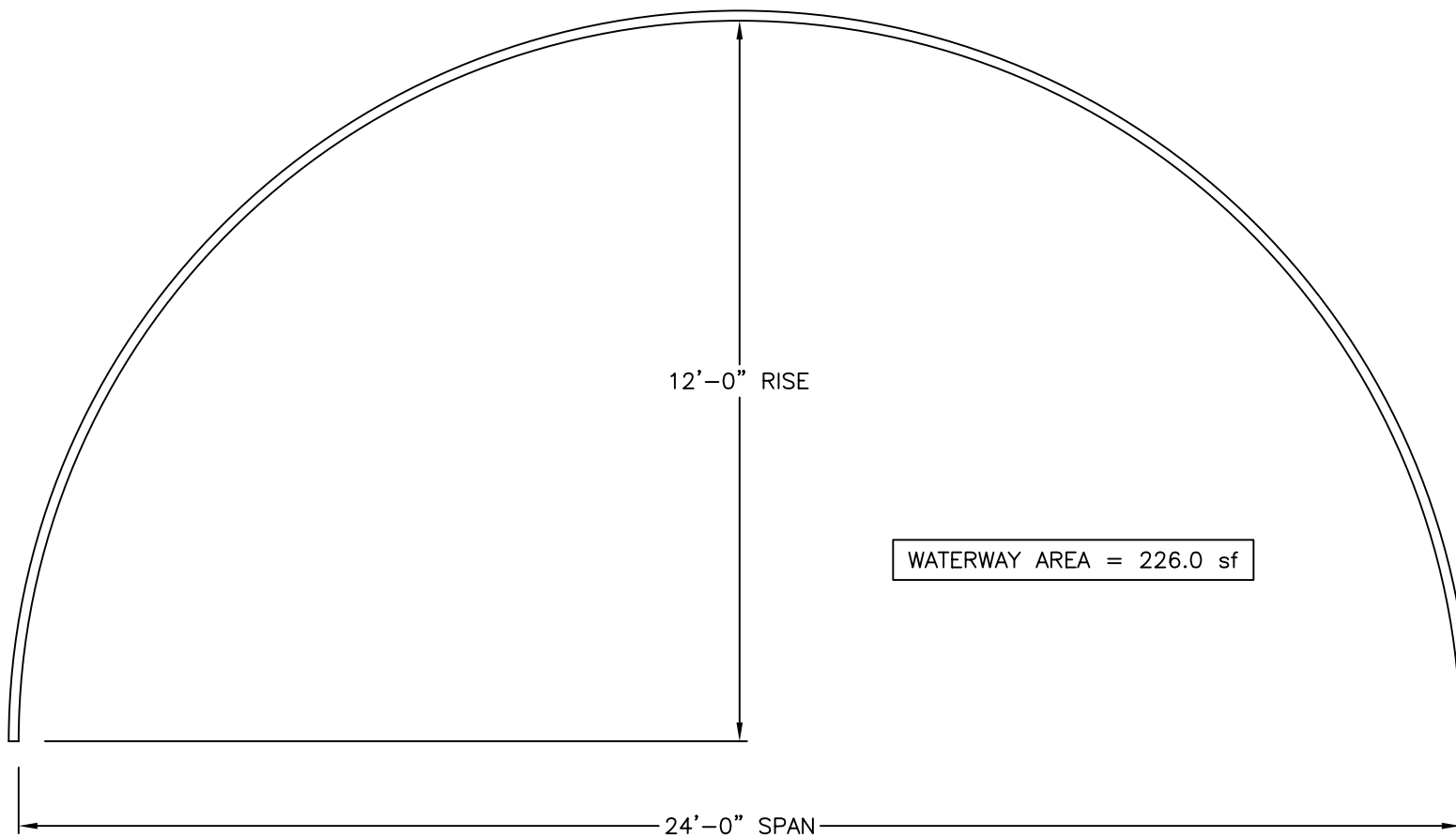
24'-0" x 12'-0"

Drawing Number: AC-S-24.00-1

Page Number: 1 OF 1

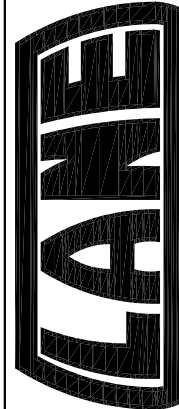
Date Drawn: 6/4/08

Drawn By: JCH



NOTES:

1. DIMENSIONS ARE SHOWN TO THE INSIDE OF THE CORRUGATION CRESTS.
2. DIMENSIONS ARE SUBJECT TO MANUFACTURING TOLERANCES.
3. PLATE LAYOUT WILL BE DETERMINED BY MANUFACTURER.
4. ALL REINFORCING PER MANUFACTURERS REQUIREMENTS.



LANE ENTERPRISES, INC.

STEEL STRUCTURAL PLATE

ARCH CULVERT DETAIL

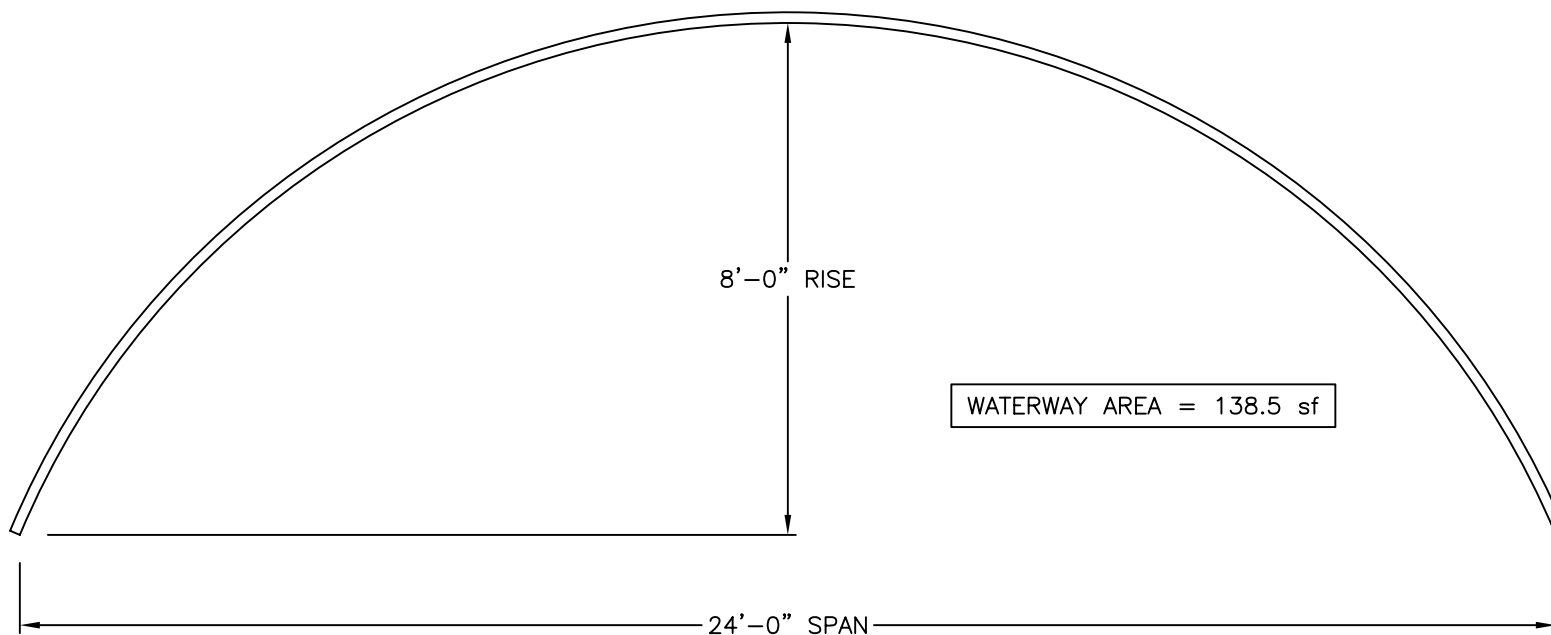
24'-0" x 8'-0"

Drawing Number: AC-S-24.00-10

Page Number: 1 OF 1

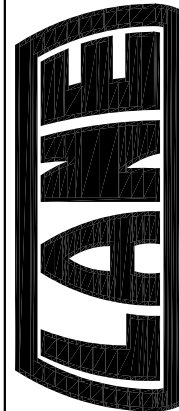
Date Drawn: 6/4/08

Drawn By: JCH



NOTES:

1. DIMENSIONS ARE SHOWN TO THE INSIDE OF THE CORRUGATION CRESTS.
2. DIMENSIONS ARE SUBJECT TO MANUFACTURING TOLERANCES.
3. PLATE LAYOUT WILL BE DETERMINED BY MANUFACTURER.
4. ALL REINFORCING PER MANUFACTURERS REQUIREMENTS.



LANE ENTERPRISES, INC.

STEEL STRUCTURAL PLATE

ARCH CULVERT DETAIL

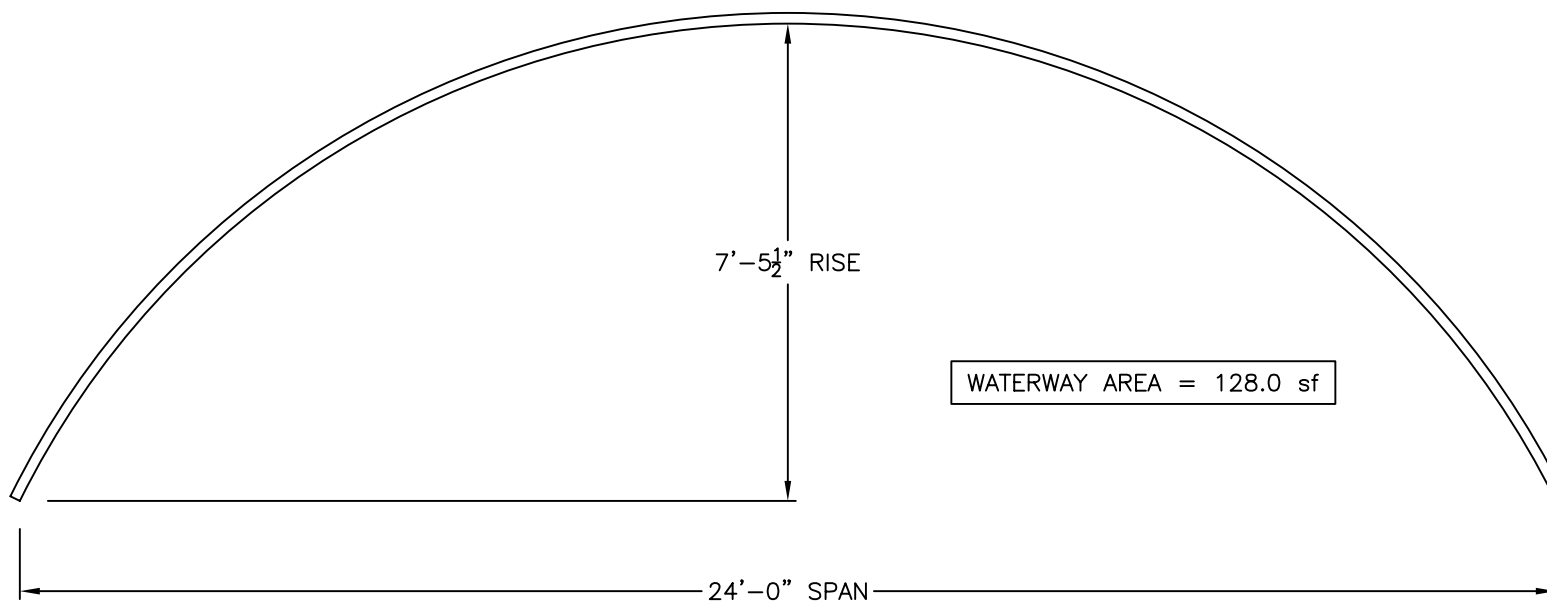
24'-0" x 7'-5 1/2"

Drawing Number: AC-S-24.00-11

Page Number: 1 OF 1

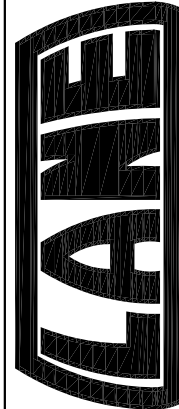
Date Drawn: 6/4/08

Drawn By: JCH



NOTES:

1. DIMENSIONS ARE SHOWN TO THE INSIDE OF THE CORRUGATION CRESTS.
2. DIMENSIONS ARE SUBJECT TO MANUFACTURING TOLERANCES.
3. PLATE LAYOUT WILL BE DETERMINED BY MANUFACTURER.
4. ALL REINFORCING PER MANUFACTURERS REQUIREMENTS.



LANE ENTERPRISES, INC.

STEEL STRUCTURAL PLATE

ARCH CULVERT DETAIL

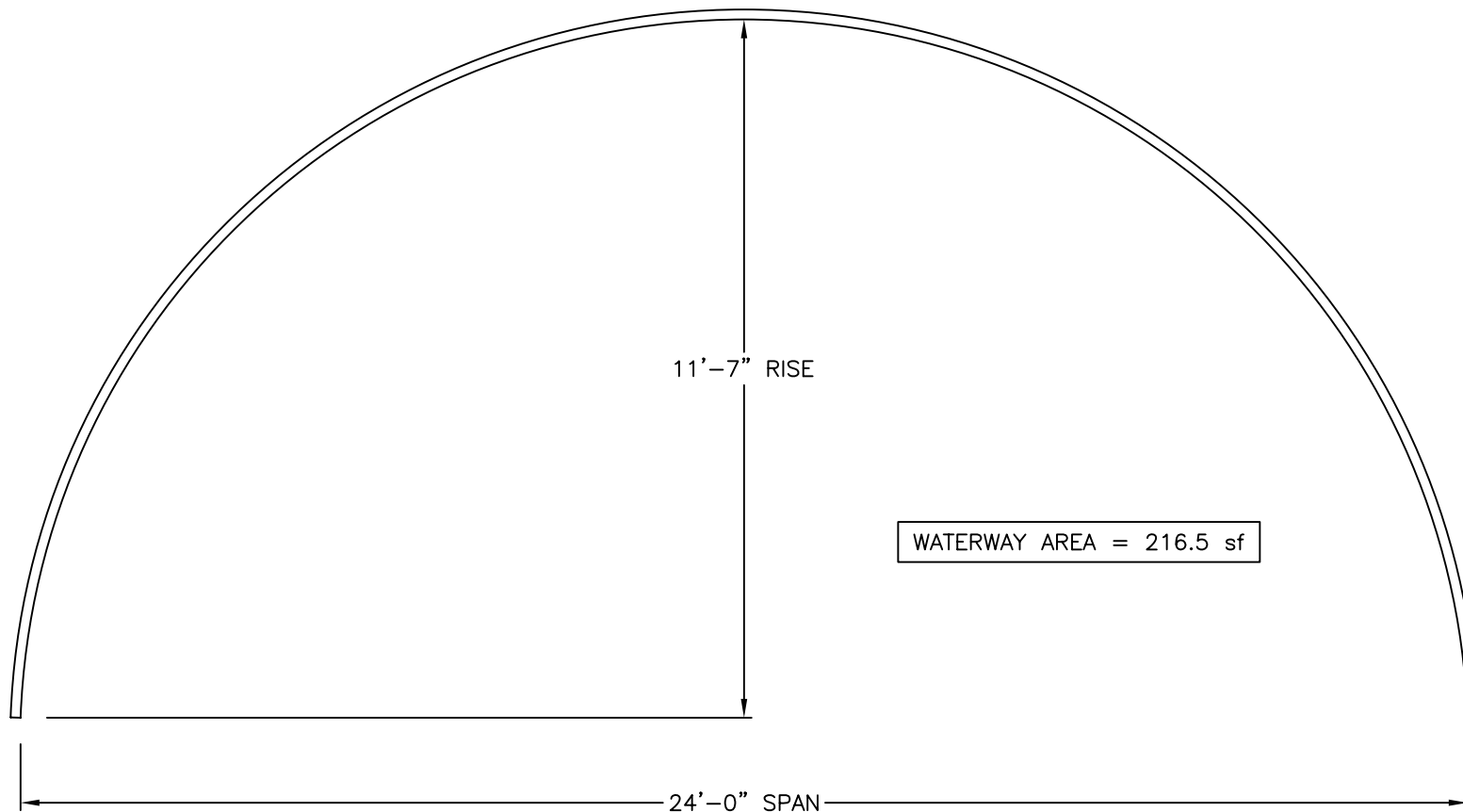
24'-0" x 11'-7"

Drawing Number: AC-S-24.00-2

Page Number: 1 OF 1

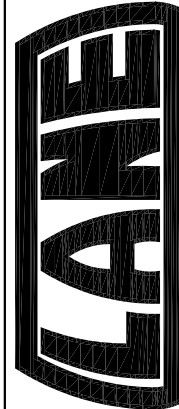
Date Drawn: 6/4/08

Drawn By: JCH



NOTES:

1. DIMENSIONS ARE SHOWN TO THE INSIDE OF THE CORRUGATION CRESTS.
2. DIMENSIONS ARE SUBJECT TO MANUFACTURING TOLERANCES.
3. PLATE LAYOUT WILL BE DETERMINED BY MANUFACTURER.
4. ALL REINFORCING PER MANUFACTURERS REQUIREMENTS.



LANE ENTERPRISES, INC.

STEEL STRUCTURAL PLATE

ARCH CULVERT DETAIL

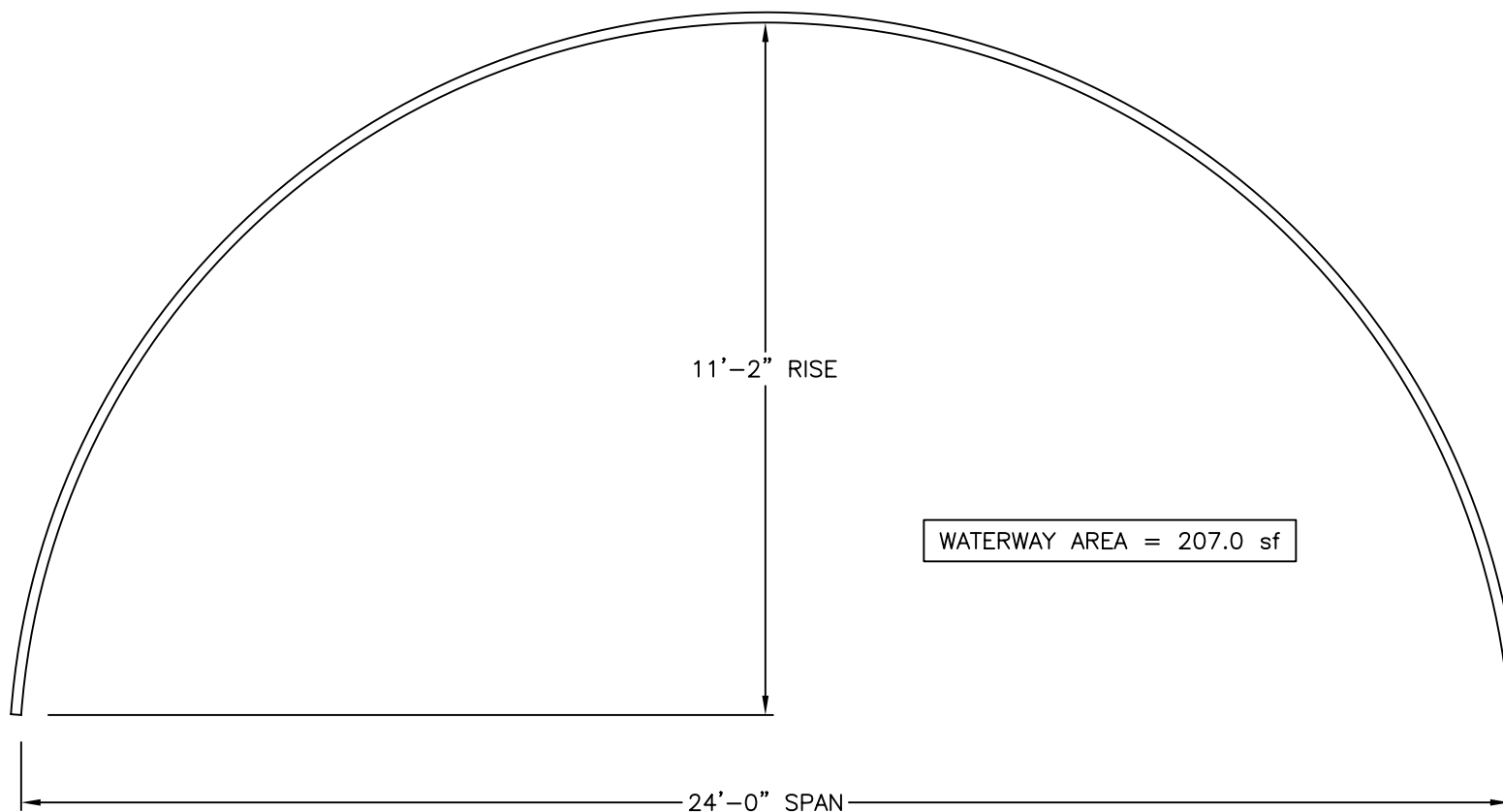
24'-0" x 11'-2"

Drawing Number: AC-S-24.00-3

Page Number: 1 OF 1

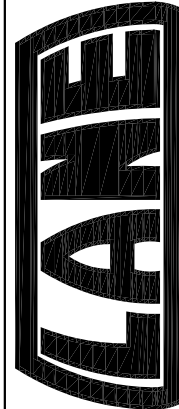
Date Drawn: 6/4/08

Drawn By: JCH



NOTES:

1. DIMENSIONS ARE SHOWN TO THE INSIDE OF THE CORRUGATION CRESTS.
2. DIMENSIONS ARE SUBJECT TO MANUFACTURING TOLERANCES.
3. PLATE LAYOUT WILL BE DETERMINED BY MANUFACTURER.
4. ALL REINFORCING PER MANUFACTURERS REQUIREMENTS.



LANE ENTERPRISES, INC.

STEEL STRUCTURAL PLATE

ARCH CULVERT DETAIL

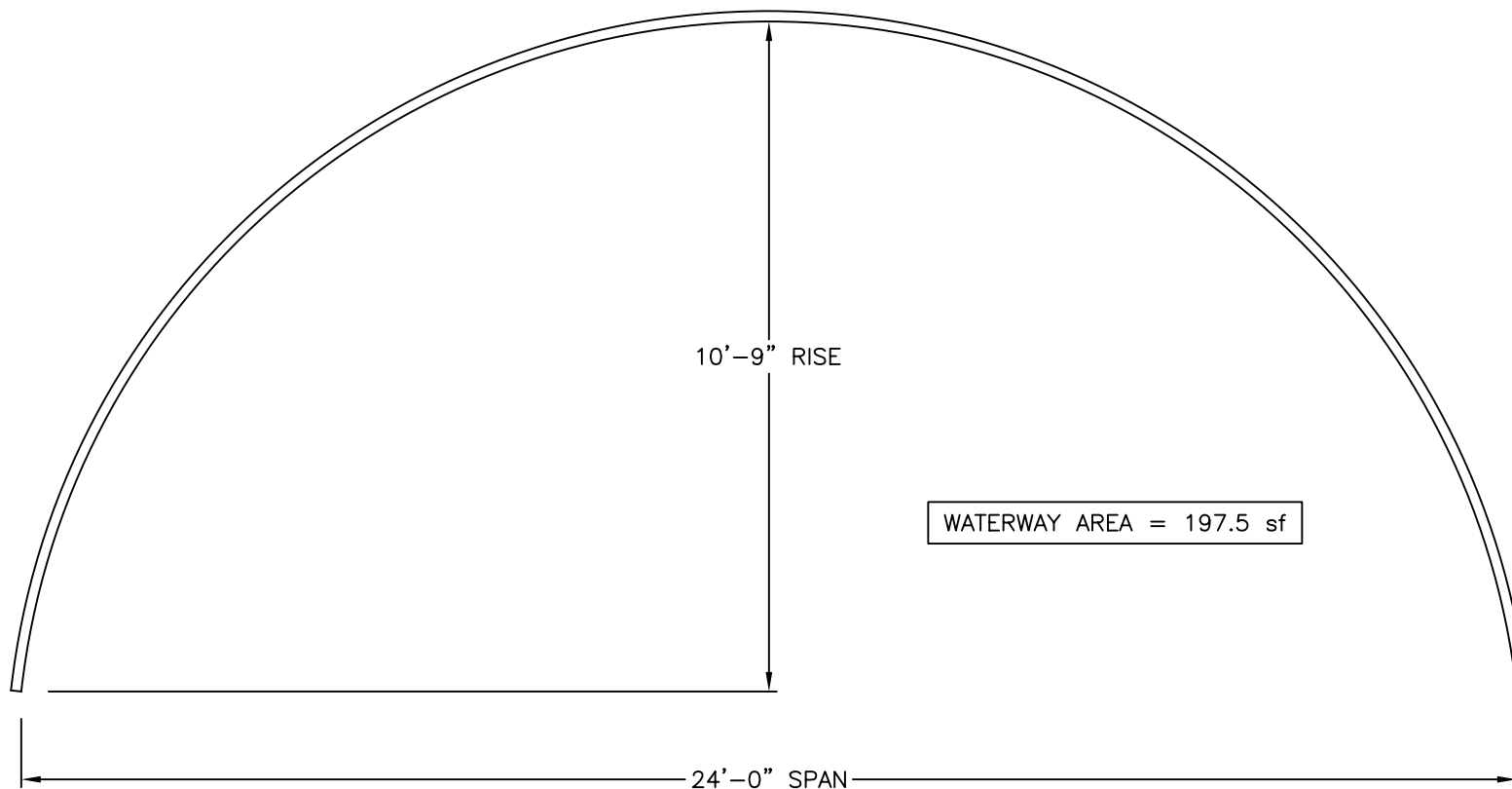
24'-0" x 10'-9"

Drawing Number: AC-S-24.00-4

Page Number: 1 OF 1

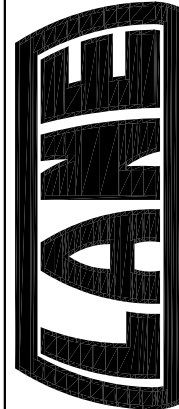
Date Drawn: 6/4/08

Drawn By: JCH



NOTES:

1. DIMENSIONS ARE SHOWN TO THE INSIDE OF THE CORRUGATION CRESTS.
2. DIMENSIONS ARE SUBJECT TO MANUFACTURING TOLERANCES.
3. PLATE LAYOUT WILL BE DETERMINED BY MANUFACTURER.
4. ALL REINFORCING PER MANUFACTURERS REQUIREMENTS.



LANE ENTERPRISES, INC.

STEEL STRUCTURAL PLATE

ARCH CULVERT DETAIL

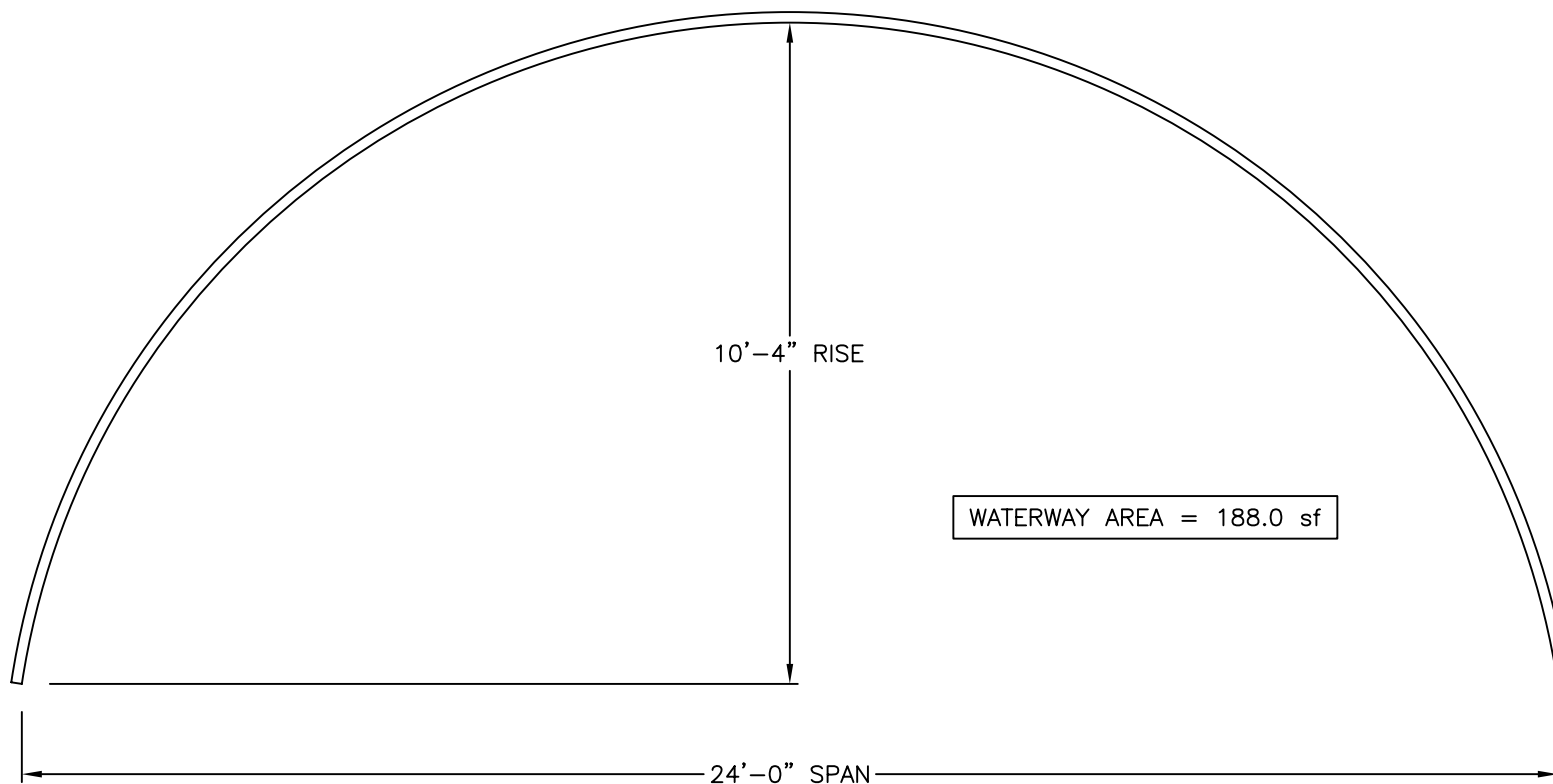
24'-0" x 10'-4"

Drawing Number: AC-S-24.00-5

Page Number: 1 OF 1

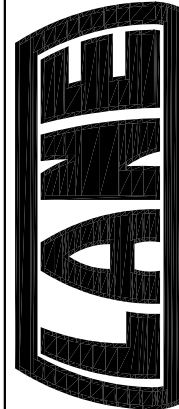
Date Drawn: 6/4/08

Drawn By: JCH



NOTES:

1. DIMENSIONS ARE SHOWN TO THE INSIDE OF THE CORRUGATION CRESTS.
2. DIMENSIONS ARE SUBJECT TO MANUFACTURING TOLERANCES.
3. PLATE LAYOUT WILL BE DETERMINED BY MANUFACTURER.
4. ALL REINFORCING PER MANUFACTURERS REQUIREMENTS.



LANE ENTERPRISES, INC.

STEEL STRUCTURAL PLATE

ARCH CULVERT DETAIL

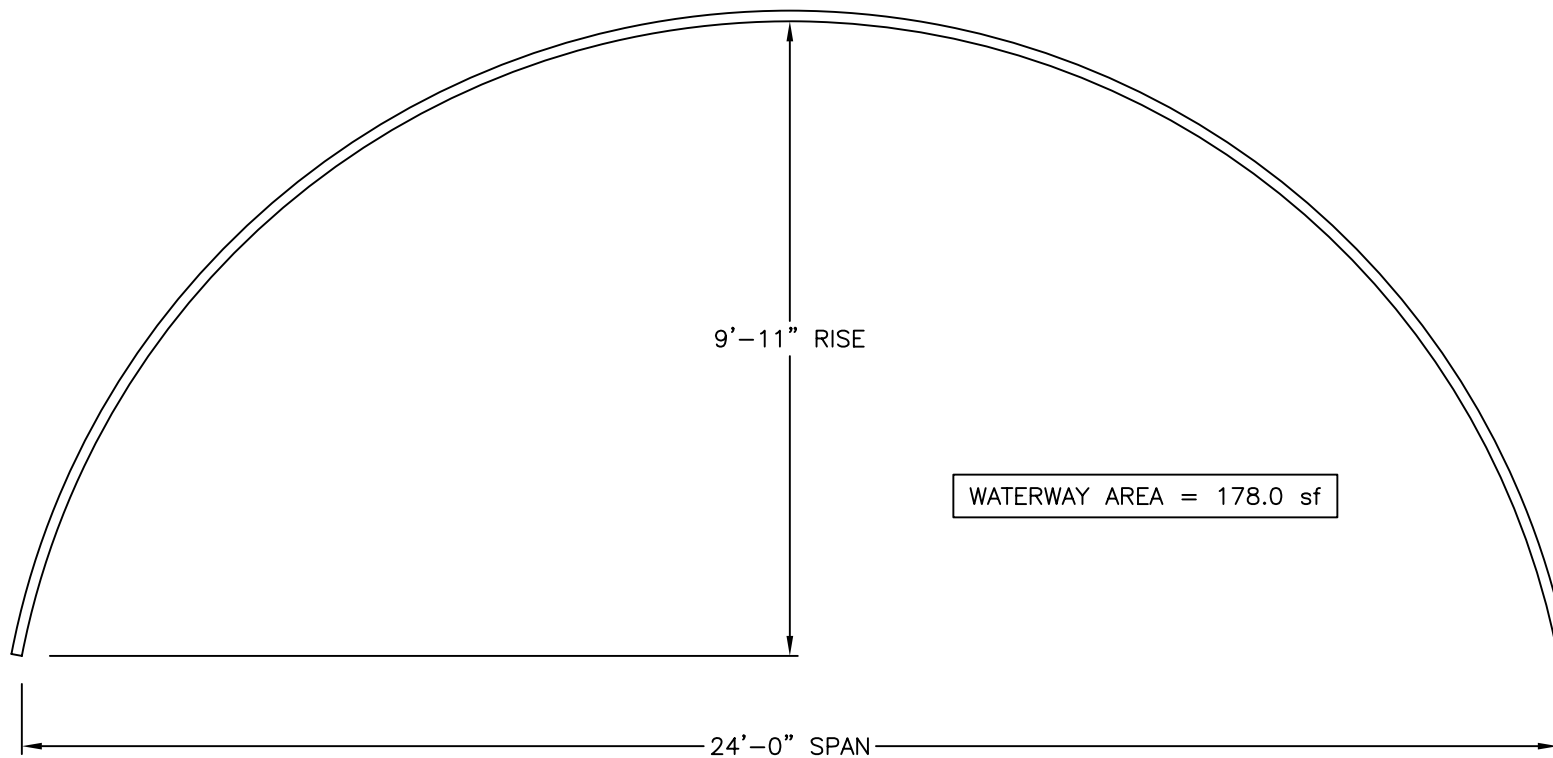
24'-0" x 9'-11"

Drawing Number: AC-S-24.00-6

Page Number: 1 OF 1

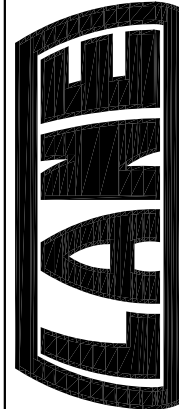
Date Drawn: 6/4/08

Drawn By: JCH



NOTES:

1. DIMENSIONS ARE SHOWN TO THE INSIDE OF THE CORRUGATION CRESTS.
2. DIMENSIONS ARE SUBJECT TO MANUFACTURING TOLERANCES.
3. PLATE LAYOUT WILL BE DETERMINED BY MANUFACTURER.
4. ALL REINFORCING PER MANUFACTURERS REQUIREMENTS.



LANE ENTERPRISES, INC.

STEEL STRUCTURAL PLATE

ARCH CULVERT DETAIL

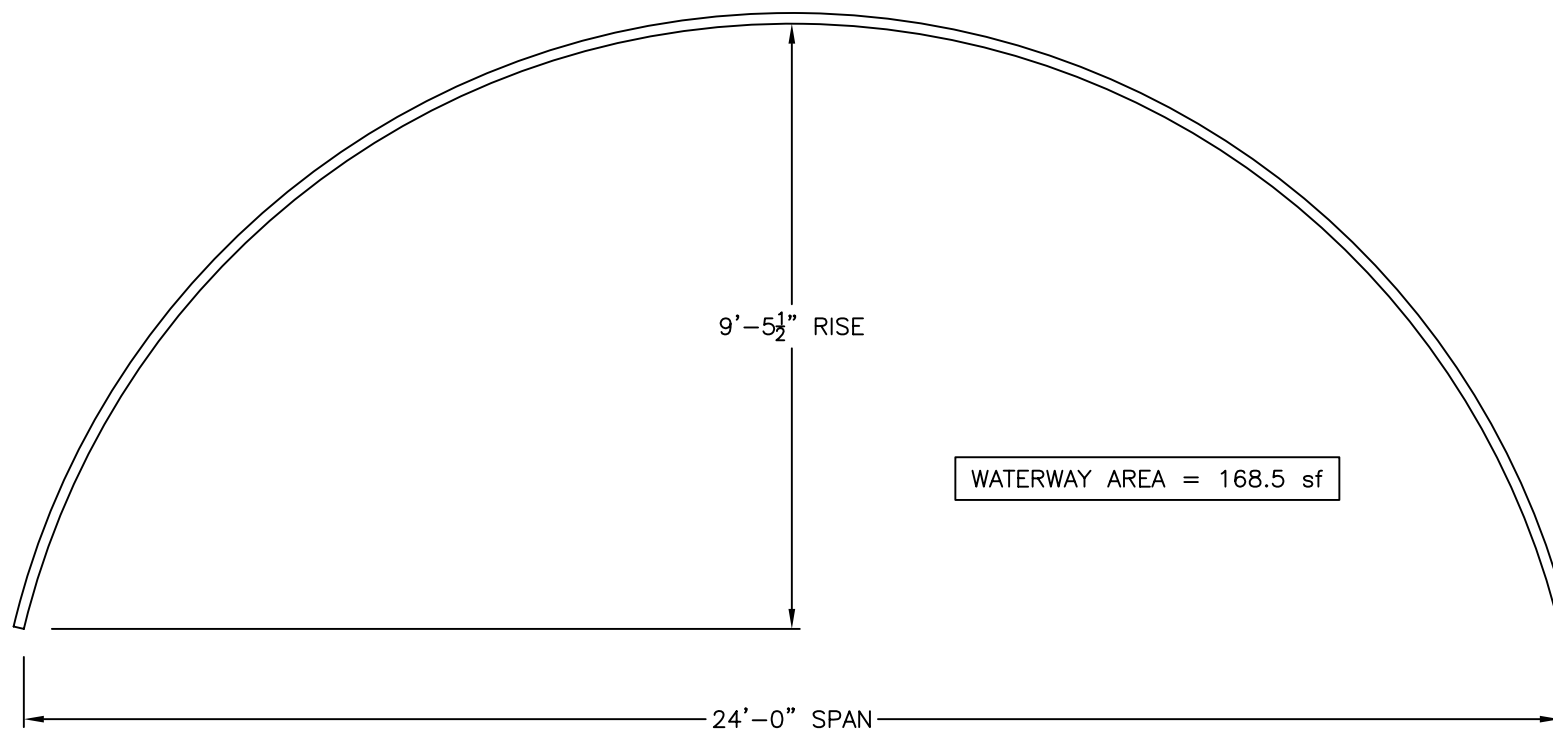
24'-0" x 9'-5 1/2"

Drawing Number: AC-S-24.00-7

Page Number: 1 OF 1

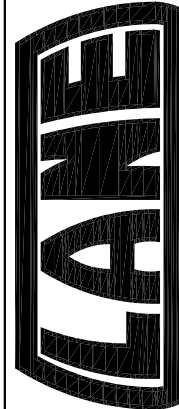
Date Drawn: 6/4/08

Drawn By: JCH



NOTES:

1. DIMENSIONS ARE SHOWN TO THE INSIDE OF THE CORRUGATION CRESTS.
2. DIMENSIONS ARE SUBJECT TO MANUFACTURING TOLERANCES.
3. PLATE LAYOUT WILL BE DETERMINED BY MANUFACTURER.
4. ALL REINFORCING PER MANUFACTURERS REQUIREMENTS.



LANE ENTERPRISES, INC.

STEEL STRUCTURAL PLATE

ARCH CULVERT DETAIL

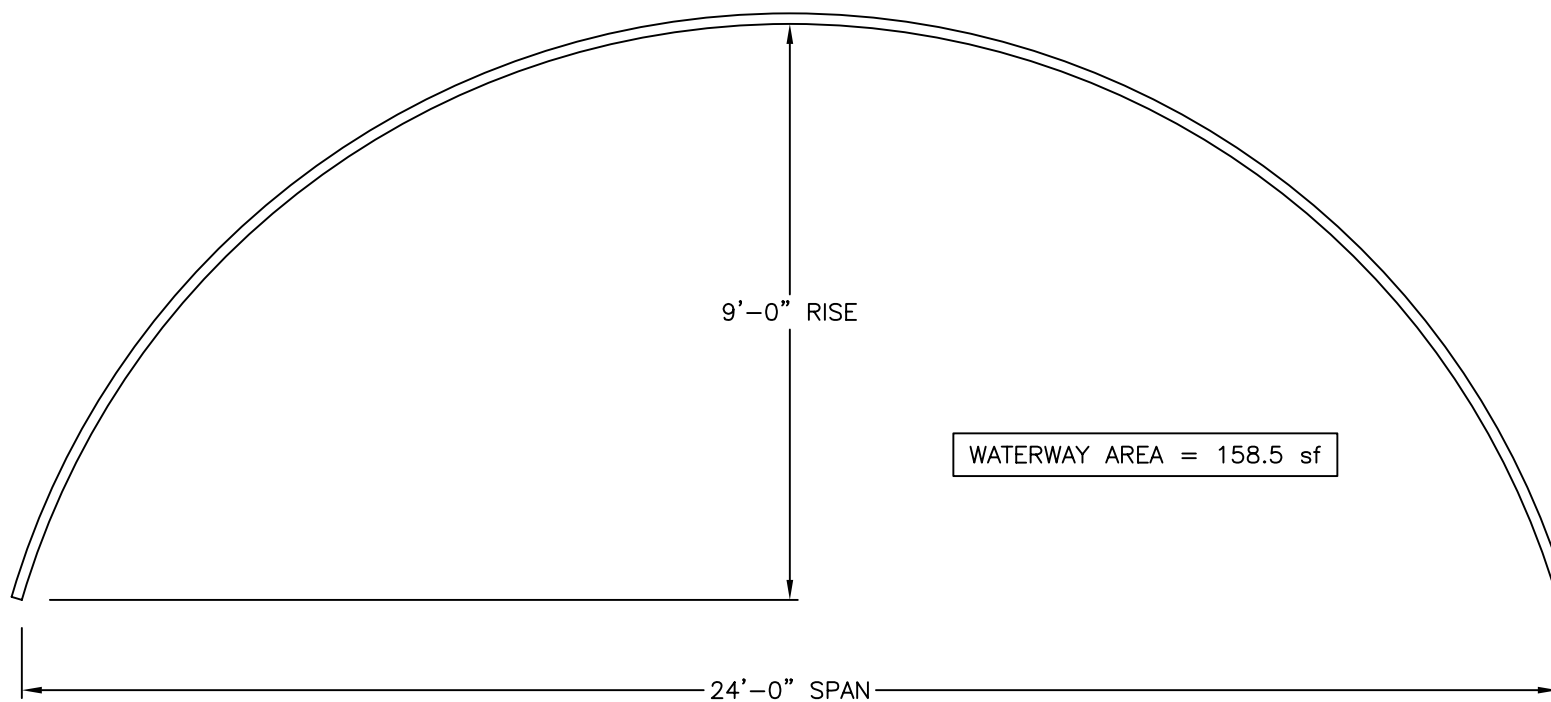
24'-0" x 9'-0"

Drawing Number: AC-S-24.00-8

Page Number: 1 OF 1

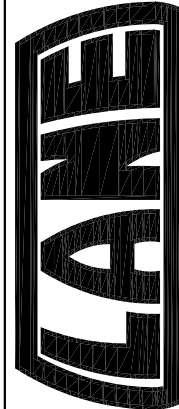
Date Drawn: 6/4/08

Drawn By: JCH



NOTES:

1. DIMENSIONS ARE SHOWN TO THE INSIDE OF THE CORRUGATION CRESTS.
2. DIMENSIONS ARE SUBJECT TO MANUFACTURING TOLERANCES.
3. PLATE LAYOUT WILL BE DETERMINED BY MANUFACTURER.
4. ALL REINFORCING PER MANUFACTURERS REQUIREMENTS.



LANE ENTERPRISES, INC.

STEEL STRUCTURAL PLATE

ARCH CULVERT DETAIL

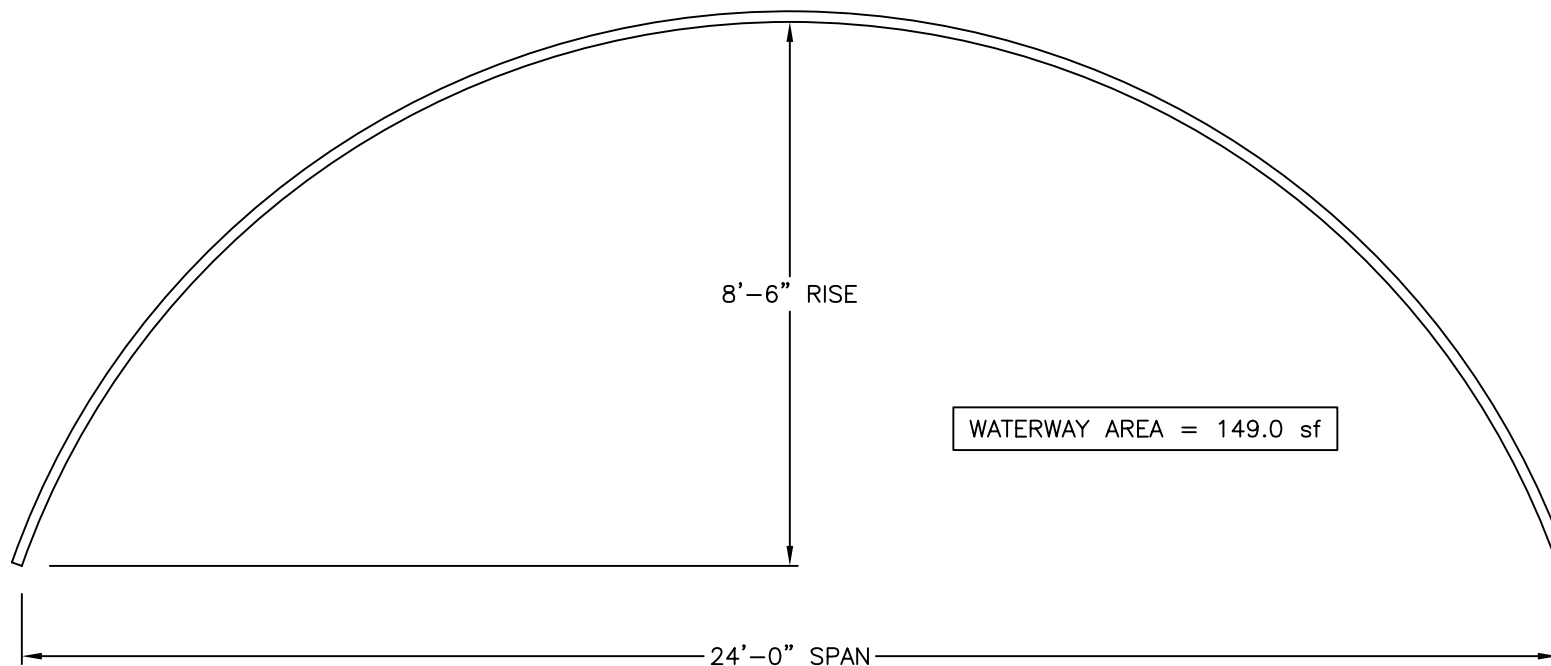
24'-0" x 8'-6"

Drawing Number: AC-S-24.00-9

Page Number: 1 OF 1

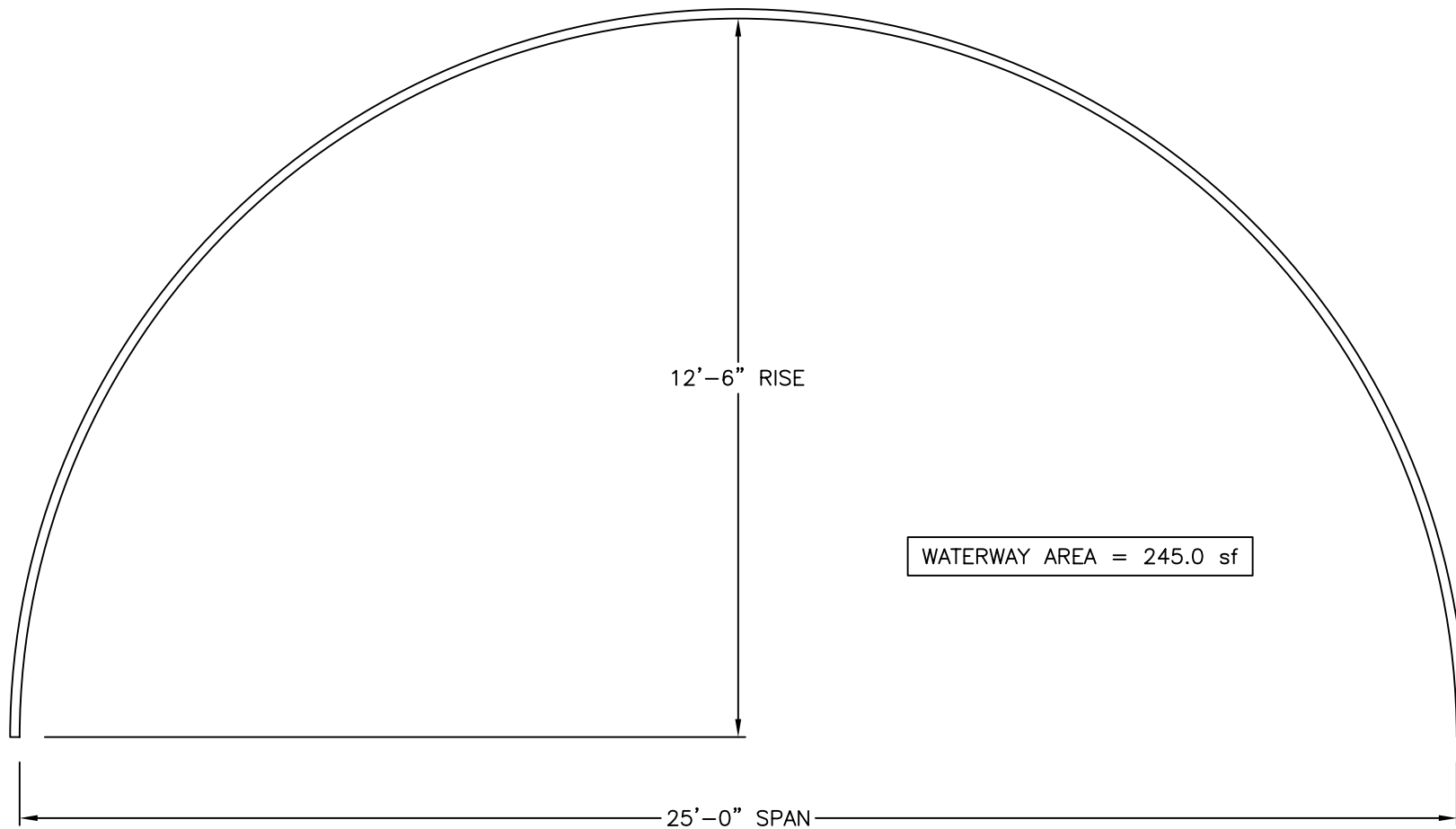
Date Drawn: 6/4/08

Drawn By: JCH



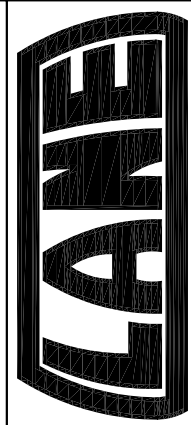
NOTES:

1. DIMENSIONS ARE SHOWN TO THE INSIDE OF THE CORRUGATION CRESTS.
2. DIMENSIONS ARE SUBJECT TO MANUFACTURING TOLERANCES.
3. PLATE LAYOUT WILL BE DETERMINED BY MANUFACTURER.
4. ALL REINFORCING PER MANUFACTURERS REQUIREMENTS.



NOTES:

1. DIMENSIONS ARE SHOWN TO THE INSIDE OF THE CORRUGATION CRESTS.
2. DIMENSIONS ARE SUBJECT TO MANUFACTURING TOLERANCES.
3. PLATE LAYOUT WILL BE DETERMINED BY MANUFACTURER.
4. ALL REINFORCING PER MANUFACTURERS REQUIREMENTS.



LANE ENTERPRISES, INC.

STEEL STRUCTURAL PLATE

ARCH CULVERT DETAIL

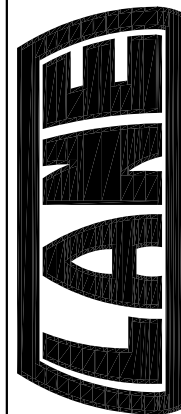
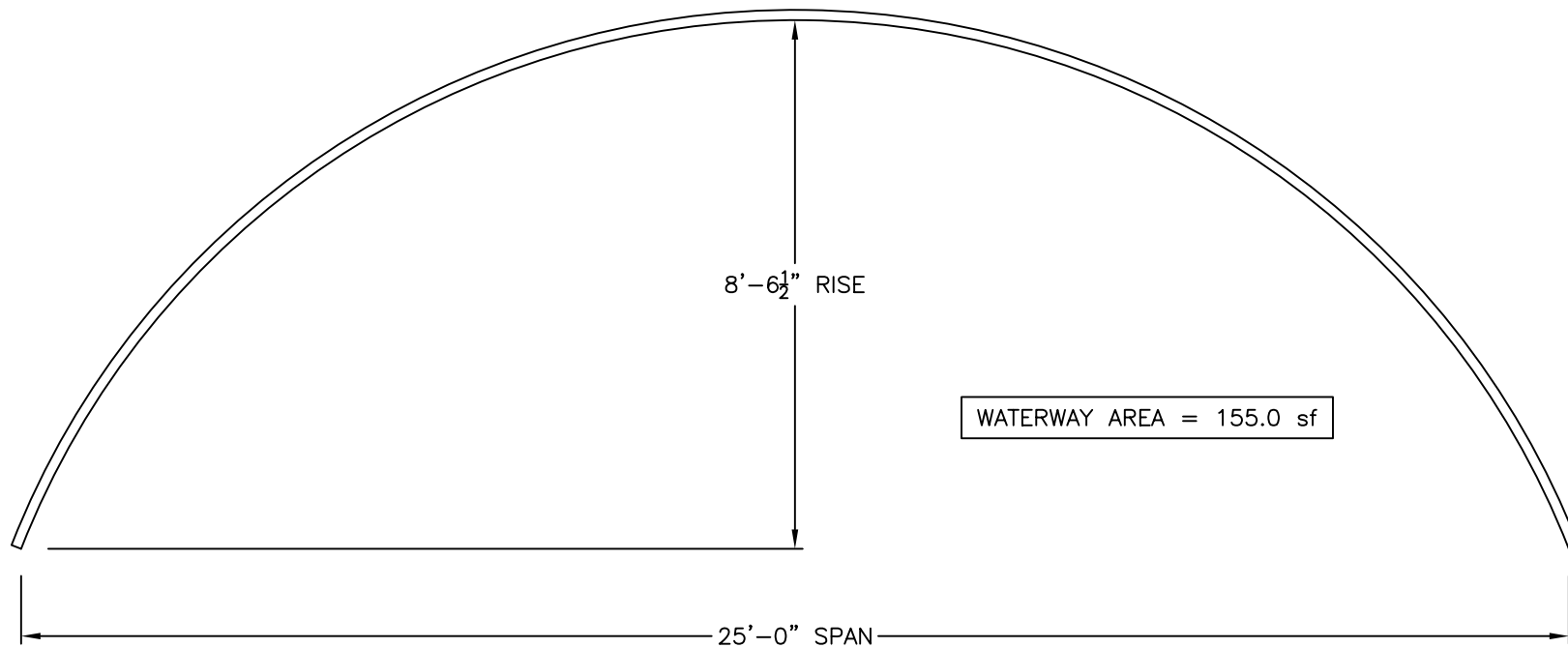
25'-0" x 12'-6"

Drawing Number: AC-S-25.00-1

Page Number: 1 OF 1

Date Drawn: 6/4/08

Drawn By: JCH



LANE ENTERPRISES, INC.

STEEL STRUCTURAL PLATE

ARCH CULVERT DETAIL

25'-0" x 8'-6 1/2"

Drawing Number: AC-S-25.00-10

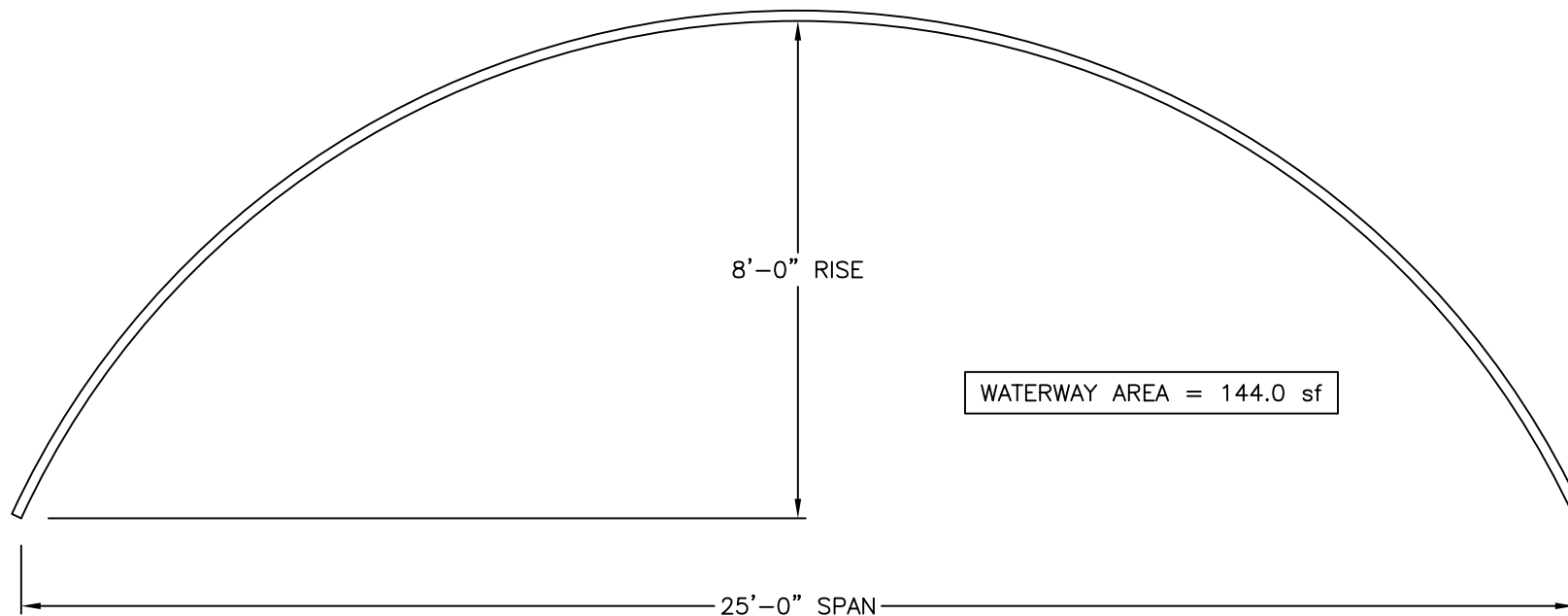
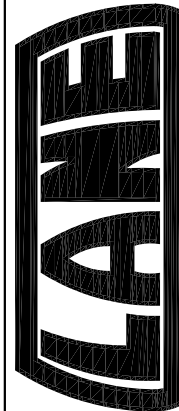
Page Number: 1 OF 1

Date Drawn: 6/4/08

Drawn By: JCH

NOTES:

1. DIMENSIONS ARE SHOWN TO THE INSIDE OF THE CORRUGATION CRESTS.
2. DIMENSIONS ARE SUBJECT TO MANUFACTURING TOLERANCES.
3. PLATE LAYOUT WILL BE DETERMINED BY MANUFACTURER.
4. ALL REINFORCING PER MANUFACTURERS REQUIREMENTS.



LANE ENTERPRISES, INC.

STEEL STRUCTURAL PLATE

ARCH CULVERT DETAIL

25'-0" x 8'-0"

Drawing Number: AC-S-25.00-11

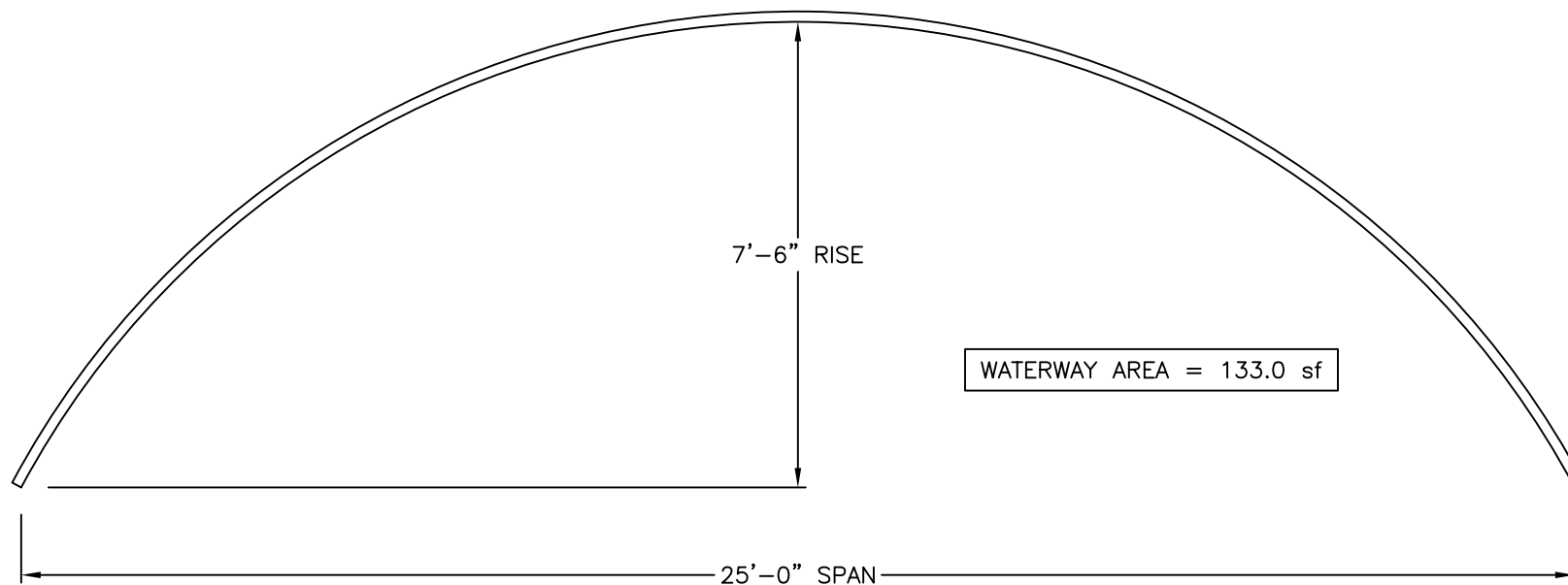
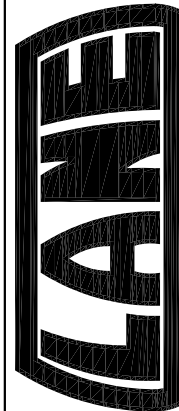
Page Number: 1 OF 1

Date Drawn: 6/4/08

Drawn By: JCH

NOTES:

1. DIMENSIONS ARE SHOWN TO THE INSIDE OF THE CORRUGATION CRESTS.
2. DIMENSIONS ARE SUBJECT TO MANUFACTURING TOLERANCES.
3. PLATE LAYOUT WILL BE DETERMINED BY MANUFACTURER.
4. ALL REINFORCING PER MANUFACTURERS REQUIREMENTS.



LANE ENTERPRISES, INC.

STEEL STRUCTURAL PLATE

ARCH CULVERT DETAIL

25'-0" x 7'-6"

Drawing Number: AC-S-25.00-12

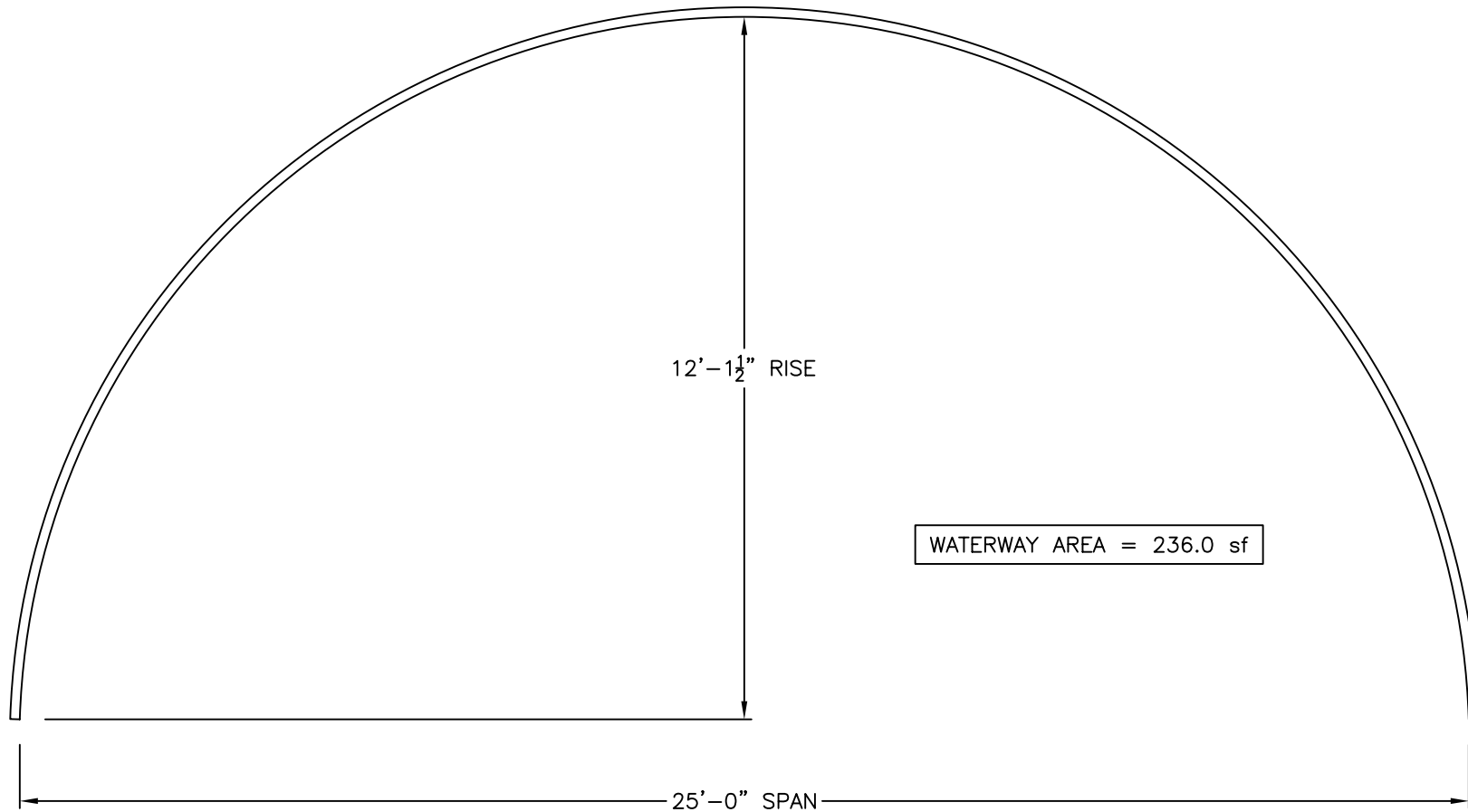
Page Number: 1 OF 1

Date Drawn: 6/4/08

Drawn By: JCH

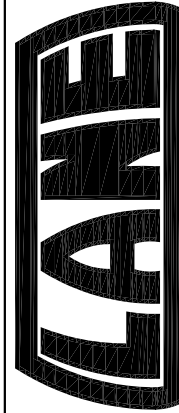
NOTES:

1. DIMENSIONS ARE SHOWN TO THE INSIDE OF THE CORRUGATION CRESTS.
2. DIMENSIONS ARE SUBJECT TO MANUFACTURING TOLERANCES.
3. PLATE LAYOUT WILL BE DETERMINED BY MANUFACTURER.
4. ALL REINFORCING PER MANUFACTURERS REQUIREMENTS.



NOTES:

1. DIMENSIONS ARE SHOWN TO THE INSIDE OF THE CORRUGATION CRESTS.
2. DIMENSIONS ARE SUBJECT TO MANUFACTURING TOLERANCES.
3. PLATE LAYOUT WILL BE DETERMINED BY MANUFACTURER.
4. ALL REINFORCING PER MANUFACTURERS REQUIREMENTS.



LANE ENTERPRISES, INC.

STEEL STRUCTURAL PLATE

ARCH CULVERT DETAIL

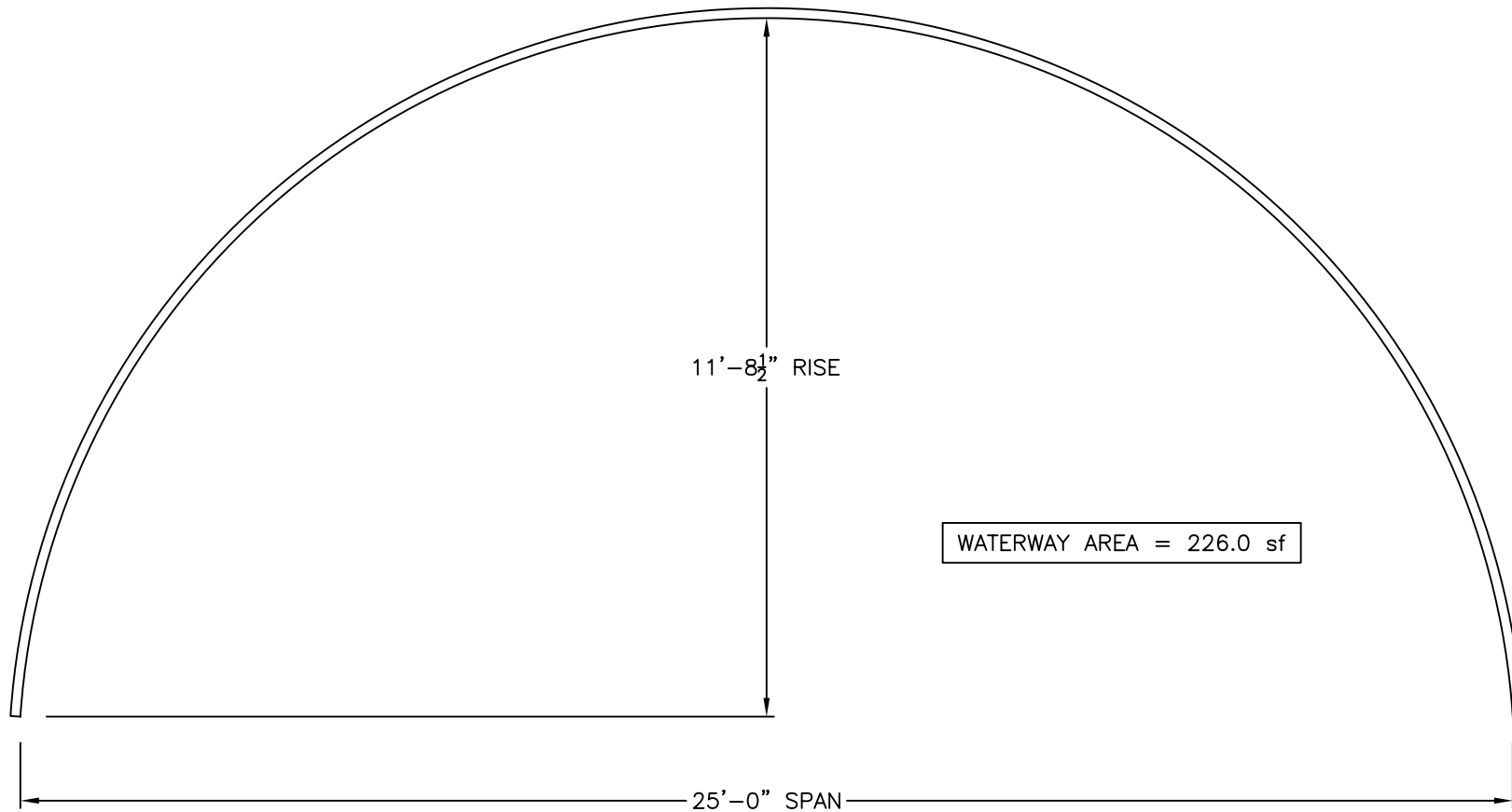
25'-0" x 12'-1 1/2"

Drawing Number: AC-S-25.00-2

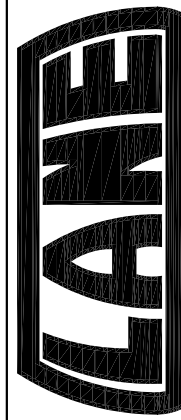
Page Number: 1 OF 1

Date Drawn: 6/4/08

Drawn By: JCH



WATERWAY AREA = 226.0 sf



LANE ENTERPRISES, INC.

STEEL STRUCTURAL PLATE

ARCH CULVERT DETAIL

25'-0" x 11'-8 1/2"

Drawing Number: AC-S-25.00-3

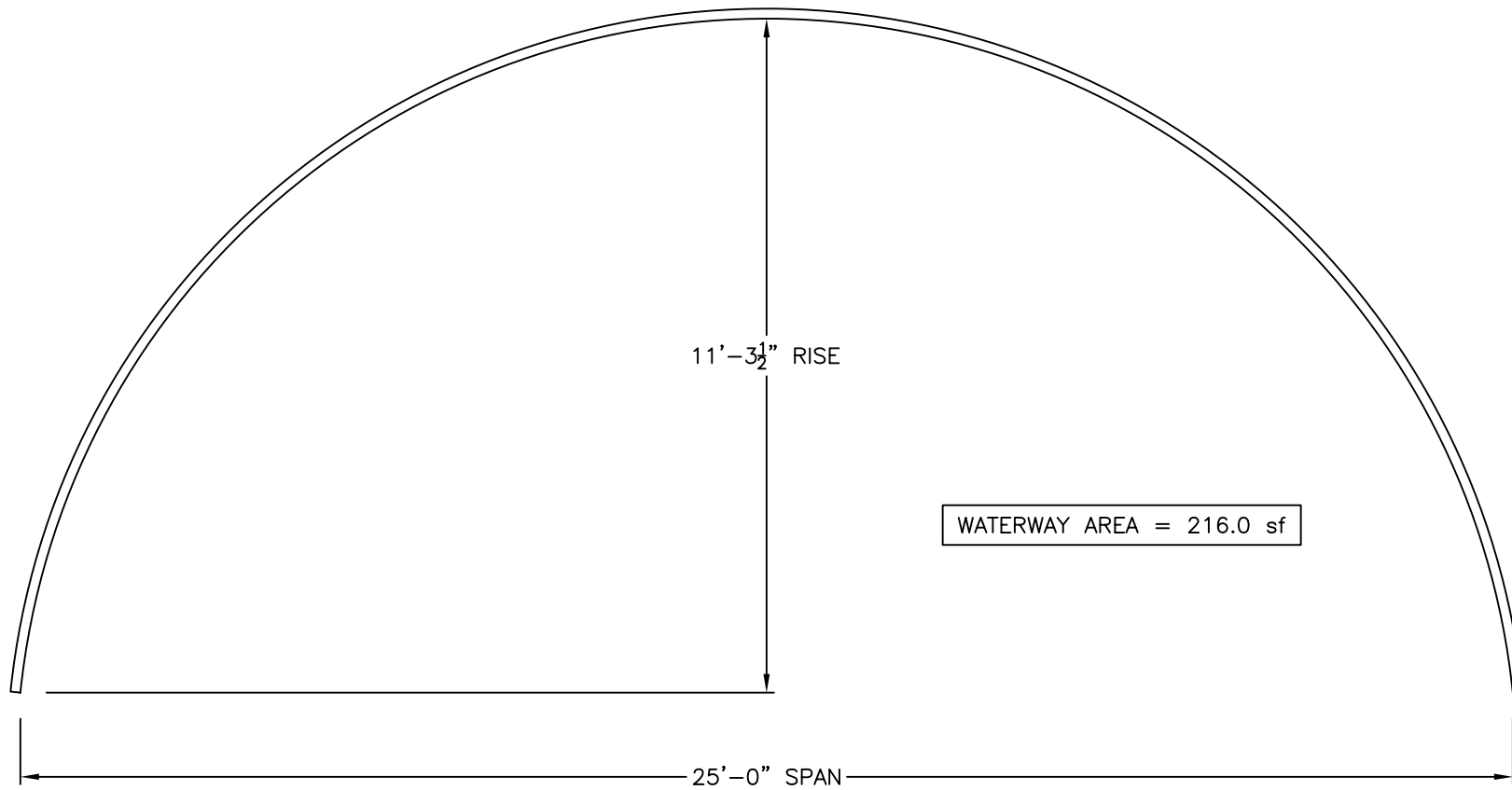
Page Number: 1 OF 1

Date Drawn: 6/4/08

Drawn By: JCH

NOTES:

1. DIMENSIONS ARE SHOWN TO THE INSIDE OF THE CORRUGATION CRESTS.
2. DIMENSIONS ARE SUBJECT TO MANUFACTURING TOLERANCES.
3. PLATE LAYOUT WILL BE DETERMINED BY MANUFACTURER.
4. ALL REINFORCING PER MANUFACTURERS REQUIREMENTS.



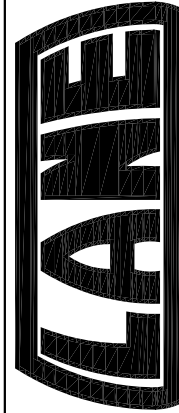
WATERWAY AREA = 216.0 sf

11'-3 1/2" RISE

25'-0" SPAN

NOTES:

1. DIMENSIONS ARE SHOWN TO THE INSIDE OF THE CORRUGATION CRESTS.
2. DIMENSIONS ARE SUBJECT TO MANUFACTURING TOLERANCES.
3. PLATE LAYOUT WILL BE DETERMINED BY MANUFACTURER.
4. ALL REINFORCING PER MANUFACTURERS REQUIREMENTS.



LANE ENTERPRISES, INC.

STEEL STRUCTURAL PLATE

ARCH CULVERT DETAIL

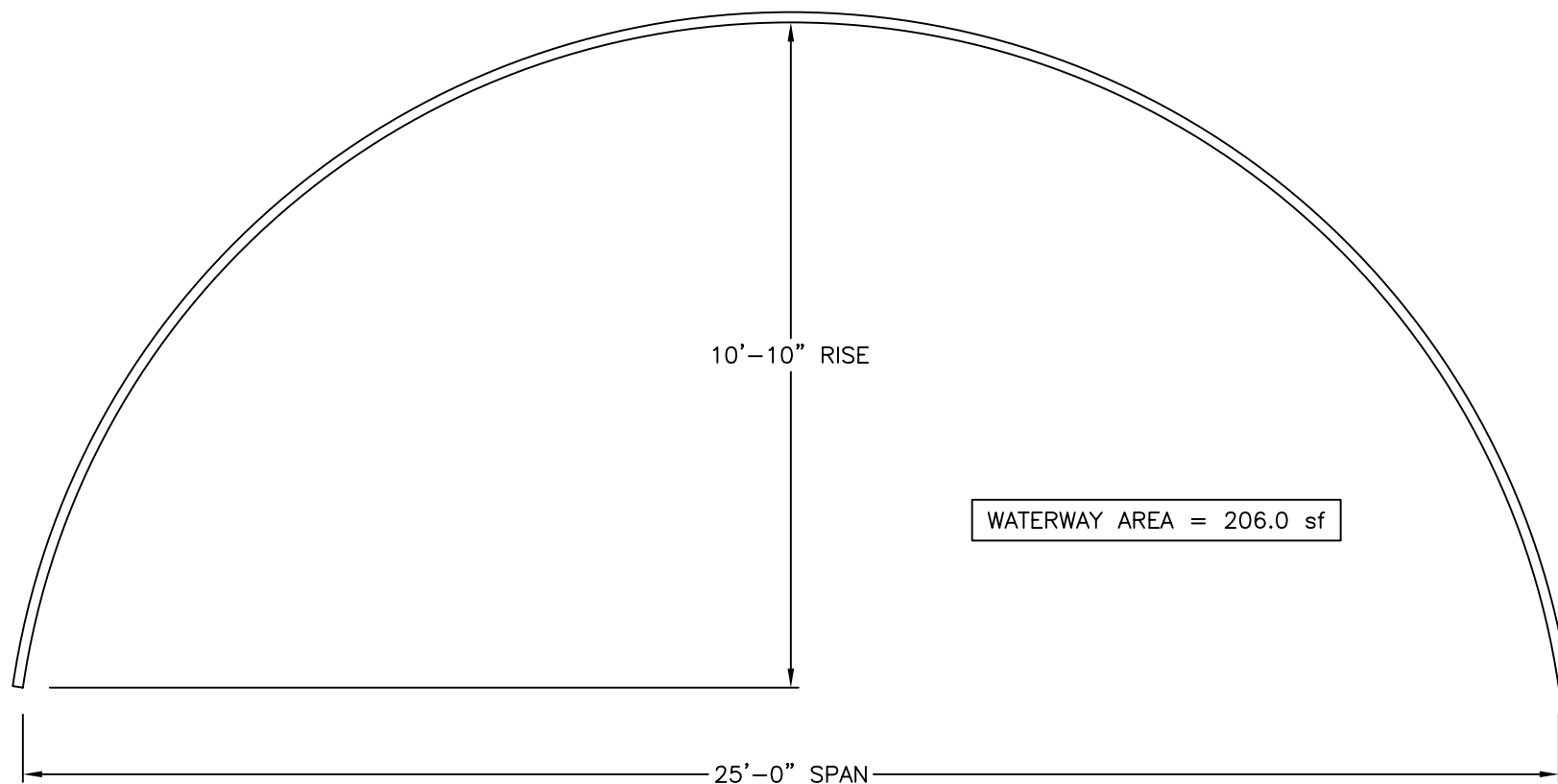
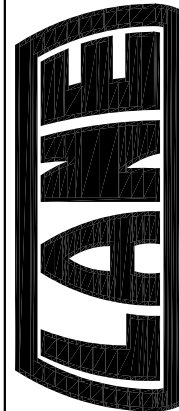
25'-0" x 11'-3 1/2"

Drawing Number: AC-S-25.00-4

Page Number: 1 OF 1

Date Drawn: 6/4/08

Drawn By: JCH



LANE ENTERPRISES, INC.

STEEL STRUCTURAL PLATE

ARCH CULVERT DETAIL

25'-0" x 10'-10"

Drawing Number: AC-S-25.00-5

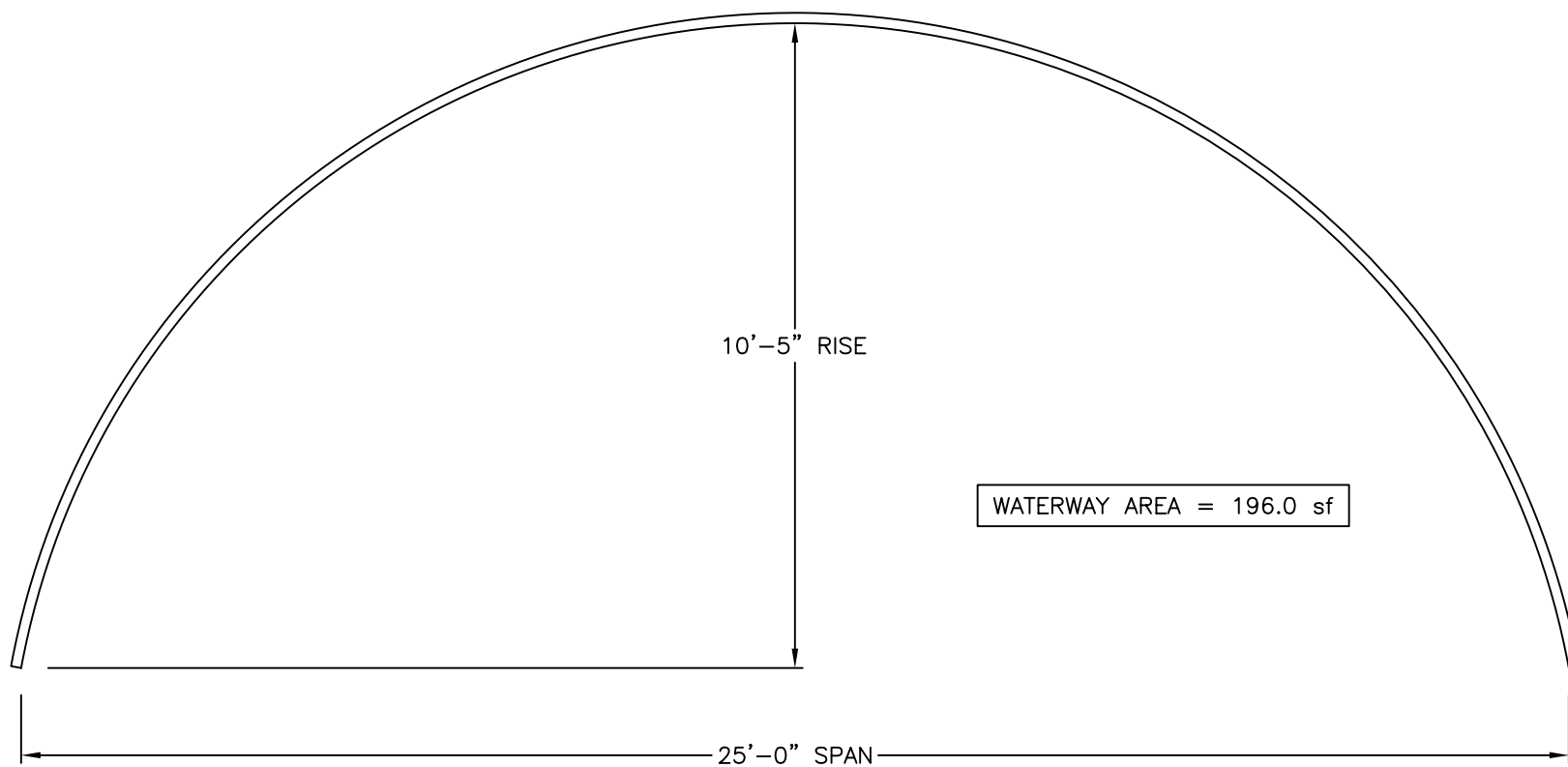
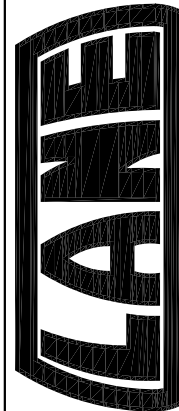
Page Number: 1 OF 1

Date Drawn: 6/4/08

Drawn By: JCH

NOTES:

1. DIMENSIONS ARE SHOWN TO THE INSIDE OF THE CORRUGATION CRESTS.
2. DIMENSIONS ARE SUBJECT TO MANUFACTURING TOLERANCES.
3. PLATE LAYOUT WILL BE DETERMINED BY MANUFACTURER.
4. ALL REINFORCING PER MANUFACTURERS REQUIREMENTS.



LANE ENTERPRISES, INC.

STEEL STRUCTURAL PLATE

ARCH CULVERT DETAIL

25'-0" x 10'-5"

Drawing Number: AC-S-25.00-6

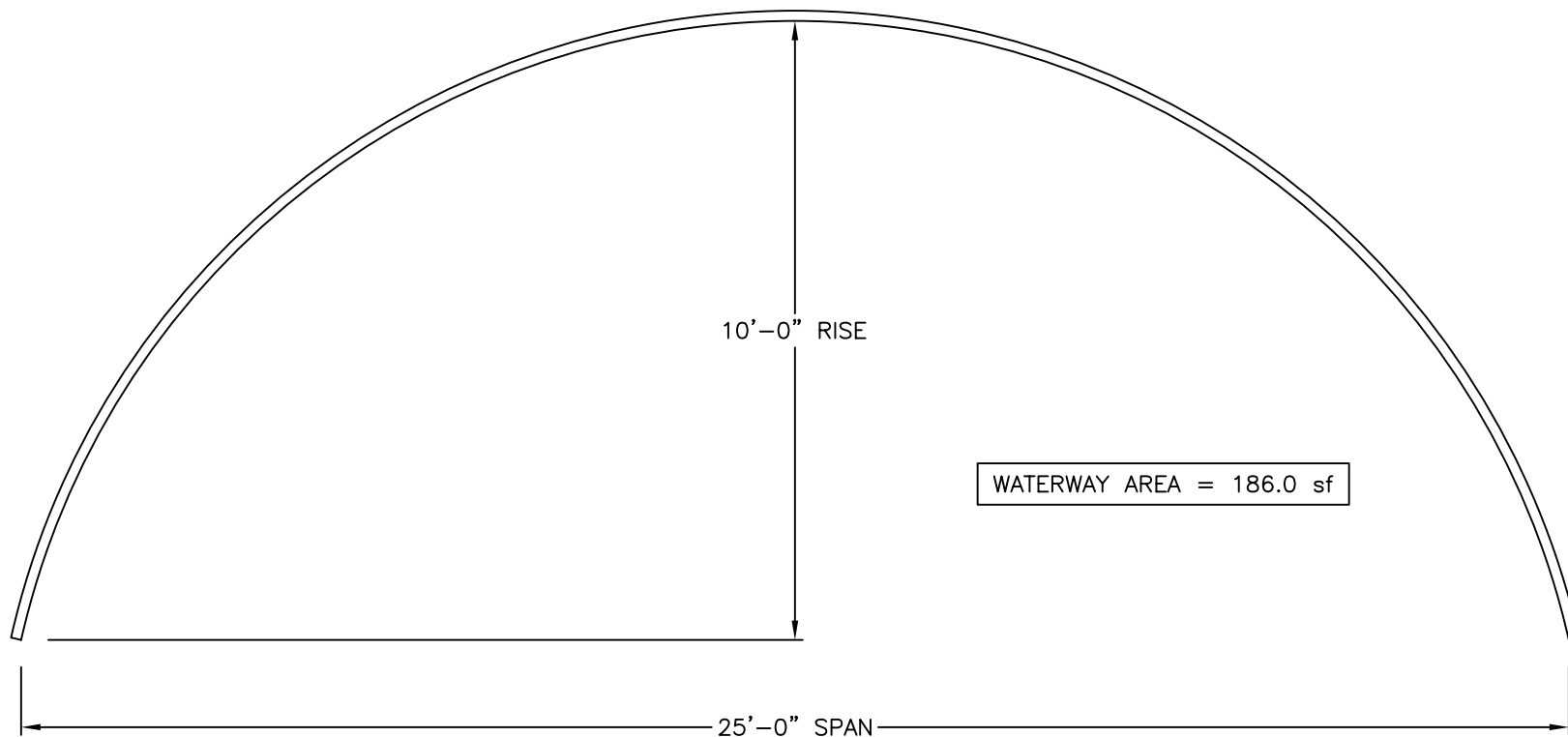
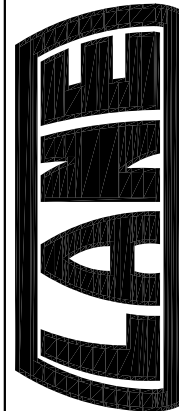
Page Number: 1 OF 1

Date Drawn: 6/4/08

Drawn By: JCH

NOTES:

1. DIMENSIONS ARE SHOWN TO THE INSIDE OF THE CORRUGATION CRESTS.
2. DIMENSIONS ARE SUBJECT TO MANUFACTURING TOLERANCES.
3. PLATE LAYOUT WILL BE DETERMINED BY MANUFACTURER.
4. ALL REINFORCING PER MANUFACTURERS REQUIREMENTS.



LANE ENTERPRISES, INC.

STEEL STRUCTURAL PLATE

ARCH CULVERT DETAIL

25'-0" x 10'-0"

Drawing Number: AC-S-25.00-7

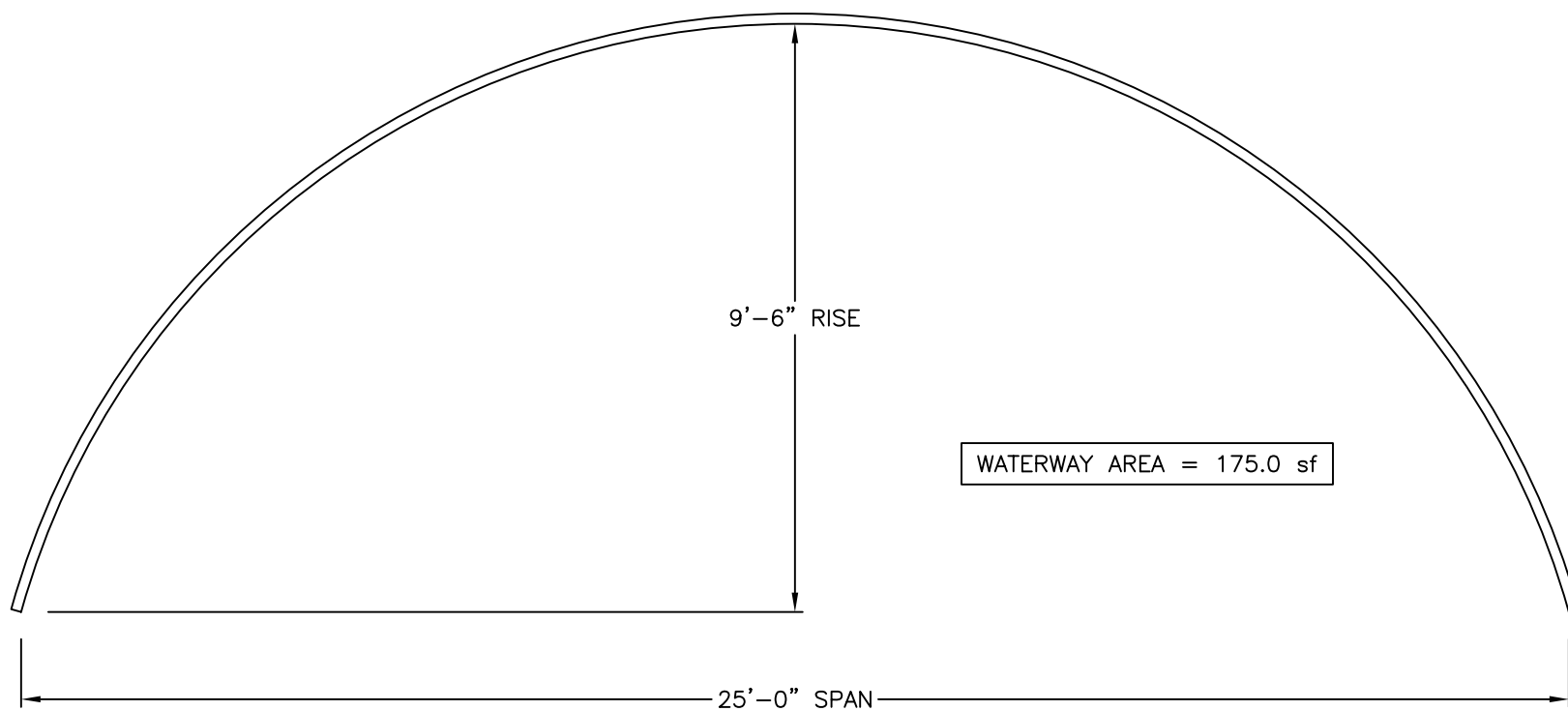
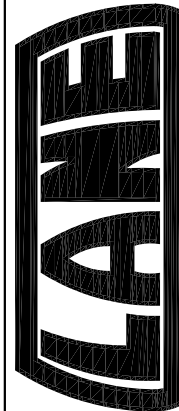
Page Number: 1 OF 1

Date Drawn: 6/4/08

Drawn By: JCH

NOTES:

1. DIMENSIONS ARE SHOWN TO THE INSIDE OF THE CORRUGATION CRESTS.
2. DIMENSIONS ARE SUBJECT TO MANUFACTURING TOLERANCES.
3. PLATE LAYOUT WILL BE DETERMINED BY MANUFACTURER.
4. ALL REINFORCING PER MANUFACTURERS REQUIREMENTS.



LANE ENTERPRISES, INC.

STEEL STRUCTURAL PLATE

ARCH CULVERT DETAIL

25'-0" x 9'-6"

Drawing Number: AC-S-25.00-8

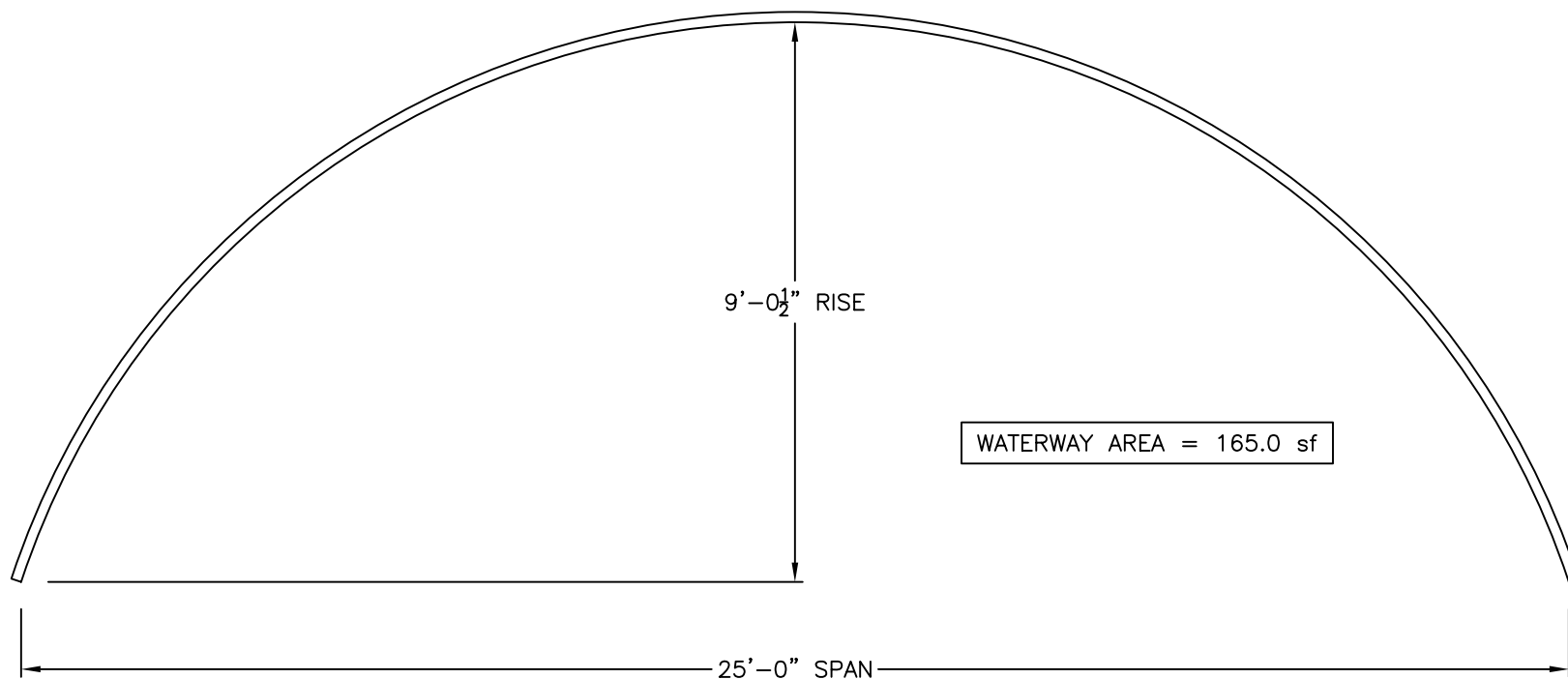
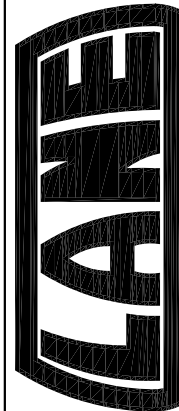
Page Number: 1 OF 1

Date Drawn: 6/4/08

Drawn By: JCH

NOTES:

1. DIMENSIONS ARE SHOWN TO THE INSIDE OF THE CORRUGATION CRESTS.
2. DIMENSIONS ARE SUBJECT TO MANUFACTURING TOLERANCES.
3. PLATE LAYOUT WILL BE DETERMINED BY MANUFACTURER.
4. ALL REINFORCING PER MANUFACTURERS REQUIREMENTS.



LANE ENTERPRISES, INC.

STEEL STRUCTURAL PLATE

ARCH CULVERT DETAIL

25'-0" x 9'-0 1/2"

Drawing Number: AC-S-25.00-9

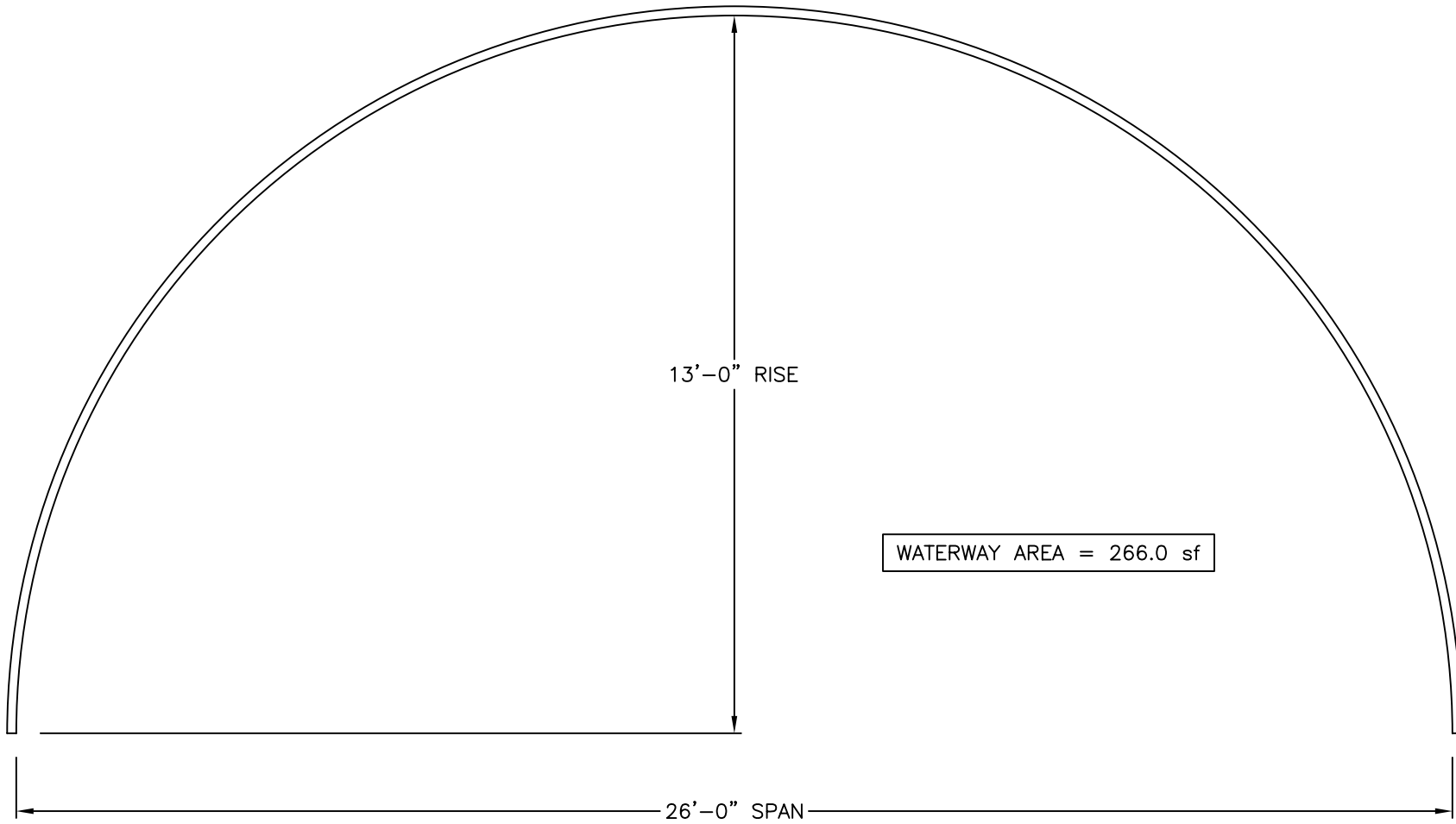
Page Number: 1 OF 1

Date Drawn: 6/4/08

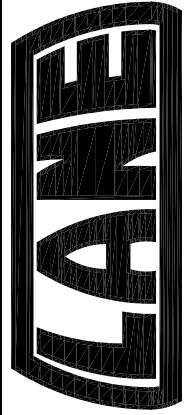
Drawn By: JCH

NOTES:

1. DIMENSIONS ARE SHOWN TO THE INSIDE OF THE CORRUGATION CRESTS.
2. DIMENSIONS ARE SUBJECT TO MANUFACTURING TOLERANCES.
3. PLATE LAYOUT WILL BE DETERMINED BY MANUFACTURER.
4. ALL REINFORCING PER MANUFACTURERS REQUIREMENTS.



WATERWAY AREA = 266.0 sf



LANE ENTERPRISES, INC.

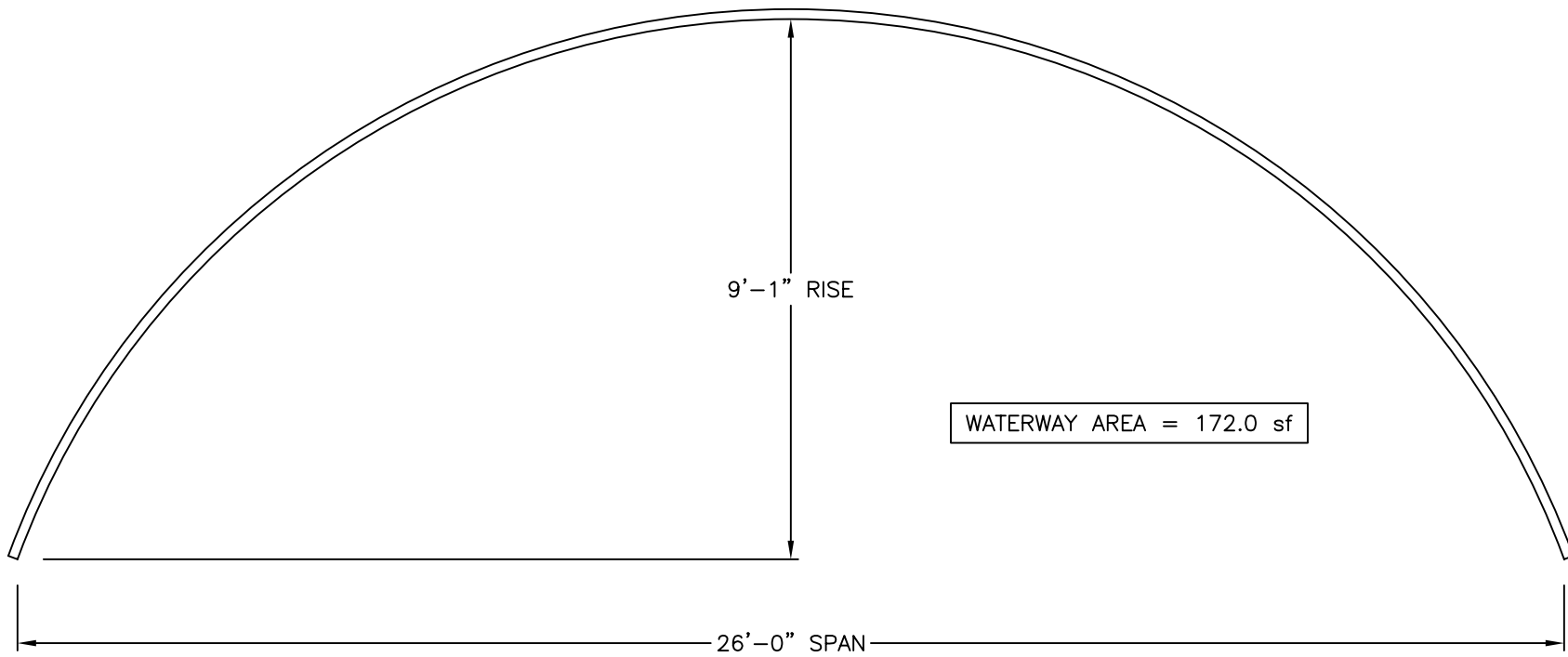
STEEL STRUCTURAL PLATE

ARCH CULVERT DETAIL

26'-0" x 13'-0"

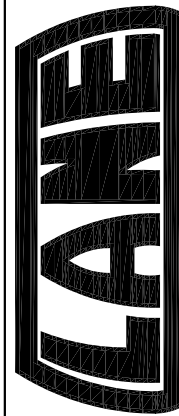
- NOTES:**
1. DIMENSIONS ARE SHOWN TO THE INSIDE OF THE CORRUGATION CRESTS.
 2. DIMENSIONS ARE SUBJECT TO MANUFACTURING TOLERANCES.
 3. PLATE LAYOUT WILL BE DETERMINED BY MANUFACTURER.
 4. ALL REINFORCING PER MANUFACTURERS REQUIREMENTS.

Drawing Number:	AC-S-26.00-1
Page Number:	1 OF 1
Date Drawn:	6/4/08
Drawn By:	JCH



NOTES:

1. DIMENSIONS ARE SHOWN TO THE INSIDE OF THE CORRUGATION CRESTS.
2. DIMENSIONS ARE SUBJECT TO MANUFACTURING TOLERANCES.
3. PLATE LAYOUT WILL BE DETERMINED BY MANUFACTURER.
4. ALL REINFORCING PER MANUFACTURERS REQUIREMENTS.



LANE ENTERPRISES, INC.

STEEL STRUCTURAL PLATE

ARCH CULVERT DETAIL

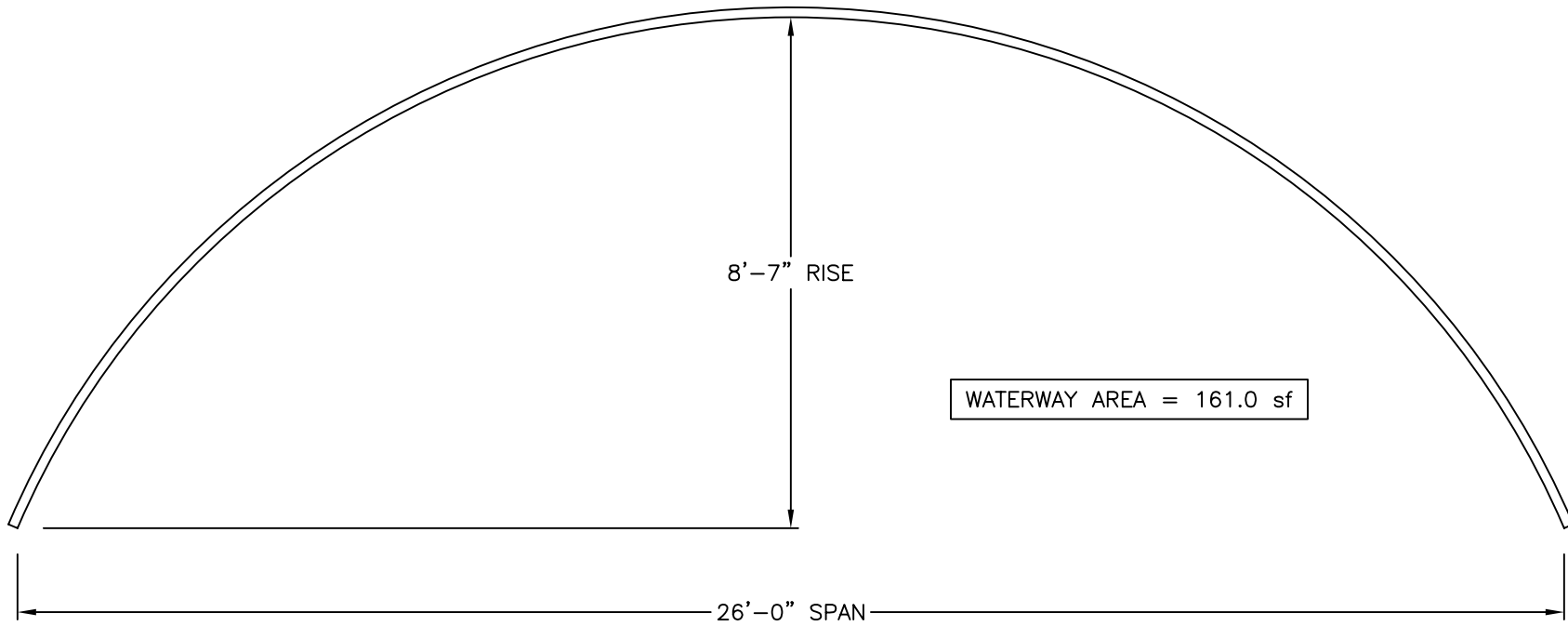
26'-0" x 9'-1"

Drawing Number: AC-S-26.00-10

Page Number: 1 OF 1

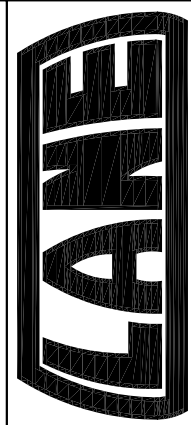
Date Drawn: 6/4/08

Drawn By: JCH



NOTES:

1. DIMENSIONS ARE SHOWN TO THE INSIDE OF THE CORRUGATION CRESTS.
2. DIMENSIONS ARE SUBJECT TO MANUFACTURING TOLERANCES.
3. PLATE LAYOUT WILL BE DETERMINED BY MANUFACTURER.
4. ALL REINFORCING PER MANUFACTURERS REQUIREMENTS.



LANE ENTERPRISES, INC.

STEEL STRUCTURAL PLATE

ARCH CULVERT DETAIL

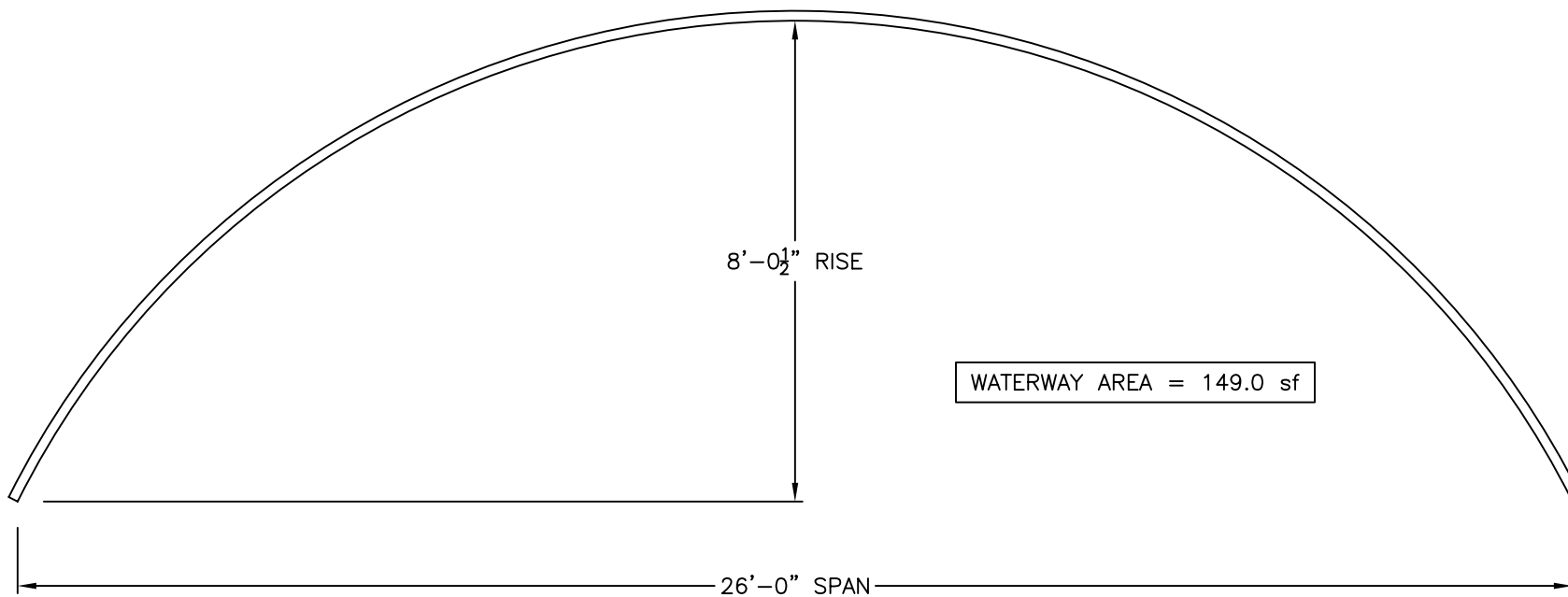
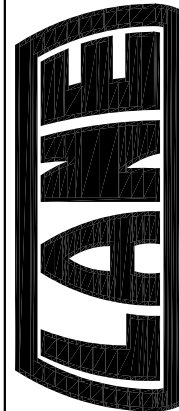
26'-0" x 8'-7"

Drawing Number: AC-S-26.00-11

Page Number: 1 OF 1

Date Drawn: 6/4/08

Drawn By: JCH



LANE ENTERPRISES, INC.

STEEL STRUCTURAL PLATE

ARCH CULVERT DETAIL

26'-0" x 8'-0 1/2"

Drawing Number: AC-S-26.00-12

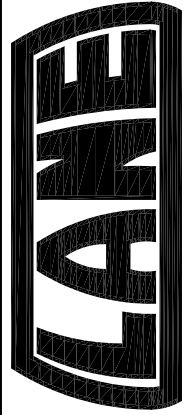
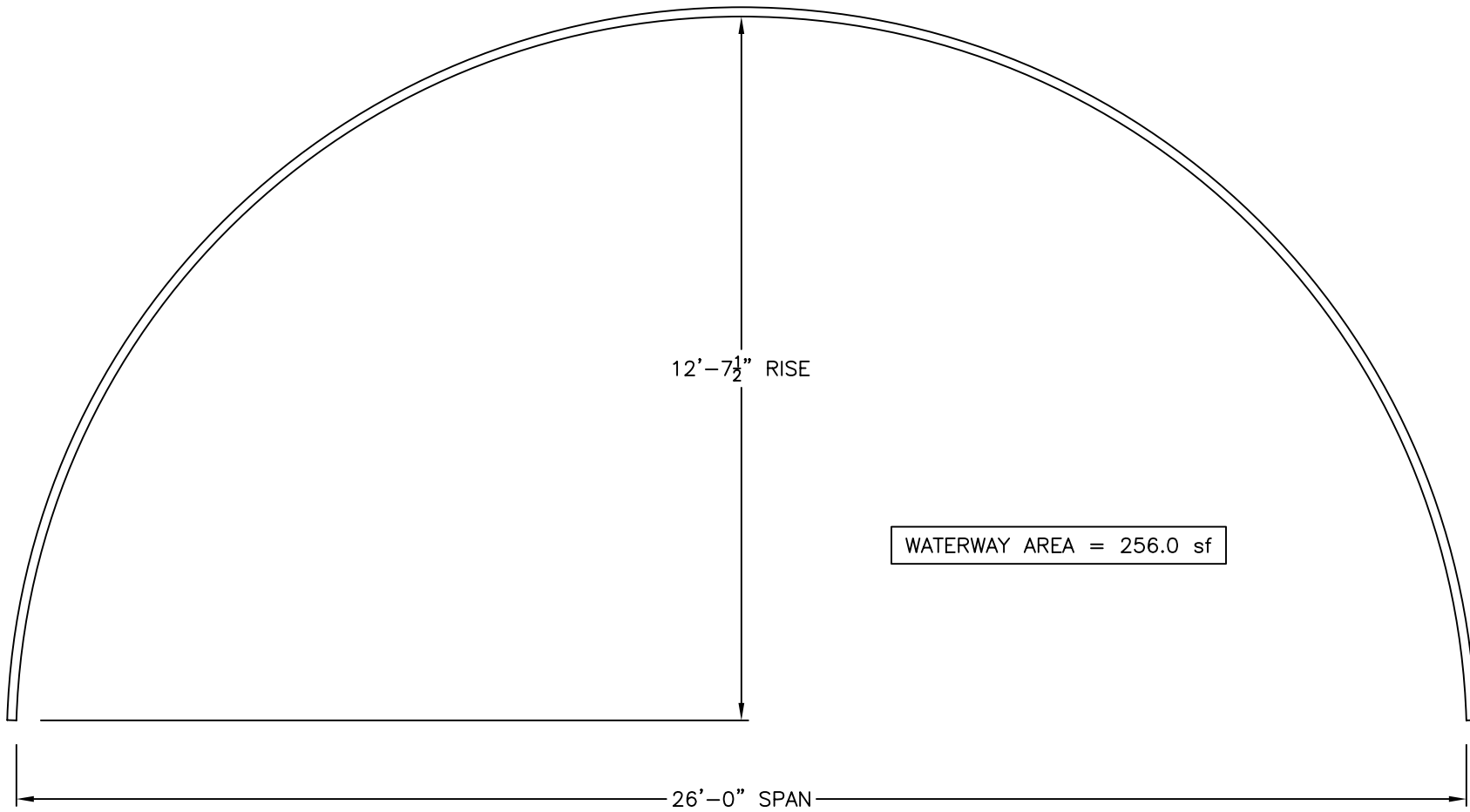
Page Number: 1 OF 1

Date Drawn: 6/4/08

Drawn By: JCH

NOTES:

1. DIMENSIONS ARE SHOWN TO THE INSIDE OF THE CORRUGATION CRESTS.
2. DIMENSIONS ARE SUBJECT TO MANUFACTURING TOLERANCES.
3. PLATE LAYOUT WILL BE DETERMINED BY MANUFACTURER.
4. ALL REINFORCING PER MANUFACTURERS REQUIREMENTS.



LANE ENTERPRISES, INC.

STEEL STRUCTURAL PLATE

ARCH CULVERT DETAIL

26'-0" x 12'-7 1/2"

Drawing Number: AC-S-26.00-2

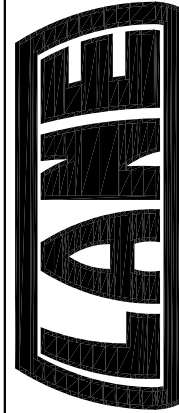
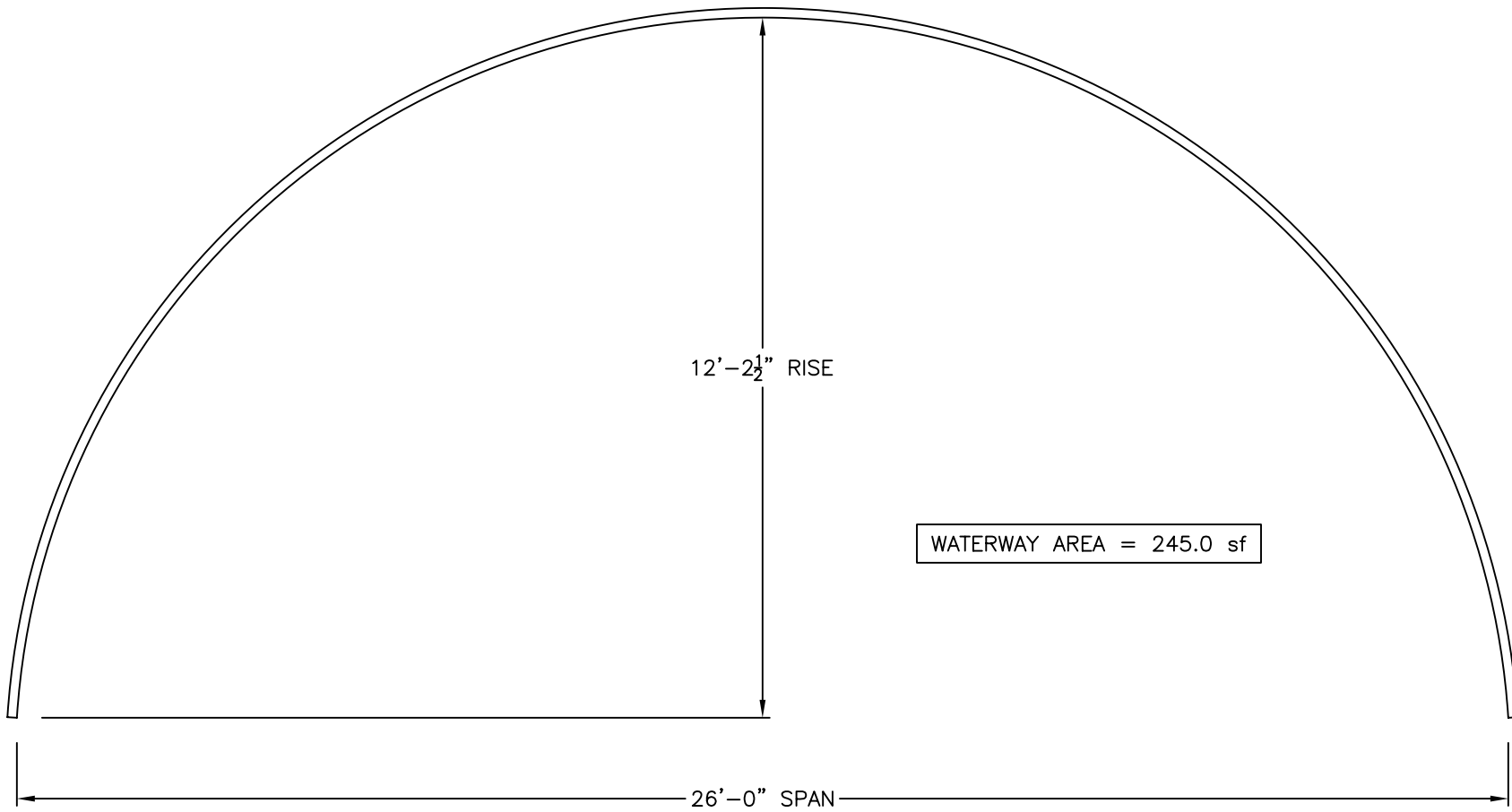
Page Number: 1 OF 1

Date Drawn: 6/4/08

Drawn By: JCH

NOTES:

1. DIMENSIONS ARE SHOWN TO THE INSIDE OF THE CORRUGATION CRESTS.
2. DIMENSIONS ARE SUBJECT TO MANUFACTURING TOLERANCES.
3. PLATE LAYOUT WILL BE DETERMINED BY MANUFACTURER.
4. ALL REINFORCING PER MANUFACTURERS REQUIREMENTS.



LANE ENTERPRISES, INC.

STEEL STRUCTURAL PLATE

ARCH CULVERT DETAIL

26'-0" x 12'-2 1/2"

Drawing Number: AC-S-26.00-3

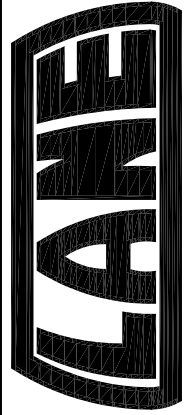
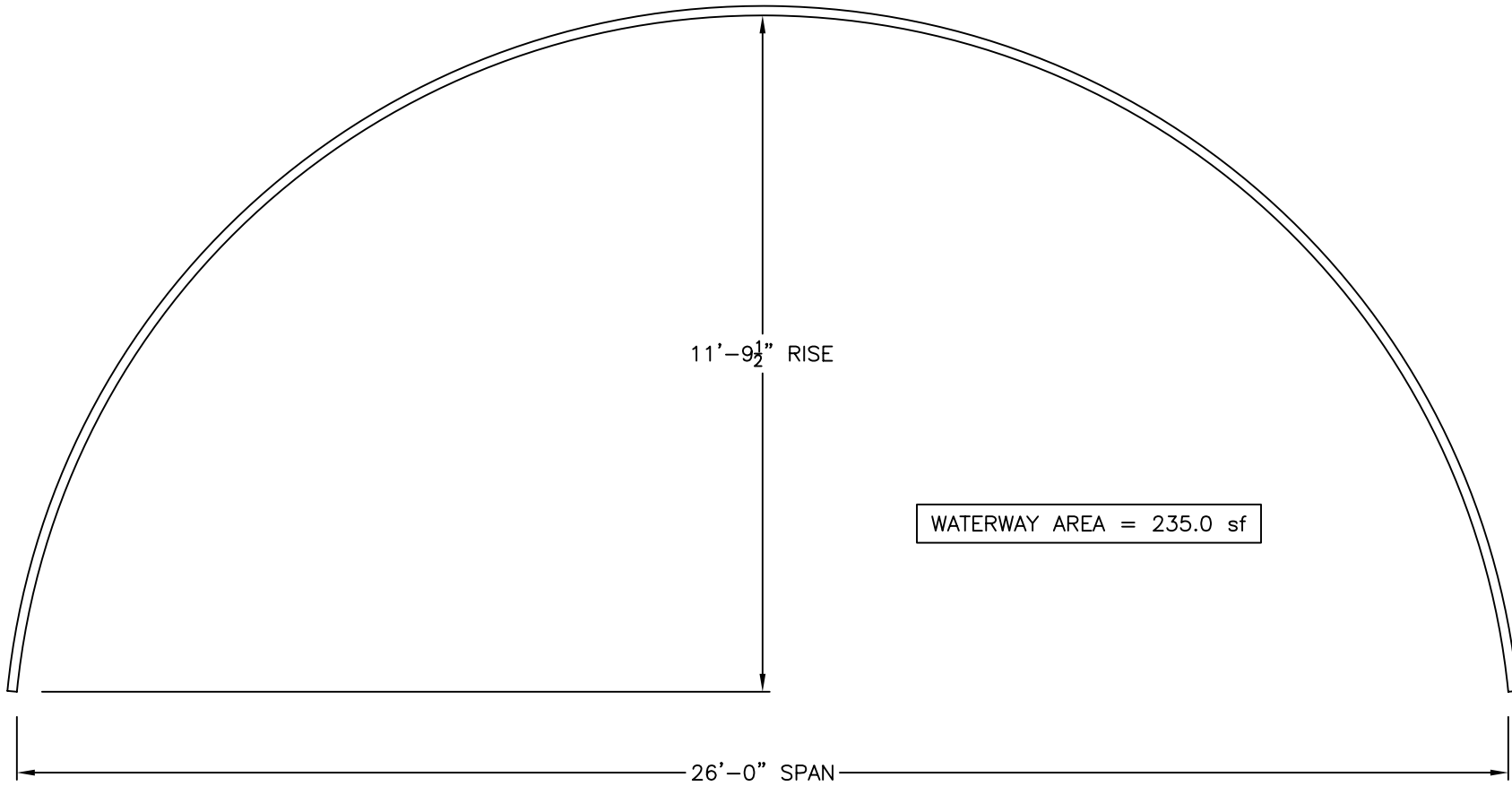
Page Number: 1 OF 1

Date Drawn: 6/4/08

Drawn By: JCH

NOTES:

1. DIMENSIONS ARE SHOWN TO THE INSIDE OF THE CORRUGATION CRESTS.
2. DIMENSIONS ARE SUBJECT TO MANUFACTURING TOLERANCES.
3. PLATE LAYOUT WILL BE DETERMINED BY MANUFACTURER.
4. ALL REINFORCING PER MANUFACTURERS REQUIREMENTS.



LANE ENTERPRISES, INC.

STEEL STRUCTURAL PLATE
 ARCH CULVERT DETAIL
 26'-0" x 11'-9 1/2"

Drawing Number: AC-S-26.00-4

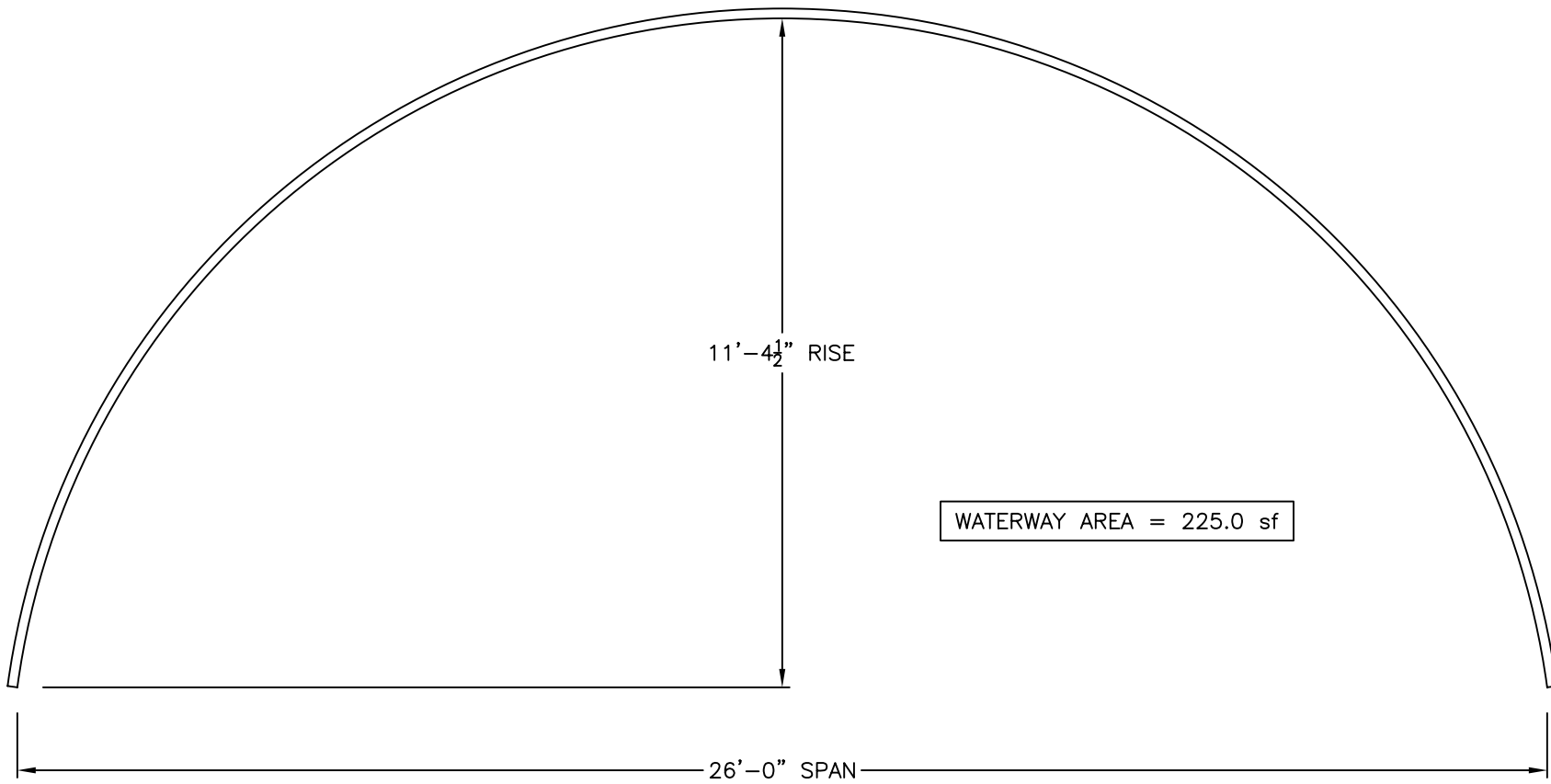
Page Number: 1 OF 1

Date Drawn: 6/4/08

Drawn By: JCH

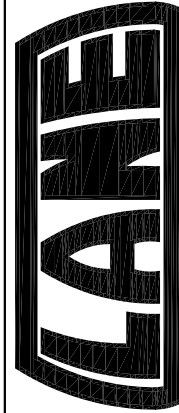
NOTES:

1. DIMENSIONS ARE SHOWN TO THE INSIDE OF THE CORRUGATION CRESTS.
2. DIMENSIONS ARE SUBJECT TO MANUFACTURING TOLERANCES.
3. PLATE LAYOUT WILL BE DETERMINED BY MANUFACTURER.
4. ALL REINFORCING PER MANUFACTURERS REQUIREMENTS.



NOTES:

1. DIMENSIONS ARE SHOWN TO THE INSIDE OF THE CORRUGATION CRESTS.
2. DIMENSIONS ARE SUBJECT TO MANUFACTURING TOLERANCES.
3. PLATE LAYOUT WILL BE DETERMINED BY MANUFACTURER.
4. ALL REINFORCING PER MANUFACTURERS REQUIREMENTS.



LANE ENTERPRISES, INC.

STEEL STRUCTURAL PLATE

ARCH CULVERT DETAIL

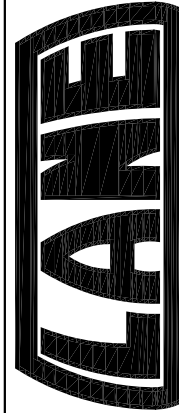
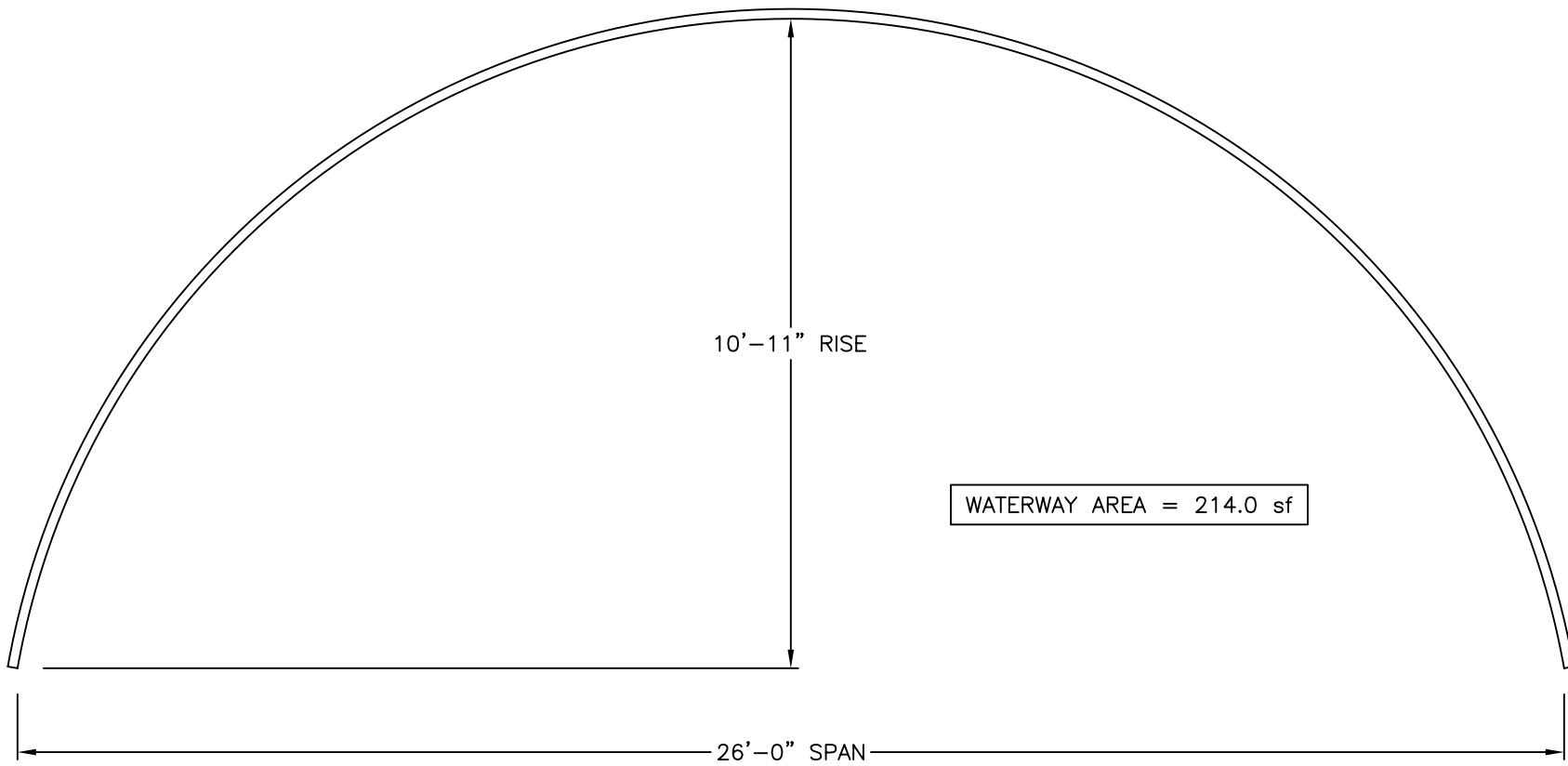
26'-0" x 11'-4 1/2"

Drawing Number: AC-S-26.00-5

Page Number: 1 OF 1

Date Drawn: 6/4/08

Drawn By: JCH



LANE ENTERPRISES, INC.

STEEL STRUCTURAL PLATE

ARCH CULVERT DETAIL

26'-0" x 10'-11"

Drawing Number: AC-S-26.00-6

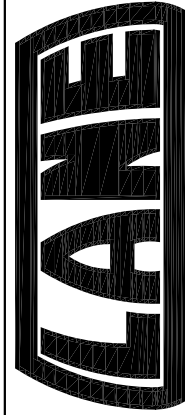
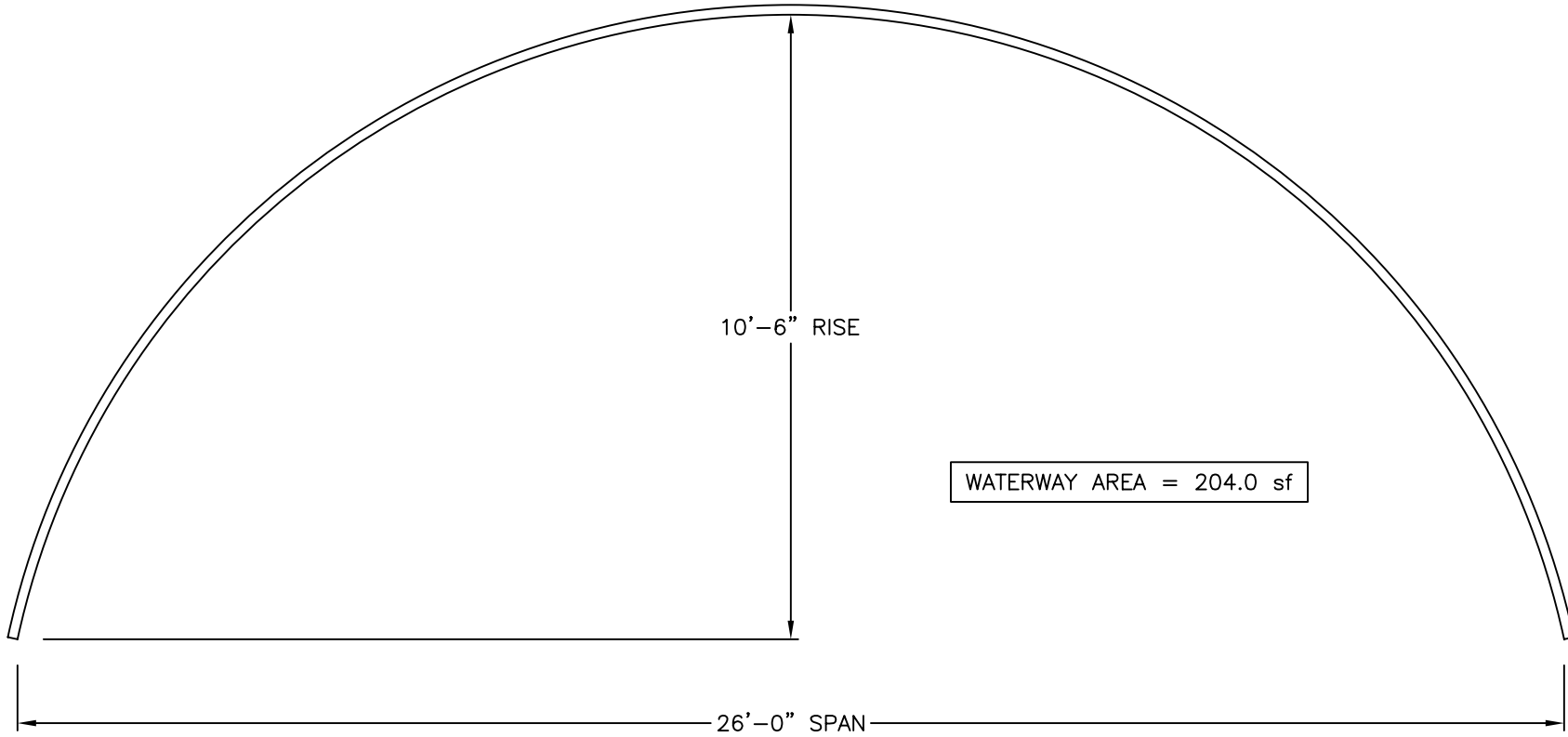
Page Number: 1 OF 1

Date Drawn: 6/4/08

Drawn By: JCH

NOTES:

1. DIMENSIONS ARE SHOWN TO THE INSIDE OF THE CORRUGATION CRESTS.
2. DIMENSIONS ARE SUBJECT TO MANUFACTURING TOLERANCES.
3. PLATE LAYOUT WILL BE DETERMINED BY MANUFACTURER.
4. ALL REINFORCING PER MANUFACTURERS REQUIREMENTS.



LANE ENTERPRISES, INC.

STEEL STRUCTURAL PLATE

ARCH CULVERT DETAIL

26'-0" x 10'-6"

Drawing Number: AC-S-26.00-7

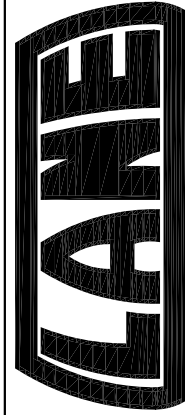
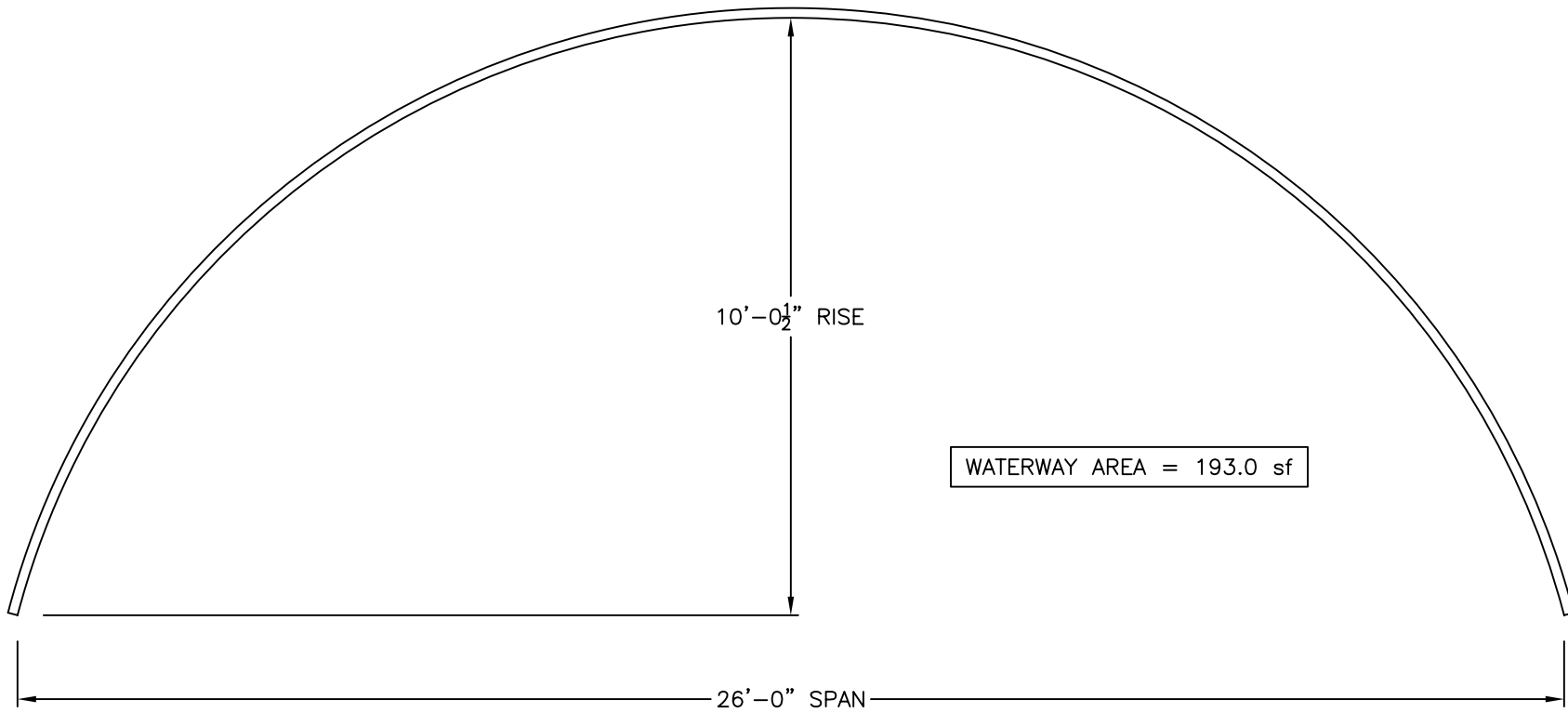
Page Number: 1 OF 1

Date Drawn: 6/4/08

Drawn By: JCH

NOTES:

1. DIMENSIONS ARE SHOWN TO THE INSIDE OF THE CORRUGATION CRESTS.
2. DIMENSIONS ARE SUBJECT TO MANUFACTURING TOLERANCES.
3. PLATE LAYOUT WILL BE DETERMINED BY MANUFACTURER.
4. ALL REINFORCING PER MANUFACTURERS REQUIREMENTS.



LANE ENTERPRISES, INC.

STEEL STRUCTURAL PLATE

ARCH CULVERT DETAIL

26'-0" x 10'-0 1/2"

Drawing Number: AC-S-26.00-8

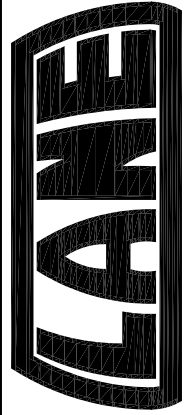
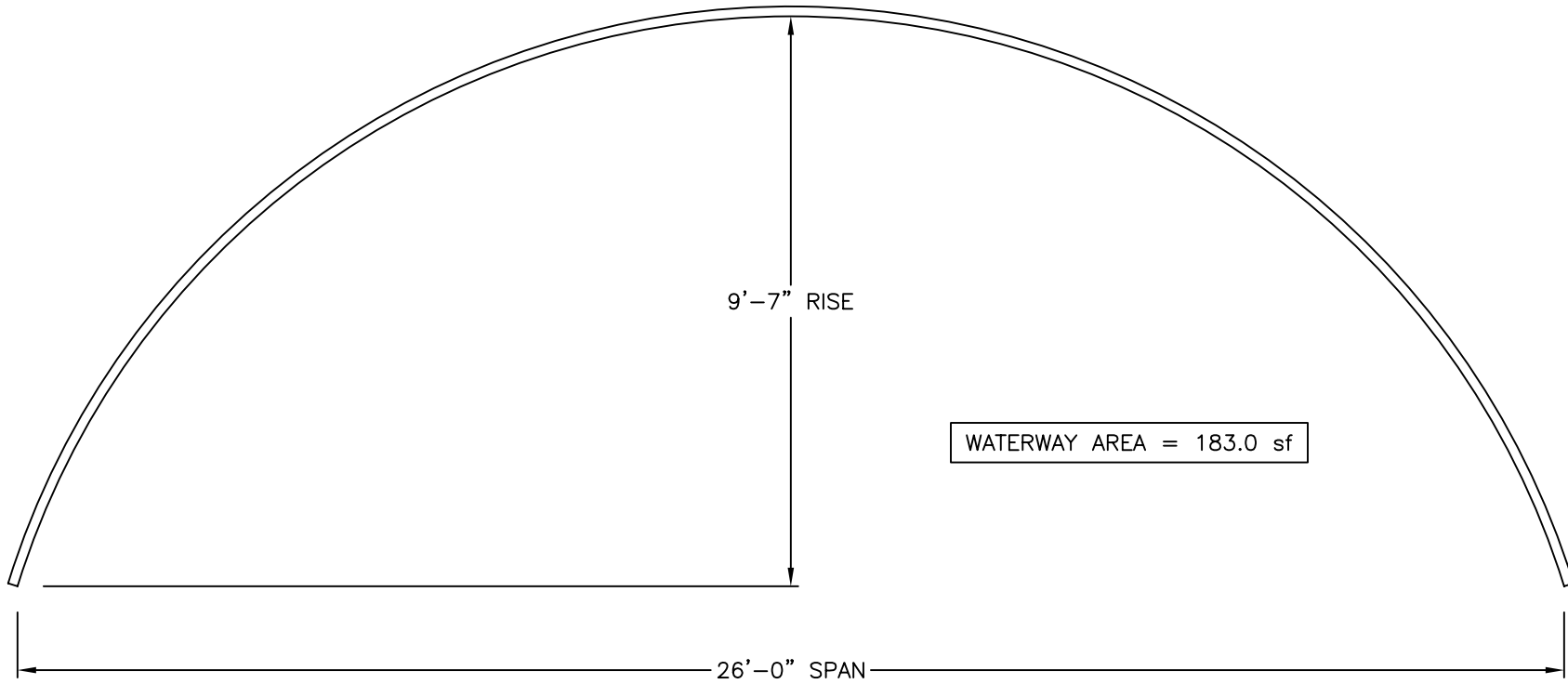
Page Number: 1 OF 1

Date Drawn: 6/4/08

Drawn By: JCH

NOTES:

1. DIMENSIONS ARE SHOWN TO THE INSIDE OF THE CORRUGATION CRESTS.
2. DIMENSIONS ARE SUBJECT TO MANUFACTURING TOLERANCES.
3. PLATE LAYOUT WILL BE DETERMINED BY MANUFACTURER.
4. ALL REINFORCING PER MANUFACTURERS REQUIREMENTS.



LANE ENTERPRISES, INC.

STEEL STRUCTURAL PLATE

ARCH CULVERT DETAIL

26'-0" x 9'-7"

NOTES:

1. DIMENSIONS ARE SHOWN TO THE INSIDE OF THE CORRUGATION CRESTS.
2. DIMENSIONS ARE SUBJECT TO MANUFACTURING TOLERANCES.
3. PLATE LAYOUT WILL BE DETERMINED BY MANUFACTURER.
4. ALL REINFORCING PER MANUFACTURERS REQUIREMENTS.

Drawing Number: AC-S-26.00-9

Page Number: 1 OF 1

Date Drawn: 6/4/08

Drawn By: JCH