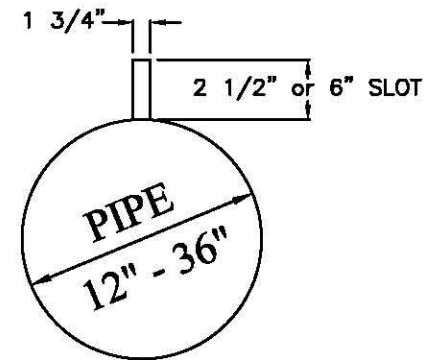


SLOTTED DRAIN DETAILS



END VIEW



LANE ENTERPRISES, INC.

TITLE  
**SLOTTED DRAIN  
 DETAIL**

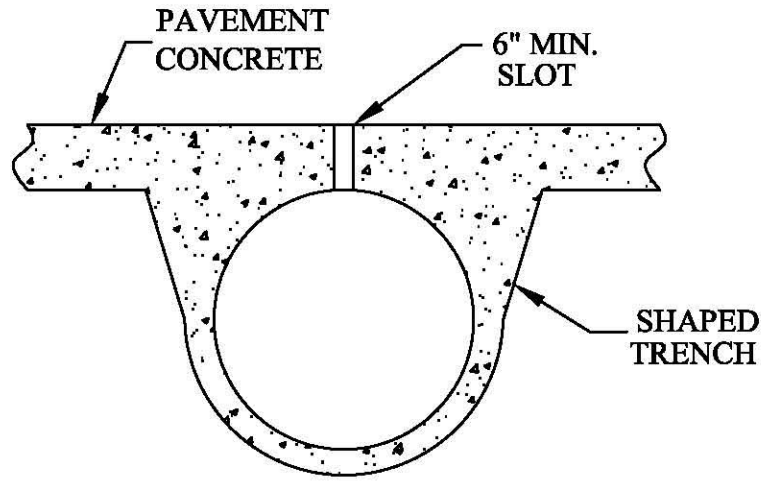
DRAWN BY: BLC

DRAWING NO.  
 A0128

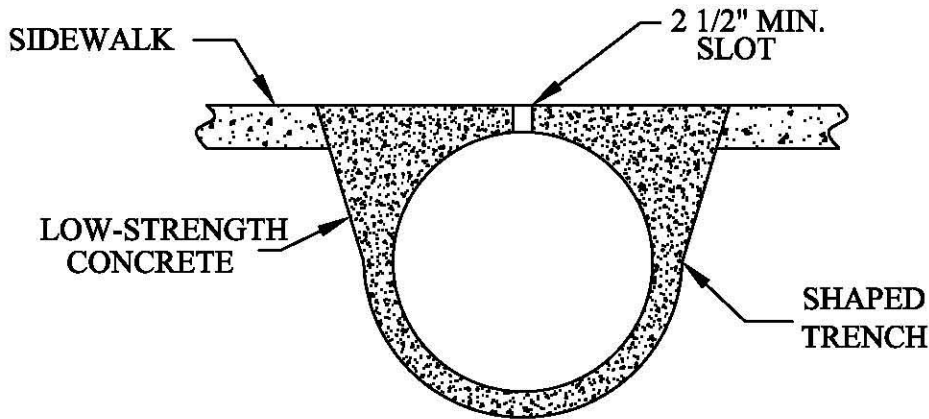
PAGE  
 1 OF 2

DATE  
 12/04/00

NO.	DATE	BY
REVISIONS		



VEHICULAR LOADING



BIKE/PEDESTRIAN TRAFFIC



LANE ENTERPRISES, INC.

TITLE  
SLOTTED DRAIN  
INSTALLATION

DRAWN BY: BLC

DRAWING NO. A0128	PAGE 2 OF 2	DATE 12/04/00
----------------------	----------------	------------------

NO.	DATE	BY
REVISIONS		