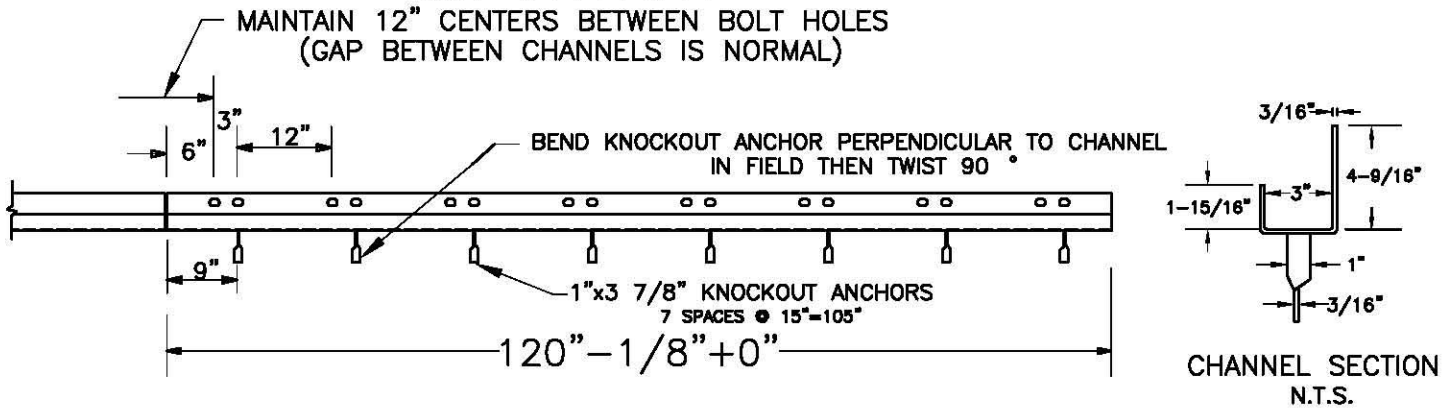
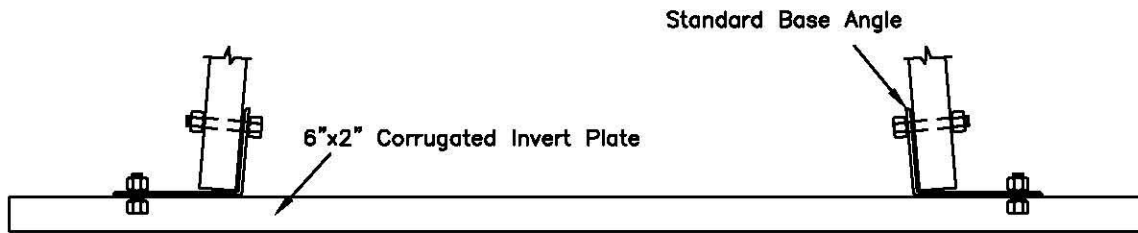


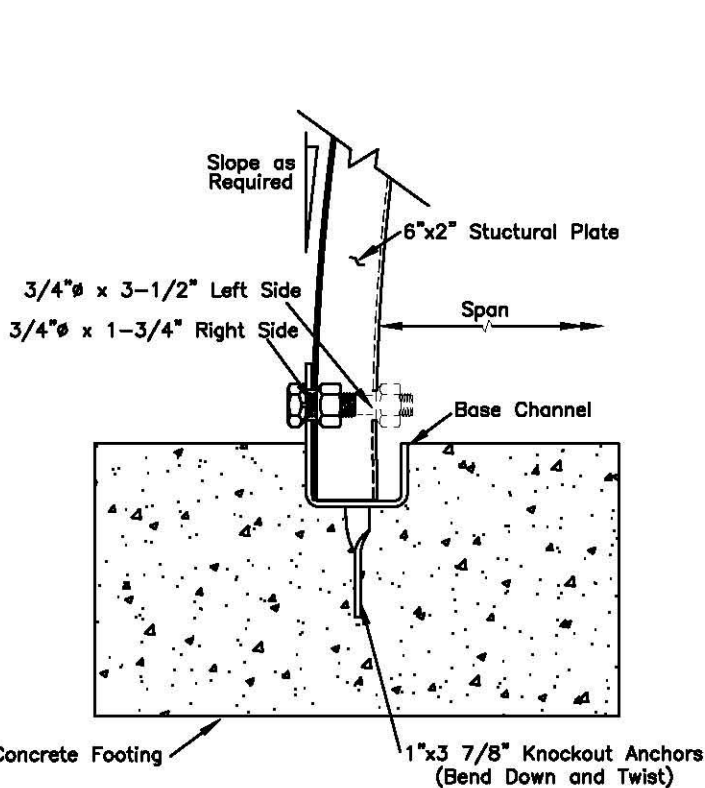
# IMPORTANT



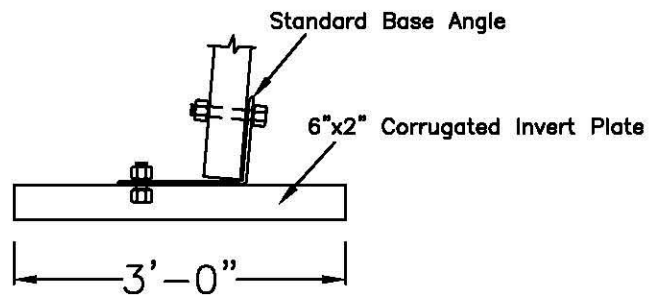
UNBALANCED CHANNEL DETAIL



CORRUGATED INVERT PLATE



CONCRETE FOUNDATION



CORRUGATED FOOTER PLATE



LANE ENTERPRISES, INC.

TITLE  
FOUNDATION OPTIONS FOR  
STEEL STRUCTURAL PLATE

DRAWN BY: BLC

DRAWING NO.  
A0266

PAGE  
1 OF 1

DATE  
08/23/05

NO.	DATE	BY
REVISIONS		