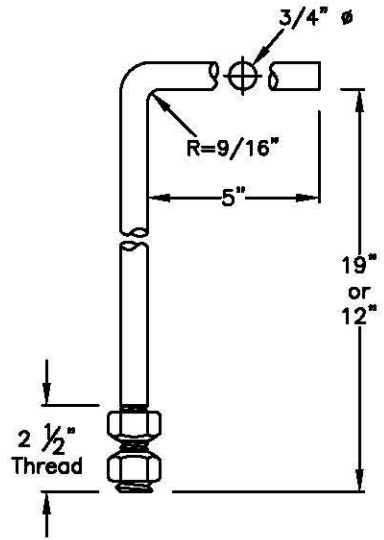
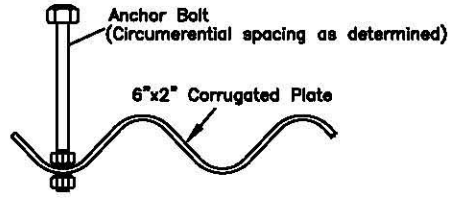


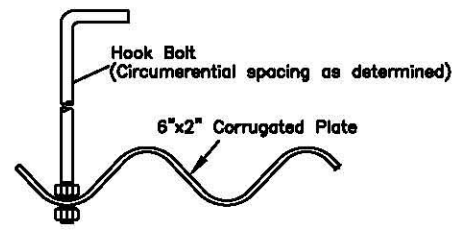
TYPICAL ANCHOR BOLT



TYPICAL HOOK BOLT



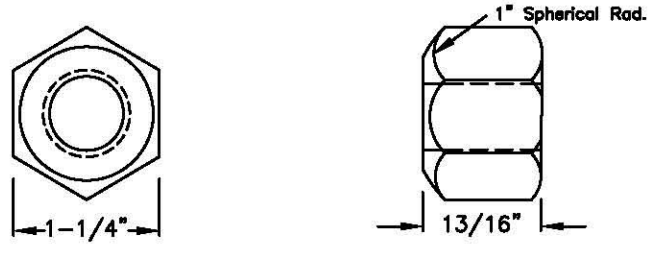
ANCHOR BOLT PLACEMENT



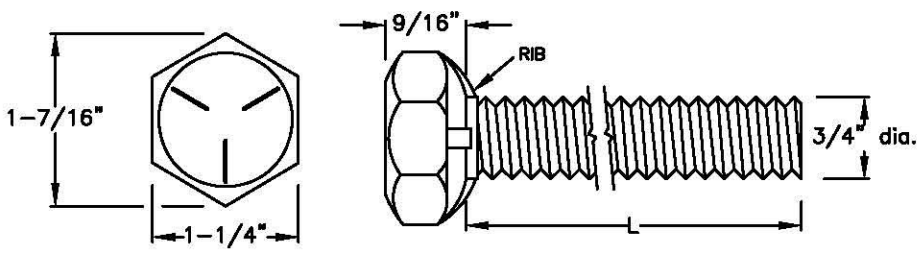
HOOK BOLT PLACEMENT

Anchor & Hook Bolts

Anchor Bolts are available for anchoring the ends of structural plate conduits into concrete headwalls or other end treatment (when required). Material for these special 3/4" bolts conform to ASTM Spec A307, and A563 Grade C for the nuts. Galvanizing of bolts and nuts conforms to ASTM A153. Other sizes are available.



STRUCTURAL PLATE NUT



STRUCTURAL PLATE BOLT

Bolts

High strength 3/4" diameter bolts & nuts provided with Lane Structural Plate Structures conform to the requirements of ASTM A449 and ASTM A563 Grade C, respectively. They are hot dip galvanized to meet the requirements of ASTM A153.



LANE ENTERPRISES, INC.

TITLE
BOLT DETAILS FOR STEEL STRUCTURAL PLATE
 DRAWN BY: BLC

DRAWING NO. A0267 PAGE 1 OF 1 DATE 08/23/05

NO.	DATE	BY
1	1/28/09	JCH
REVISIONS		