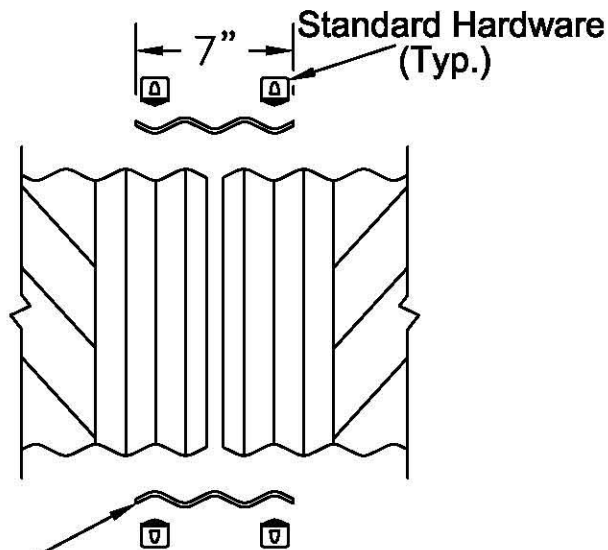


Standard Hardware
(Typ.)

ELEVATION VIEW



7" Wide Band

SECTION VIEW

Standard Hardware No Gasket

- Dimensions are subject to manufacturing tolerances.
- Band and Hardware shall be galvanized and in conformance with ASTM A760 unless otherwise noted.
- Flat gasket shall be in accordance with ASTM D1056.



LANE ENTERPRISES, INC.

TITLE

7" WIDE BAND
STANDARD DETAIL

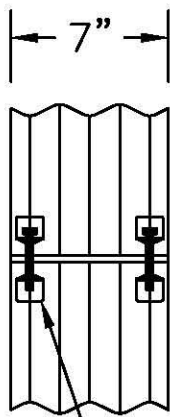
DRAWN BY: BLC

DRAWING NO.
A0268

PAGE
1 OF 2

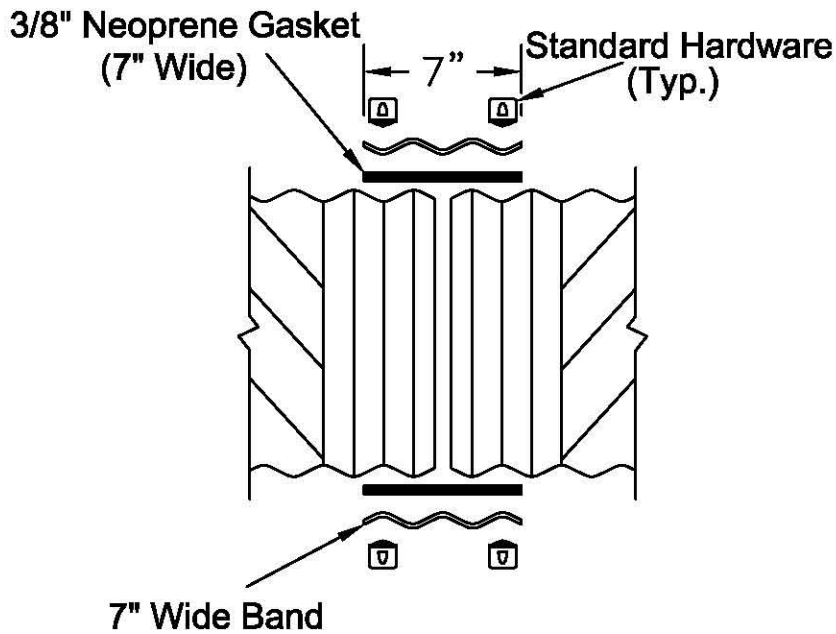
DATE
09/30/05

NO.	DATE	BY
REVISIONS		



Standard Hardware
(Typ.)

ELEVATION VIEW



SECTION VIEW

Standard Hardware 7" Gasket

- Dimensions are subject to manufacturing tolerances.
- Band and Hardware shall be galvanized and in conformance with ASTM A760 unless otherwise noted.
- Flat gasket shall be in accordance with ASTM D1056.



LANE ENTERPRISES, INC.

TITLE

7" WIDE BAND
STANDARD DETAIL

DRAWN BY: BLC

DRAWING NO.
A0268

PAGE
2 OF 2

DATE
09/30/05

NO.	DATE	BY
REVISIONS		