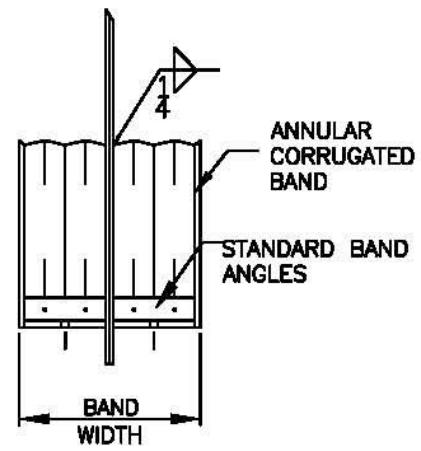


TYPICAL TWO-PIECE DIAPHRAGM



SECTION A-A

TYPICAL DIMENSIONS OF STEEL DIAPHRAGMS

Pipe Dia. (In.)	Gage of Collar	BAND WIDTH (IN.)	DIMENSIONS OF DIAPHRAGM	
			W (In.)	H (In.)
12	16	7"	64	32 1/2
15	16	7"	64	34
18	16	7"	69 1/4	35 1/2
21	16	7"	72	37
24	14	7"	72	38 1/2
30	14	7"	82 1/2	41 1/2
36	12	7"	88	44 1/2
42	12	10 1/2"	93 1/4	47 1/2
48	12	10 1/2"	96	50 1/2
54	12	10 1/2"	106 1/2	53 1/2
60	10	10 1/2"	112	56 1/2
66	10	10 1/2"	117 1/4	59 1/2
72	10	10 1/2"	120	62 1/2
84	8	10 1/2"	136	68 1/2

NOTES:

1. Collar size based on placement @ pipe joints (20" c/c).
2. Band is corrugated to match rerolled end of pipe being joined.
3. Each diaphragm is delivered with (4) 1/2" x 6" bolts and (8) 3/8"x1" bolts



LANE ENTERPRISES, INC.

TITLE  
TYPICAL DETAILS FOR A TWO-PIECE DIAPHRAGM (ANTI-SEEP COLLAR)

DRAWN BY: BLC

NO.	DATE	BY
REVISIONS		