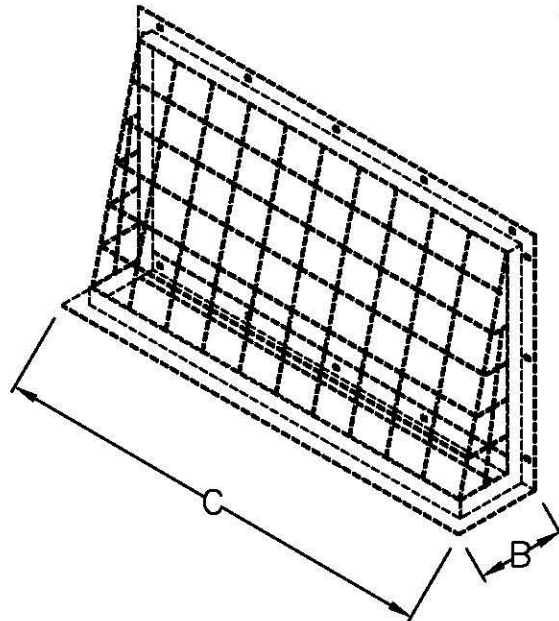


DIMENSIONS:

A: \_\_\_\_\_  
 B: \_\_\_\_\_  
 C: \_\_\_\_\_  
 D: \_\_\_\_\_  
 E: \_\_\_\_\_  
 F: \_\_\_\_\_  
 G: \_\_\_\_\_  
 H: \_\_\_\_\_

MATERIALS:

FLAT PLATE: \_\_\_\_\_  
 BAR STOCK: \_\_\_\_\_  
 HOLE SIZE: \_\_\_\_\_  
 COATING: \_\_\_\_\_  
 HINGED: \_\_\_\_\_  
 TYPE OF WELD: \_\_\_\_\_



LANE ENTERPRISES, INC.

TITLE

TRASH RACK  
 LANE MODEL #145

DRAWN BY: BLC

DRAWING NO.  
 A0145

PAGE  
 1 OF 1

DATE  
 02/02/01