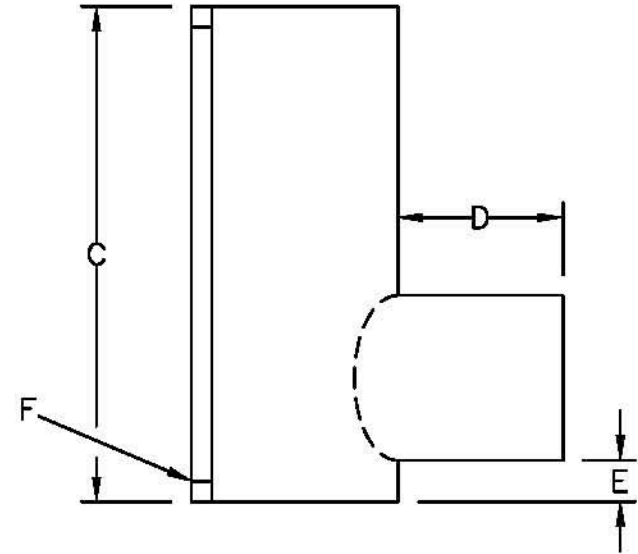


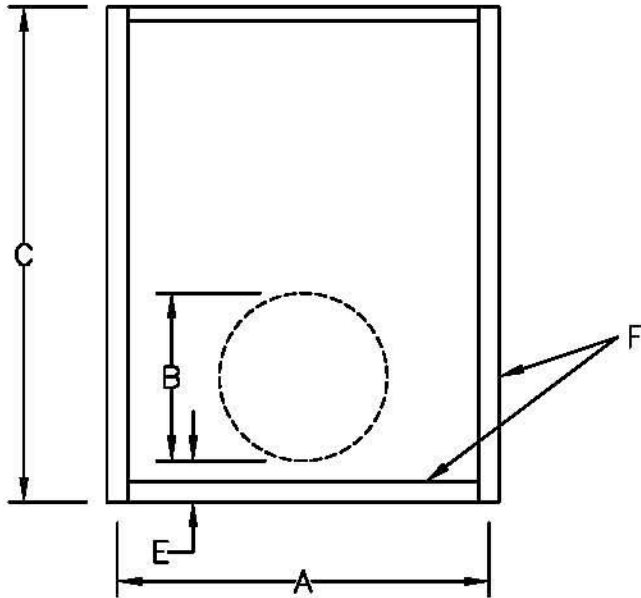
PLAN VIEW



SIDE VIEW

DIMENSIONS/MATERIAL

- A: _____
- B: _____
- C: _____
- D: _____
- E: _____
- F: _____



FRONT ELEVATION

Standard Sizes	
Riser Width	Stub Diameter
21"	12"
24"	15"
30"	21"
36"	24"
42"	30"



LANE ENTERPRISES, INC.

TITLE
FLASHBOARD RISER
TYPE A

DRAWN BY: BLC

NO.	DATE	BY
REVISIONS		

DRAWING NO. A0217	PAGE 1 OF 1	DATE 8/1/03
----------------------	----------------	----------------