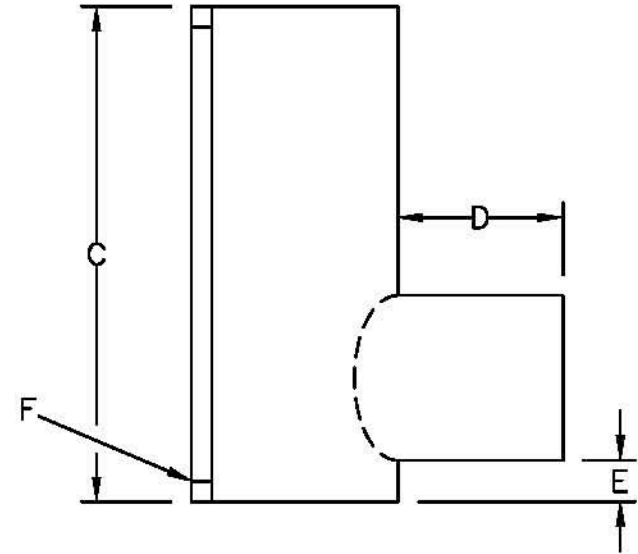
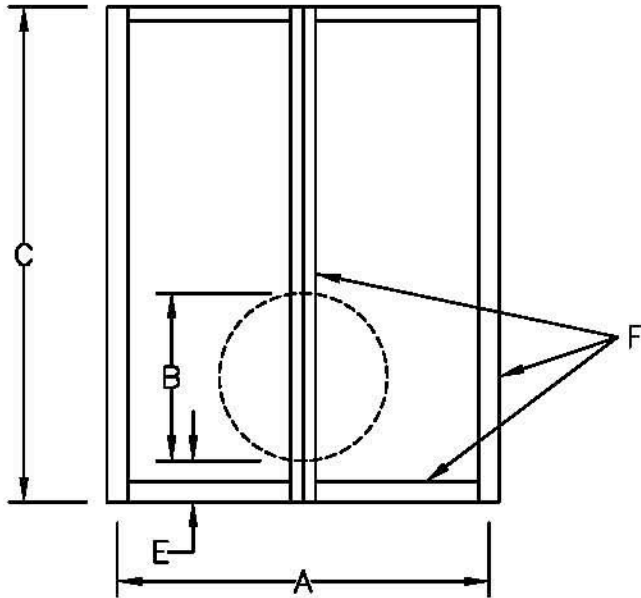


PLAN VIEW



SIDE VIEW



FRONT ELEVATION

DIMENSIONS/MATERIAL

- A: _____
- B: _____
- C: _____
- D: _____
- E: _____
- F: _____
- G: _____

Standard Sizes	
Riser Width	Stub Diameter
48"	36"
60"	42"
72"	48"
84"	54"



LANE ENTERPRISES, INC.

TITLE
FLASHBOARD RISER
TYPE B

DRAWN BY: BLC

NO.	DATE	BY
REVISIONS		

DRAWING NO. A0218 PAGE 1 OF 1 DATE 8/1/03