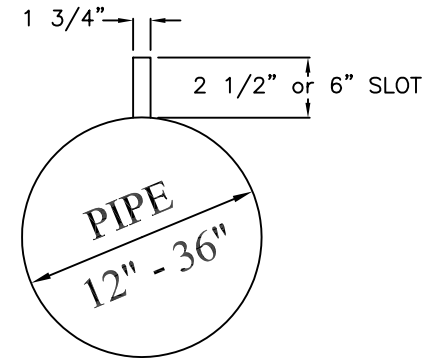
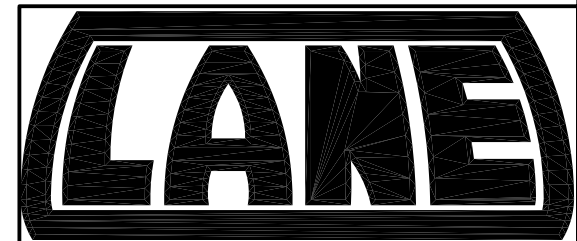


SLOTTED DRAIN DETAILS



END VIEW



LANE ENTERPRISES, INC.

TITLE

SLOTTED DRAIN  
DETAIL

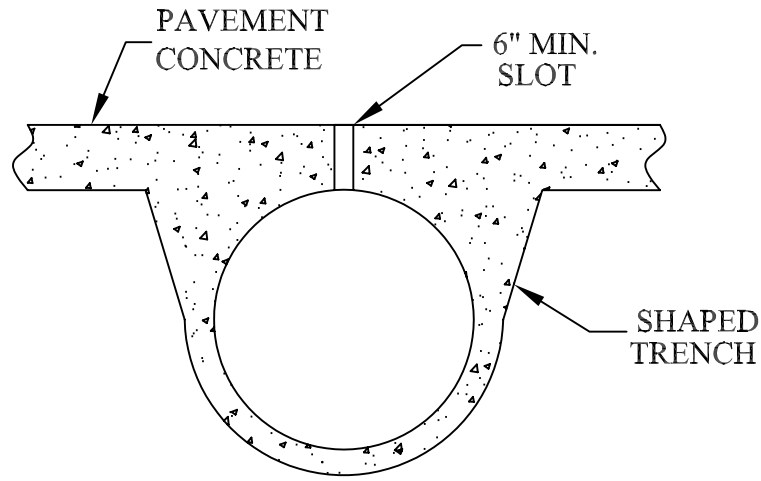
DRAWN BY: BLC

DRAWING NO. A0128

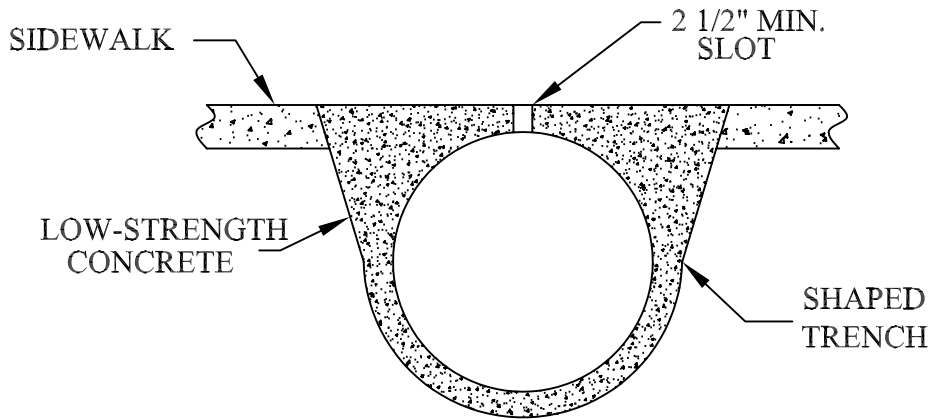
PAGE 1 OF 2

DATE 12/04/00

NO.	DATE	BY
REVISIONS		



VEHICULAR LOADING



BIKE/PEDESTRIAN TRAFFIC



LANE ENTERPRISES, INC.

TITLE  
 SLOTTED DRAIN  
 INSTALLATION

DRAWN BY: BLC

DRAWING NO. A0128	PAGE 2 OF 2	DATE 12/04/00
----------------------	----------------	------------------

NO.	DATE	BY
REVISIONS		