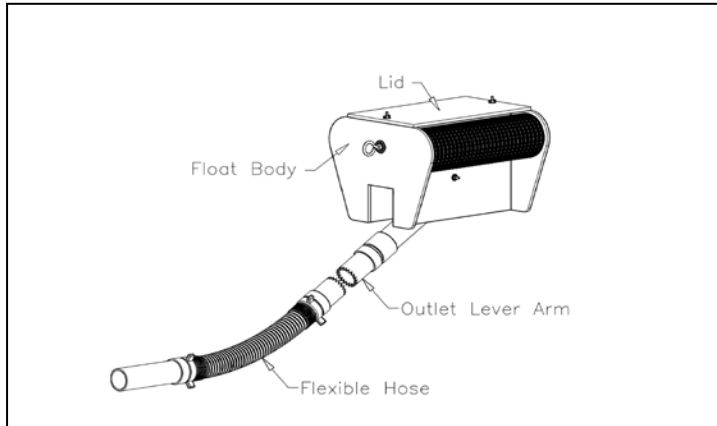




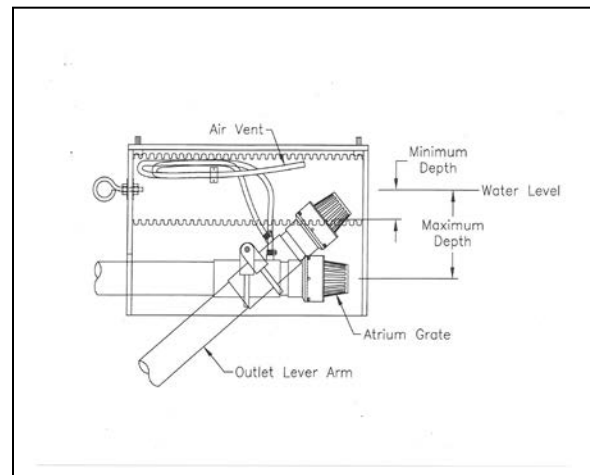
1.5" Reverse Q Pond Outlet Bill of Materials



The Lane Reverse Q Pond Outlet is designed to work with virtually any pond design and outlet system. While the parts included with the 1.5" RC are designed to attach to a 1.5" diameter smooth wall outlet pipe, it can be field adapted to any type of outlet diameter and type.

Below is a list of the parts that come with the RC Outlet Lever Arm, beginning with the upper part of the arm which is the atrium grate. This grate is designed to virtually eliminate the potential for clogging from debris. The bottom of the Outlet Lever Arm incorporates a flexible adapter which attaches to the 1.5" diameter smooth wall outlet. Connections other than to a 1.5" smoothwall outlet will require adaptation in the field.

- (1) 2" NDS Atrium Grate (Included)
 - (3) 1/4" HDPE Orifice Plates (Included)
 - (1) 1.5" x 2" Sch. 40 PVC Reducing Coupling (Included)
 - (2) Short sections 1 1/2" Sch. 40 PVC as part of assembled pivot arm (Included)
 - (2) 1.5" Sch. 40 PVC Couplings (Included)
 - (1) 1.5' length of 1.5" Sch. 40 PVC pipe (Included)
 - (1) 1.5" Sch. 40 PVC Spigot Female Adapter (Included)
 - (1) 1.5" Sch. 40 PVC Male Adapter (Included)
 - (1) 1.5" Sch. 40 PVC Pipe to reach from skimmer to riser (Not Included)
 - (2) 1.5" Sch. 40 PVC Spigot Female Adapters (Included)
 - (2) Sch. 40 PVC Swivel Female Fittings, (Included)
 - 2' of 1.5" PVC Water-Suction Hose, (Included)
 - (2) 1.5" S.S. Hose Clamps (Included)
 - (1) Flexible Adapter 1.5" to 1.5" (Included)
 - (1) 3" long 1/2" Sch. 40 PVC pipe (Included)
 - (1) 1/2" Sch. 40 PVC Male Adapter, (Vent Tube, Included)
 - 2' of 1" x 3/4" Black Vinyl Tubing (Included)
 - (1) 1" S.S. Hose Clamp (Vent Tube Clamp, Included)
- Rev. 4/30/14



For more information about Lane's Patent Pending Reverse Q Pond Outlet, go to the Lane Enterprises website.

www.lane-enterprises.com