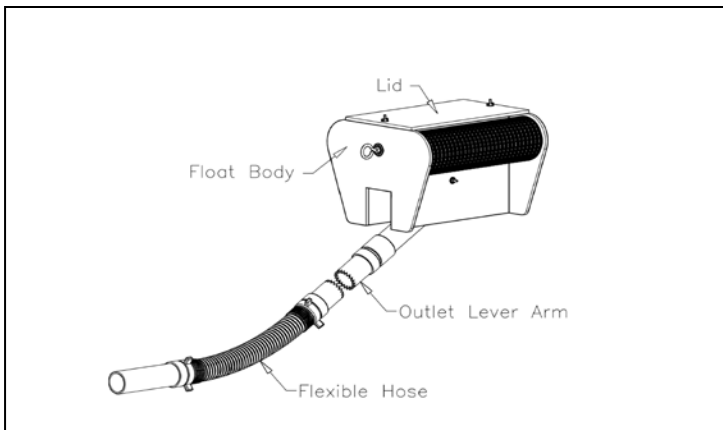


2.5" Reverse Q Pond Outlet Bill of Materials

LANE

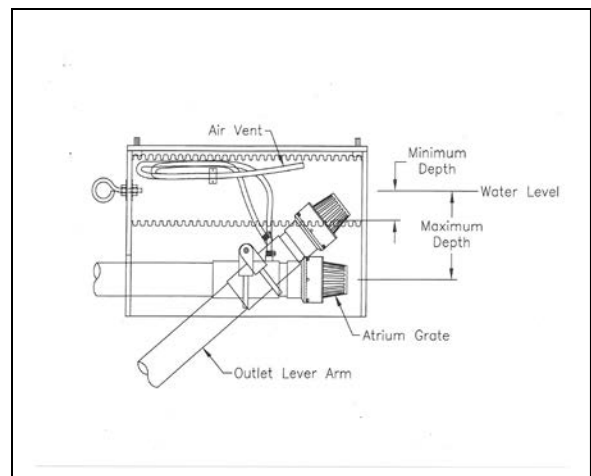


The Lane Reverse Q Pond Outlet is designed to work with virtually any pond design and outlet system. While the parts included with the 2.5" RC are designed to attach to a 3" diameter smooth wall outlet pipe, it can be field adapted to any type of outlet diameter and type.

Below is a list of the parts that come with the RC Outlet Lever Arm, beginning with the upper part of the arm which is the atrium grate. This grate is designed to virtually eliminate the potential for clogging from debris. The bottom of the Outlet Lever Arm incorporates a Fernco flexible adapter which attaches to the 3" diameter smooth wall outlet. Connections other than to a 3" smoothwall outlet will require adaptation in the field.

- (1) 3" NDS Atrium Grate (Included)
- (3) 1/4" HDPE Orifice Plates (Included)
- (1) NDS #315 Adapter, (Included)
- (2) Short lengths of 3" Sch. 40 PVC, (Included)
- (2) 3" Sch. 40 PVC Couplings (Included)
- (1) 1.5' length of 3" Sch. 40 PVC pipe (Included)
- (1) 3" Sch. 40 PVC Spigot Male Adapters (Included)
- (3) 3" Sch. 40 PVC Female Adapter (Included)
- (1) 3" Sch. 40 PVC Pipe to reach from skimmer to riser (Not Included)
- (2) 3" Barb Fittings, (Included)
- 3' of 2.5" PVC Water-Suction Hose, (Included)
- (2) 3" S.S. Hose Clamps, (Included)
- 3" Sch. 40 PVC pipe to reach from skimmer to riser, (Not Included)
- (1) Flexible 3" to 3" Coupling, (Included)
- (1) 9" long 1/2" Sch. 40 PVC pipe, (Included)

Rev.12/8/14



For more information about Lane's Patent Pending Reverse Q Pond Outlet, go to the Lane Enterprises website.
www.lane-enterprises.com