

GENERAL NOTES:

1. There are eight different sizes of the Lane Reverse Q Pond Outlet. The Reverse Q model number refers to the diameter of the Sch. 40 PVC outlet lever arm.

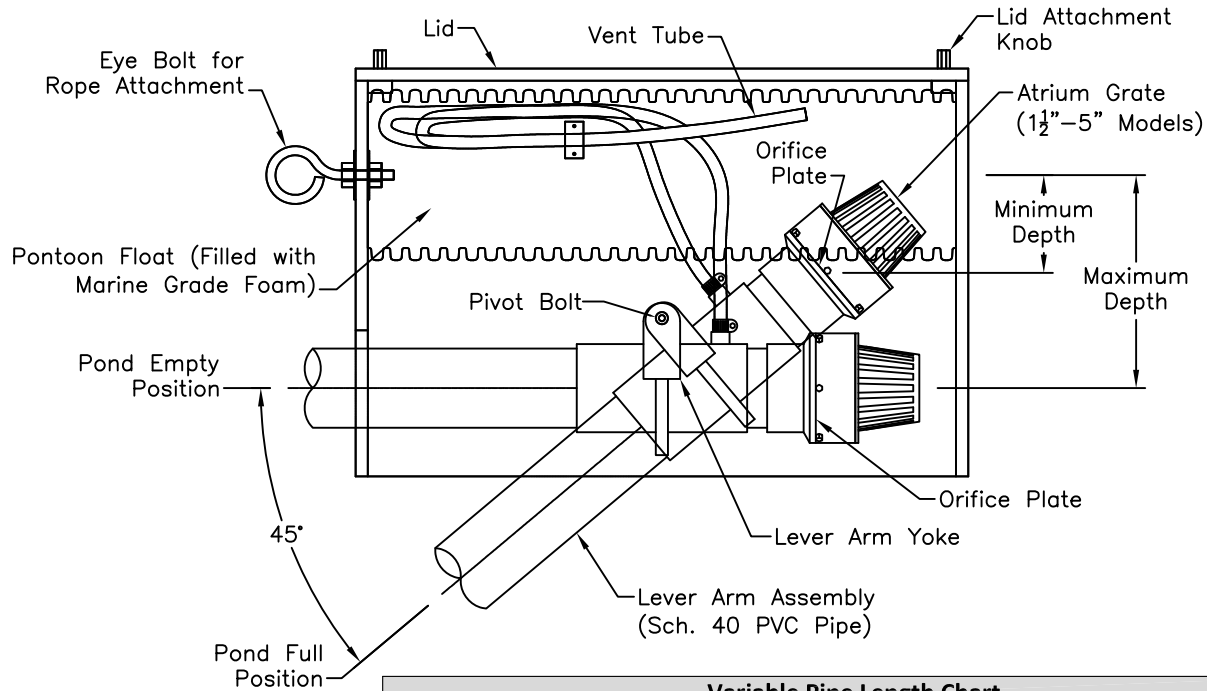
2. Reverse Q Pond Outlets are sized with the Reverse Q sizing spreadsheet, which can be accessed and downloaded at [Reverse Q Sizing Spreadsheet](#)

3. The Reverse Q Pond Outlet is designed to discharge twice as much water when the pond is almost empty than when it is full. This requires that the outlet lever arm move through a 45 degree range, regardless of pond depth. The variable lever arm length "L", is dependent on pond depth as shown in the table below.

4. Calculated discharge rates are dependent on proper installation.

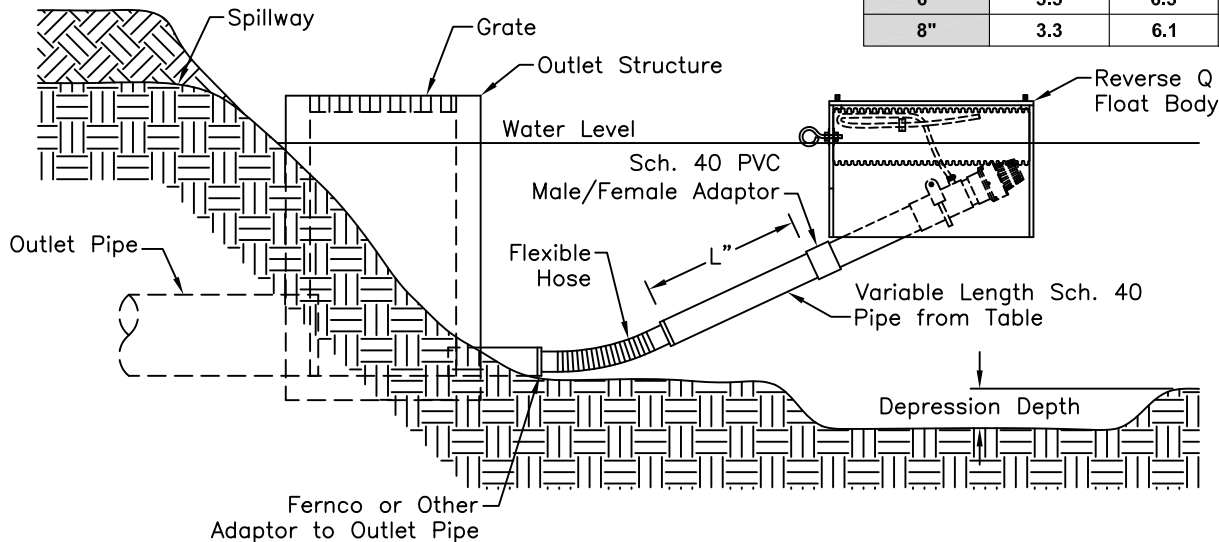
5. The depression under the Reverse Q is designed to allow for proper drainage of the pond, and to eliminate stress on the lever arm. Do not over dig the depression in anticipation of sediment buildup. When properly installed, the lever arm will be level with the pond outlet.

6. For installation and maintenance instructions, please visit [Lane Reverse Q](#)



Reverse Q Pond Outlet
by Lane Enterprises
(717)761-8175
www.lane-enterprise.com

Variable Pipe Length Chart								
Maximum Pond Depth (Ft.)								
RQ Size	6	8	10	12	14	16	18	20
1.5"	6.5	9.3	12.1	15.0	17.8	20.6	23.5	26.3
2"	6.2	9.1	11.9	14.7	17.5	20.4	23.2	26.0
2.5"	6.0	8.8	11.6	14.5	17.3	20.1	23.0	25.8
3"	5.5	8.3	11.1	14.0	16.8	19.6	22.5	25.3
4"	5.0	7.8	10.6	13.5	16.3	19.1	22.0	24.8
5"	4.2	7.1	9.9	12.7	15.5	18.4	21.2	24.0
6"	3.5	6.3	9.1	12.0	14.8	17.6	20.5	23.3
8"	3.3	6.1	8.9	11.8	14.6	17.4	20.3	23.1



RQ Depression	
Size	Depth
1.5"	9"
2"	9"
2.5"	7"
3"	12"
4"	14"
5"	17"
6"	20"
8"	24"



REVERSE Q - POND OUTLET RISER

www.lane-enterprises.com
(717)761-8175

LANE ENTERPRISES, INC.

SCALE: NTS

DRAWN BY: JDS

DATE: 2/28/13

DRAWING NUMBER:

PAGE: