

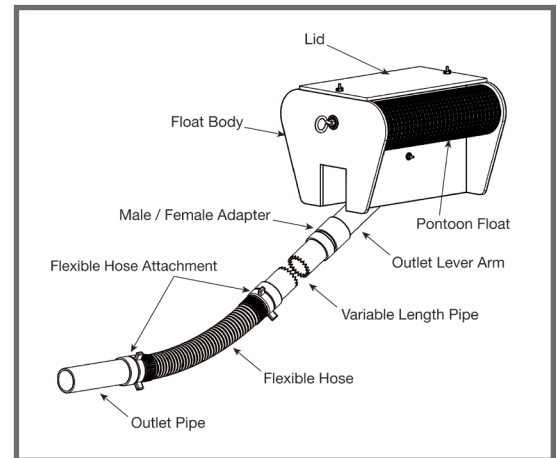
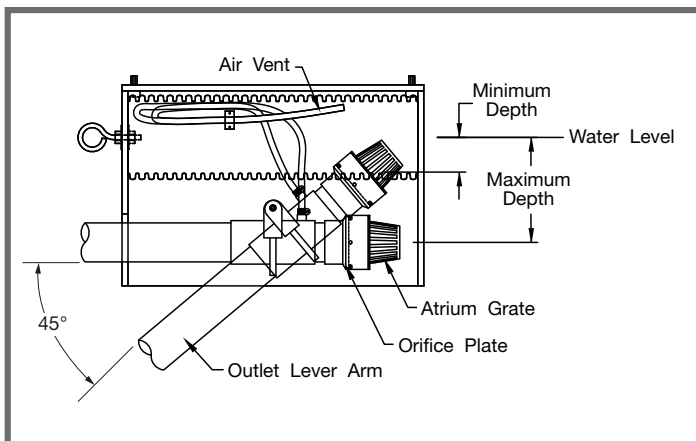
Reverse Q Pond Outlet

Bill of Materials (1.5", 2", 2.5", 3", 4", 5", 6" and 8")

The Lane Reverse Q Pond Outlet (RQ) is designed to work with virtually any pond design and outlet system. While the parts included with the RQ are designed to attach to this size diameter smooth wall outlet pipe, whether that pipe runs straight through the berm or outlets into a vertical riser, it can be field adapted to any size diameter and outlet type.

The following pages list the parts that come with the RQ Outlet Lever Arm, beginning with the upper part of the arm which is the atrium grate. This grate is designed to virtually eliminate the potential of clogging from debris. The bottom of the Outlet Lever Arm incorporates a Fernco® flexible coupling which attaches to the smooth wall outlet. Connections other than the above specified smooth wall outlet diameter will require adaptation in the field.

Unlike the smaller sizes, the 6" and 8" RQ is large enough and does not need the atrium grate to protect the Outlet Lever Arm from clogging. The .25" orifice plate is factory mounted directly into the throat of a Sch. 40 PVC coupling.



For more information about Lane's Reverse Q Pond Outlet, visit: lane-enterprises.com.

1.5" RQ Pond Outlet

Bill of Materials

Qty	Part	Size	Included
1	NDS Atrium Grate	2"	yes
3	HDPE Orifice Plates	.25"	yes
1	Sch. 40 PVC Reducing Coupling	1.5" x 2"	yes
2	Sch. 40 PVC Short Sections (as part of assembled pivot arm)	1.5"	yes
2	Sch. 40 PVC Couplings	1.5"	yes
1	Sch. 40 PVC Pipe	1.5' of 1.5"	yes
1	Sch. 40 PVC Spigot Female Adapter	1.5"	yes
1	Sch. 40 PVC Male Adapter	1.5"	yes
1	Sch. 40 PVC Pipe (to reach from skimmer to riser)	1.5"	no
2	Sch. 40 PVC Spigot Female Adapters	1.5"	yes
2	Sch. 40 PVC Swivel Female Fittings		yes
1	PVC Water-Suction Hose	2' of 1.5"	yes
2	Stainless Steel Hose Clamps	1.5"	yes
1	Flexible Coupling	1.5" to 1.5"	yes
1	Sch. 40 PVC Pipe	3" of .5"	yes
1	Sch. 40 PVC Male Adapter (vent tube)	.5"	yes
1	Black Vinyl Tubing	2' of 1" x .75"	yes
1	Stainless Steel Hose Clamp (vent tube clamp)	1"	yes

2" RQ Pond Outlet

Bill of Materials

Qty	Part	Size	Included
1	NDS Atrium Grate	3"	yes
3	HDPE Orifice Plates	.25"	yes
1	NDS #315 Adapter		yes
1	Sch. 40 PVC Reducing Coupling	3" x 2"	yes
1	Sch. 40 PVC Short Length	3"	yes
2	Sch. 40 PVC Short Sections (as part of assembled pivot arm)	2"	yes
1	Sch. 40 PVC Coupling	2"	yes
1	Sch. 40 PVC Pipe	1.5' of 2"	yes
2	Sch. 40 PVC Spigot Female Adapters	2"	yes
2	Sch. 40 PVC Male Adapters	2"	yes
1	Sch. 40 PVC Pipe (to reach from skimmer to riser)	2"	no
2	Barb Fittings	2"	yes
1	PVC Water-Suction Hose	2' of 2"	yes
2	Stainless Steel Hose Clamps	2"	yes
1	Flexible Coupling	2" to 2"	yes
1	Sch. 40 PVC Pipe	9" of .5"	yes
1	Sch. 40 PVC Male Adapter (vent tube)	.5"	yes
1	Black Vinyl Tubing	2' of 1" x .75"	yes
1	Stainless Steel Hose Clamp	1"	yes

2.5" RQ Pond Outlet

Bill of Materials

Qty	Part	Size	Included
1	NDS Atrium Grate	3"	yes
3	HDPE Orifice Plates	.25"	yes
1	NDS #315 Adapter		yes
2	Sch. 40 PVC Short Sections	3"	yes
2	Sch. 40 PVC Couplings	3"	yes
1	Sch. 40 PVC Pipe	1.5' of 3"	yes
1	Sch. 40 PVC Spigot Male Adapter	3"	yes
3	Sch. 40 PVC Female Adapters	3"	yes
1	Sch. 40 PVC Pipe (to reach from skimmer to riser)	3"	no
2	Barb Fittings	3"	yes
1	PVC Water-Suction Hose	3' of 2.5"	yes
2	Stainless Steel Hose Clamps	3"	yes
1	Flexible Coupling	3" to 3"	yes
1	Sch. 40 PVC Pipe	9" of .5"	yes

3" RQ Pond Outlet

Bill of Materials

Qty	Part	Size	Included
1	NDS Atrium Grate	4"	yes
3	HDPE Orifice Plates	.25"	yes
1	NDS #3P12 Adapter		yes
2	Sch. 40 PVC Short Sections	3"	yes
2	Sch. 40 PVC Couplings	3"	yes
1	Sch. 40 PVC Pipe	2' of 3"	yes
1	Sch. 40 PVC Spigot Male Adapter	3"	yes
3	Sch. 40 PVC Female Adapters	3"	yes
1	Sch. 40 PVC Pipe (to reach from skimmer to riser)	3"	no
2	Barb Fittings	3"	yes
1	PVC Water-Suction Hose	2' of 3"	yes
2	Stainless Steel Hose Clamps	3"	yes
1	Flexible Coupling	3" to 3"	yes
1	Sch. 40 PVC Pipe	13" of .5"	yes

4" RQ Pond Outlet

Bill of Materials

Qty	Part	Size	Included
1	NDS Atrium Grate	4"	yes
3	HDPE Orifice Plates	.25"	yes
1	NDS #3P16 Adapter		yes
4	Sch. 40 PVC Short Sections	4"	yes
2	Sch. 40 PVC Couplings	4"	yes
1	Sch. 40 PVC Spigot Male Adapter	4"	yes
3	Sch. 40 PVC Female Adapters	4"	yes
1	Sch. 40 PVC Pipe (to reach from skimmer to riser)	4"	no
2	Barb Fittings	4"	yes
1	PVC Water-Suction Hose	4.5' of 4"	yes
2	Stainless Steel Hose Clamps	4"	yes
1	Flexible Coupling	4" to 4"	yes
1	Sch. 40 PVC Pipe	14" of .5"	yes

5" RQ Pond Outlet

Bill of Materials

Qty	Part	Size	Included
1	NDS Atrium Grate	6"	yes
3	HDPE Orifice Plates	.25"	yes
2	Sch. 40 PVC Couplings	5"	yes
4	Sch. 40 PVC Short Sections	5"	yes
1	Sch. 40 PVC Spigot Male Adapter	5"	yes
3	Sch. 40 PVC Female Adapters	5"	yes
1	Sch. 40 PVC Pipe (to reach from skimmer to riser)	5"	no
2	Barb Fittings	5"	yes
1	PVC Water-Suction Hose	7' of 5"	yes
2	Stainless Steel Hose Clamps	5"	yes
1	Flexible Coupling	5" to 5"	yes
1	Sch. 40 PVC Pipe	17" of .5"	yes

6" RQ Pond Outlet

Bill of Materials

Qty	Part	Size	Included
3	HDPE Orifice Plates	.25"	yes
4	Sch. 40 PVC Short Sections	6"	yes
3	Sch. 40 PVC Couplings	6"	yes
1	Sch. 40 PVC Spigot Male Adapter	6"	yes
3	Sch. 40 PVC Female Adapters	6"	yes
1	Sch. 40 PVC Pipe (to reach from skimmer to riser)	6"	no
2	Barb Fittings	6"	yes
1	PVC Water-Suction Hose	7' of 6"	yes
2	Stainless Steel Hose Clamps	6"	yes
1	Flexible Coupling	6" to 6"	yes
1	Sch. 40 PVC Pipe	18" of .5"	yes

8" RQ Pond Outlet

Bill of Materials

Qty	Part	Size	Included
3	HDPE Orifice Plates	.25"	yes
2	Sch. 40 PVC Short Sections	8"	yes
3	Sch. 40 PVC Couplings	8"	yes
1	Sch. 40 PVC Pipe	3' of 8"	yes
1	Sch. 40 PVC Spigot Male Adapter	8"	yes
3	Sch. 40 PVC Female Adapters	8"	yes
1	Sch. 40 PVC Pipe (to reach from skimmer to riser)	8"	no
2	Barb Fittings	8"	yes
1	PVC Water-Suction Hose	7' of 8"	yes
2	Stainless Steel Hose Clamps	8"	yes
1	Flexible Coupling	8" to 8"	yes
1	Sch. 40 PVC Pipe	21" of .5"	yes

Unlike the smaller sizes, the 6" and 8" RQ is large enough and does not need the atrium grate to protect the Outlet Lever Arm from clogging. The .25" orifice plate is factory mounted directly into the throat of a schedule 40 PVC coupling.