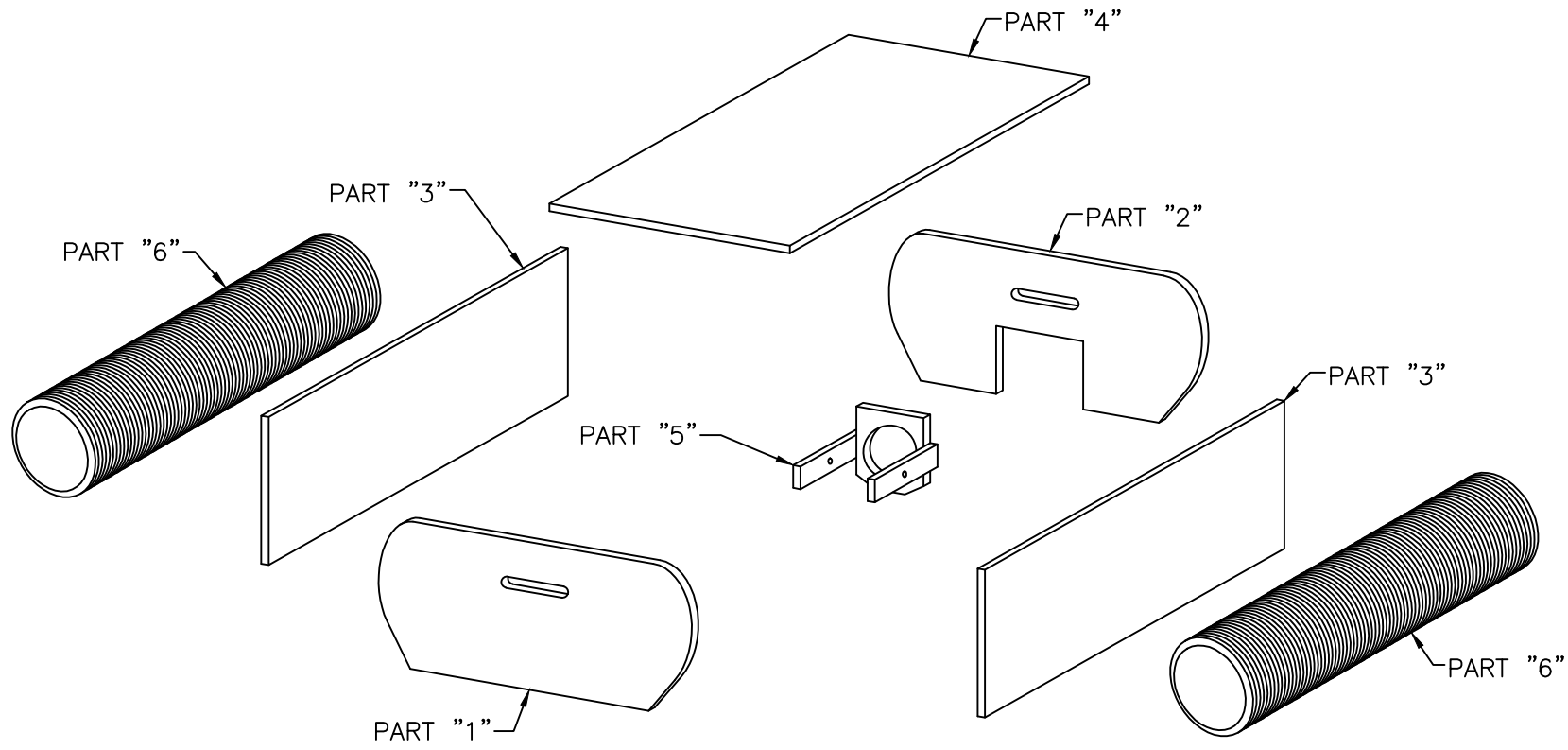


ASSEMBLED VIEW

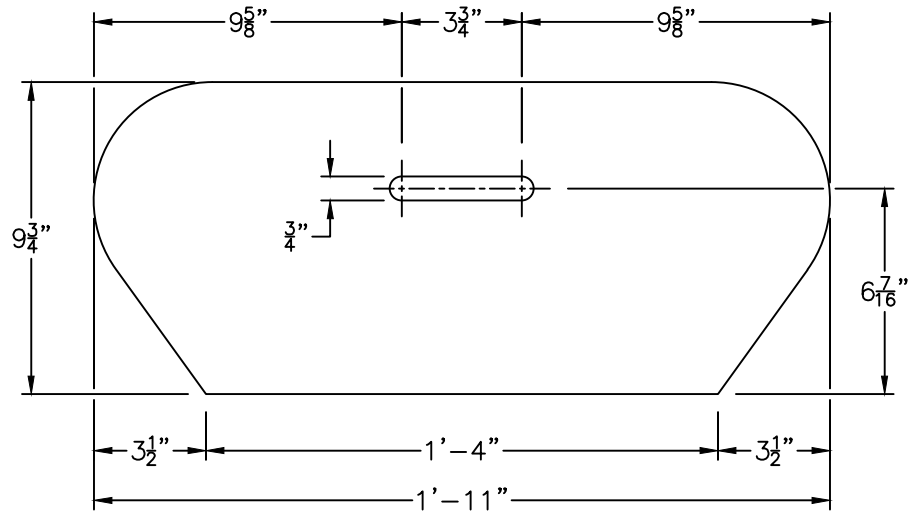


EXPLODED VIEW

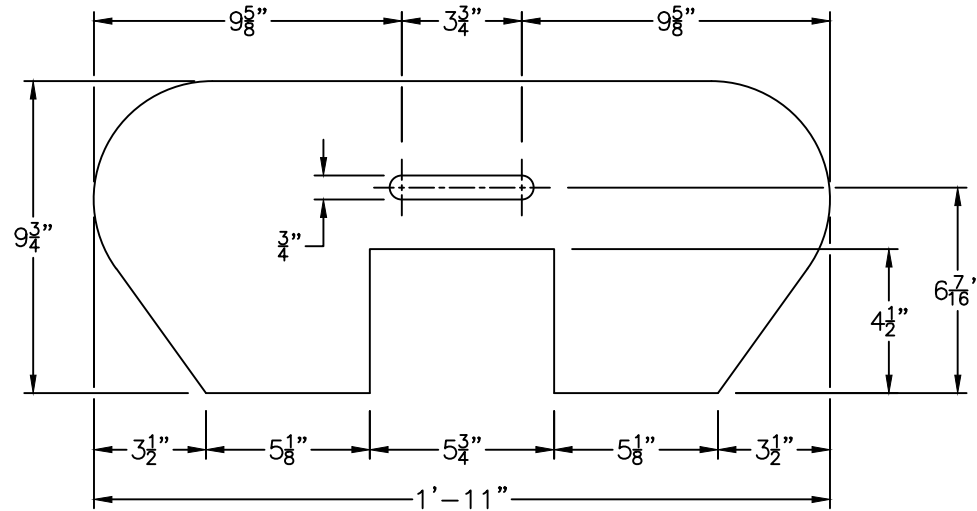
CONSTANT Q

LANE ENTERPRISES, INC.

SCALE:	NTS
DRAWN BY:	JDS
DATE:	1/23/17
DRAWING NUMBER:	



PART "1"



PART "2"



PART 1 & 2  
DIMENSIONS

LANE ENTERPRISES, INC.

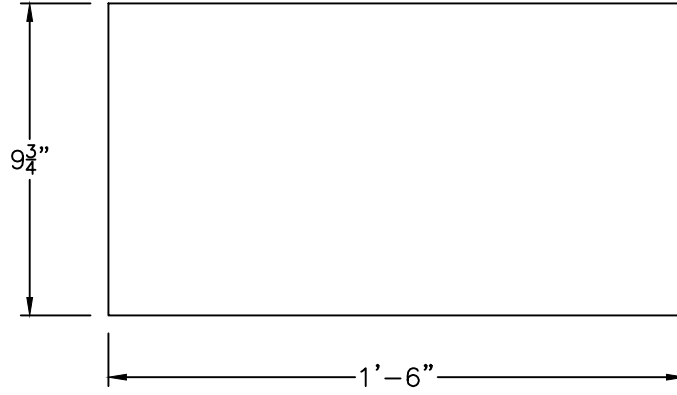
SCALE: NTS

DRAWN BY: JDS

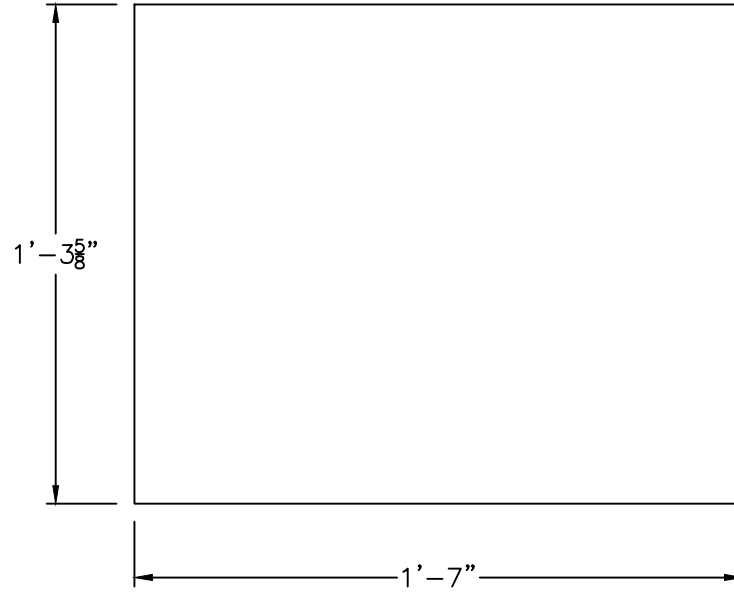
DATE: 1/23/17

DRAWING NUMBER:

PAGE:



PART "3"



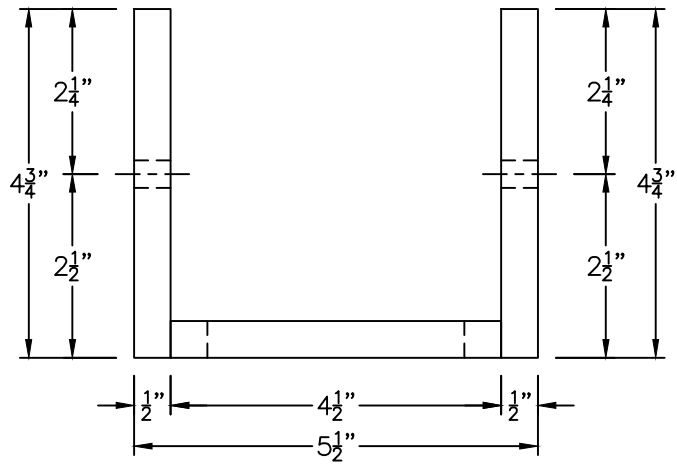
PART "4"



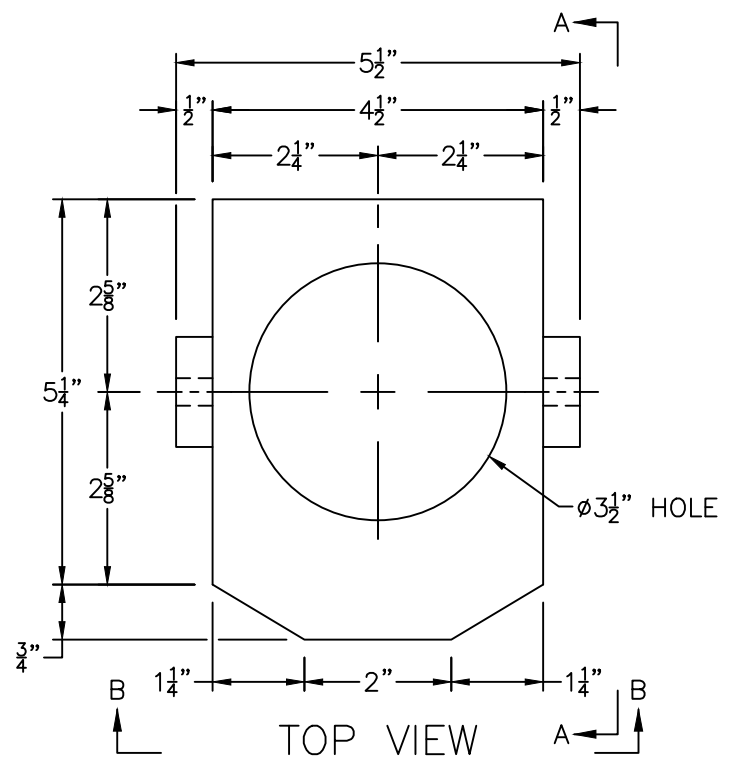
PART 3 & 4  
DIMENSIONS

LANE ENTERPRISES, INC.

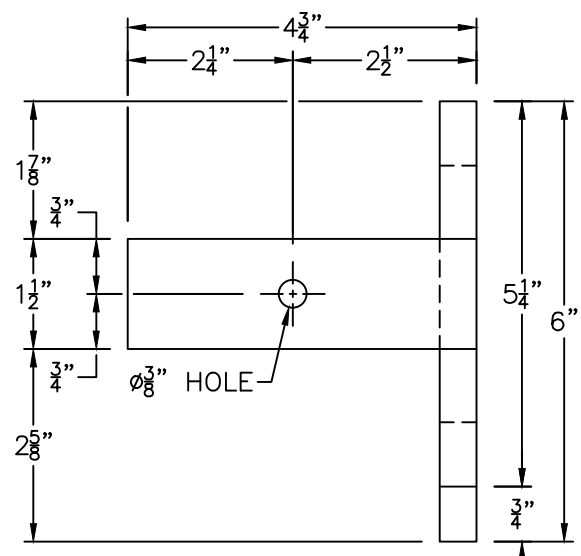
SCALE:	NTS
DRAWN BY:	JDS
DATE:	1/23/17
DRAWING NUMBER:	



SECTION B-B

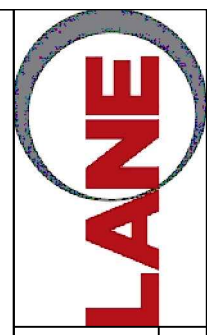


TOP VIEW



SECTION A-A

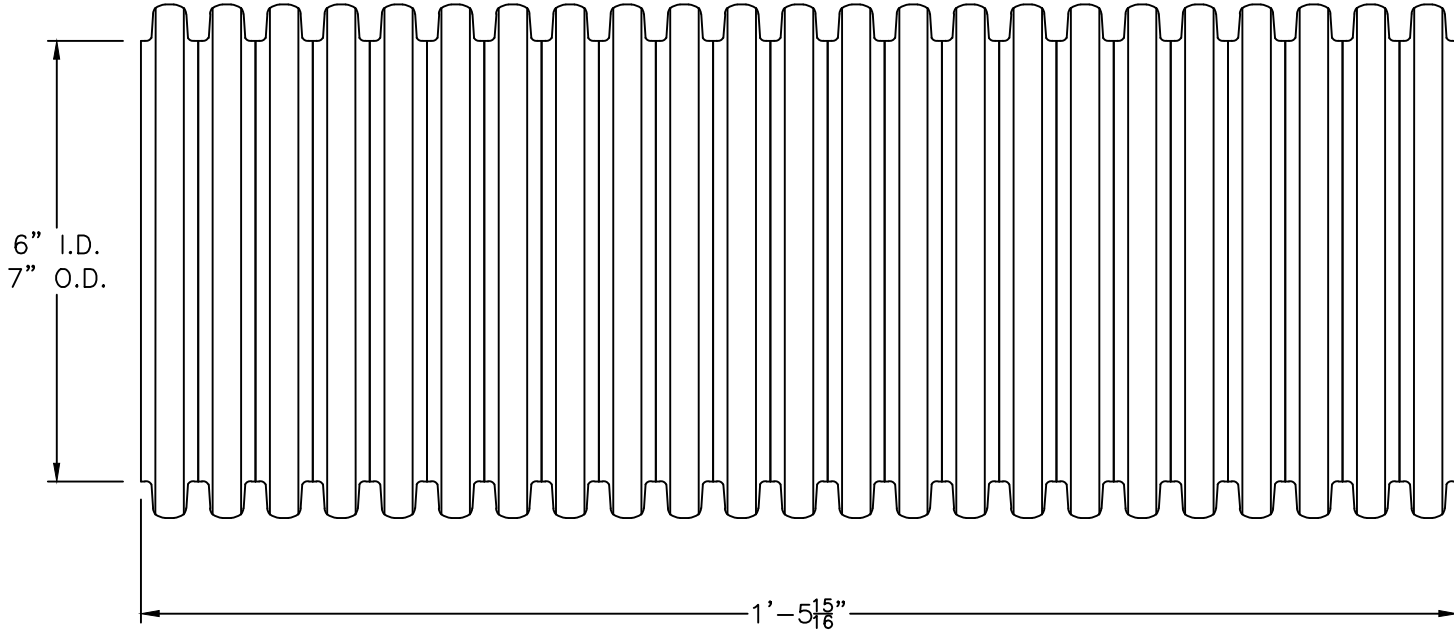
PART "5"  
DETAIL



PART 5  
DIMENSIONS  
LANE ENTERPRISES, INC.

SCALE:	NTS
DRAWN BY:	JDS
DATE:	1/23/17
DRAWING NUMBER:	
PAGE:	4 of 6

PART "6"  
DETAIL



SCALE:

NTS

DRAWN BY:

JDS

DATE:

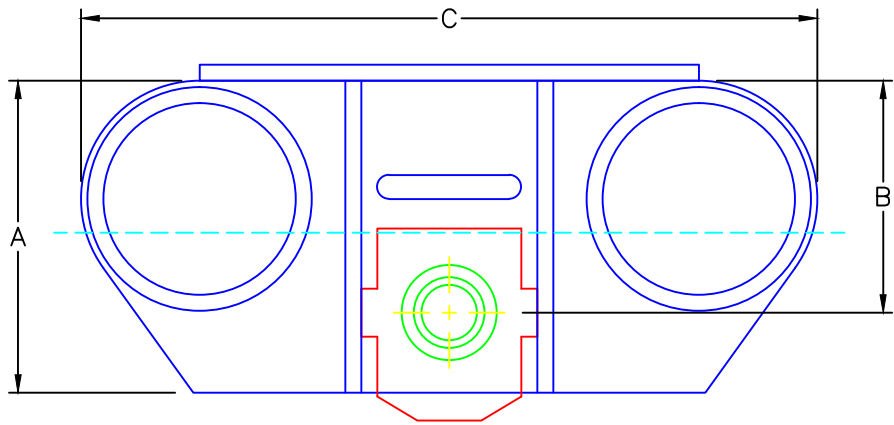
1/23/17

DRAWING NUMBER:

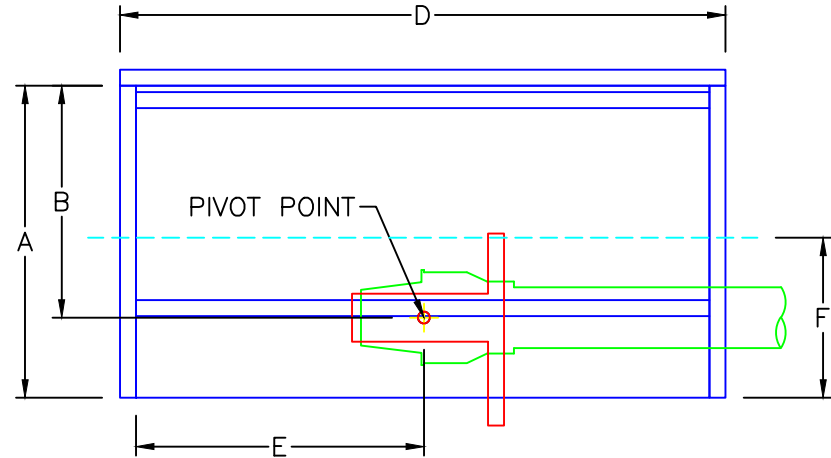
PART 3 & 4  
DIMENSIONS

LANE ENTERPRISES, INC.

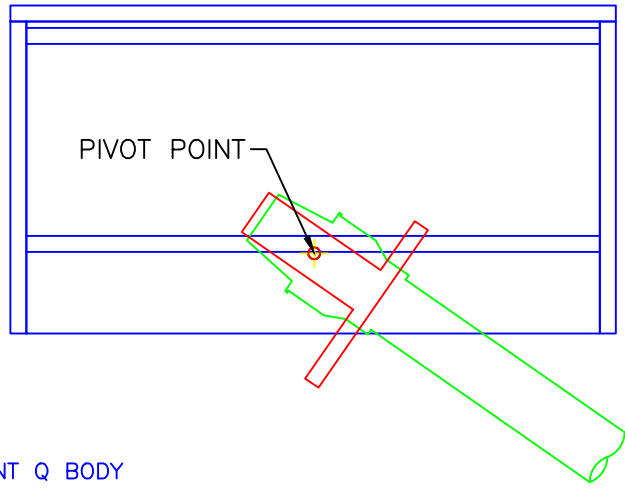




FRONT VIEW



SIDE VIEW



CONSTANT Q DIMENSIONS			
MODEL SIZE	1.50"	2.00"	2.50"
A	8.25"	9.00"	9.75"
B	6.25"	6.75"	7.25"
C	23.25"	23.25"	23.25"
D	19.00"	19.00"	19.00"
E	9.00"	9.00"	9.00"
F	3.50	4.20	5.00

- = CONSTANT Q BODY
- = CONSTANT Q YOKE
- = CONSTANT Q OUTLET
- = WATER LINE

CONSTANT Q DIMENSIONS

LANE ENTERPRISES, INC.

SCALE:	NTS
DRAWN BY:	JDS
DATE:	1/23/17
DRAWING NUMBER:	

PAGE: